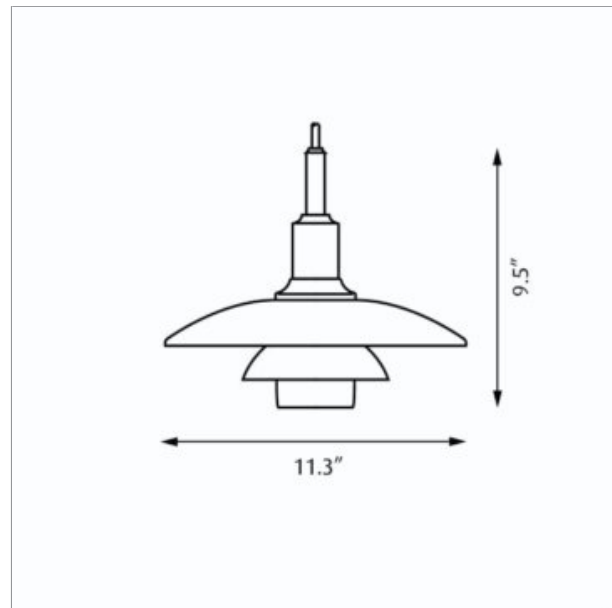


PH 3/2 Pendant



Design: Poul Henningsen

Concept: The fixture is designed based on the principle of a reflective three-shade system, which directs the majority of the light downwards. The shades are made of hand-blown opal three-layer glass, which is glossy on top and sandblasted matte on the underside, giving a soft and uniform light distribution.

Finish: Black chrome plated or high lustre chrome plated. White opal glass.

Material: Shades: Handblown white opal glass. Suspension: Black chrome plated or high lustre chrome plated, brass.

Mounting: Canopy: White. Cord type: 3-conductor, 18 AWG black PVC power cord. Cord length: 12'.

Weight: Max. 4 lbs.

Label: cULus, Dry location. IBEW.

Product code	Light source	Voltage	Finish
PH3/2-P	1/75W/A-19/IF medium	120V	BLK CHR PLA CHR

Info notes

I. All handblown opal glass shades are sandblasted on the undersides for uniform light distribution.

II. The comparable EU version has the following classification: Ingress Protection Code: IP20.

**louis
poulsen**