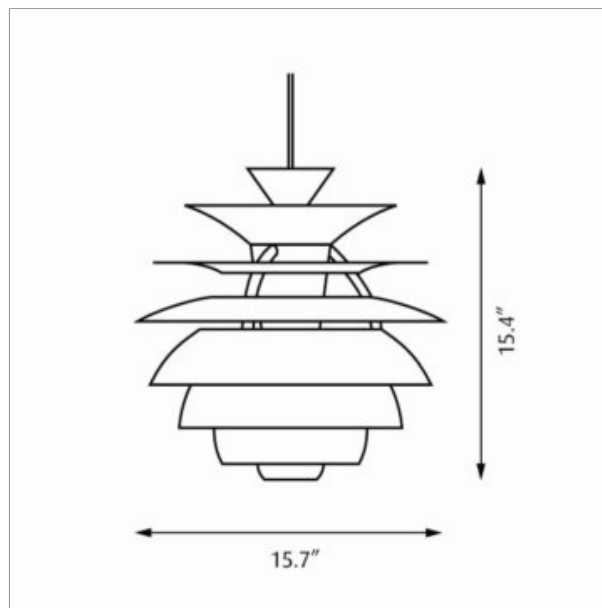


PH Snowball



Design: Poul Henningsen

Concept: The fixture emits comfortable glare-free diffuse light. Matte painted undersurfaces and glossy top surfaces result in an attractive reflection of the diffused light, creating uniform light distribution around the fixture. When the light is switched on, the top portion is illuminated while the bottom part remains dark.

Finish: White, wet painted.

Material: Shades: Spun aluminum. Frame: High lustre chrome plated, die cast aluminum. Housing: High lustre chrome plated, spun aluminum.

Mounting: Canopy: White. Cord type: 3-conductor, 18 AWG white PVC power cord. Cord length: 12'.

Weight: Max. 6 lbs.

Label: cULus, Dry location. IBEW.

Product code	Light source	Voltage	Finish
PHS-P	1/200W/A-23W/IF medium	120V	WHT

Info notes

I. The comparable EU version has the following classification: Ingress Protection Code: IP20.

**louis
poulsen**