



DL9ZP

RECESSED DOWNLIGHT
ROUND FIXED WET LOCATION

DL9ZP

DESCRIPTION

A Aiming

Fixed vertical lampholder

B Special Features

Stainless steel construction; sealed aperture and integral silicone gasket prevent water intrusion; die-cast Professional Baffle minimizes aperture glare; sealed collar prevents light leak

C Effects Devices

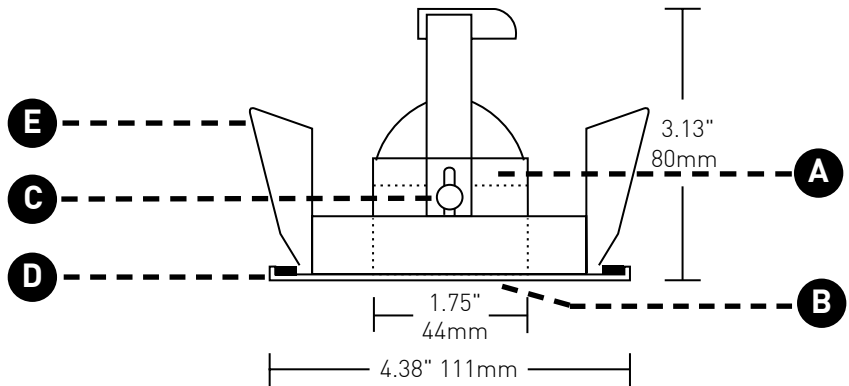
Sealed frosted glass lens included; optional sealed clear glass lens available; adjustable yoke allows secure placement of additional effects devices (see chart below for limit per light source)

D Trim Plate

.15" return; install as flange overlay

E Retention

Torsion spring clips accommodate varying ceiling thicknesses (up to 1") and ensure snug fit of trim against ceiling



TECHNICAL

CONSTRUCTION

Trim: Steel and aluminum; painted finishes are granulated powdercoat

LAMP

MR-16 style lamp options: 12V halogen (HAL) *max wattage is housing dependent*, ceramic metal halide (HID) *max wattage is housing dependent*, light emitting diode (LED)

To ensure optimal results, it is recommended to specify lamps supplied by Lucifer Lighting* (see page 2)

HOUSING

See housing specifications (page 2)

LISTING

ETL listed in US and Canada for wet locations; IP64 rated

WARRANTY

Manufacturer's one year warranty guarantees product(s) listed to be free from defects in material workmanship under normal use and service. Warranty is conditional upon use of manufacturer supplied transformer or ballast.

ORDERING INFORMATION (downlight)

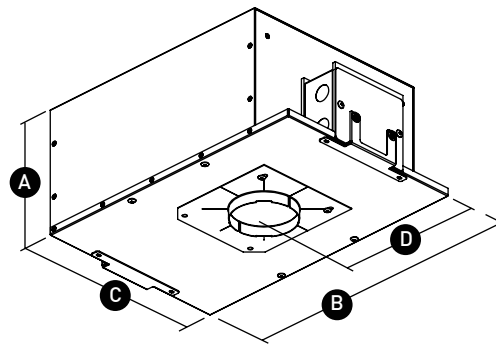
Example: DL9ZP-W-HAL-F				Example: 12-50-HRIR-MF	
SERIES	FINISH	LIGHT SOURCE	SEALED LENS	ADDITIONAL EFFECTS DEVICES	LAMP
DL9ZP	W	HAL	F	<input type="checkbox"/> AGL-2 Amber Glass Lens	* <input type="checkbox"/> 12-50-HRIR-MF
	B	HID	(standard)	<input type="checkbox"/> CGL-2 Clear Glass Lens	* <i>Optional</i> (see page 2)
	C	Discharge	C	<input type="checkbox"/> FGL-2 Frosted Glass Lens (standard)	
	IG	LED		<input type="checkbox"/> HCL-2 Honeycomb Louver	
	MG			<input type="checkbox"/> LSL-2 Linear Spread Lens	
	SS			<input type="checkbox"/> SFL-2 Soft Focus Lens	
	ABR			<input type="checkbox"/> SGL-2 Spread Lens	
	BRP			<input type="checkbox"/> UVL-2 Ultra Violet Lens	
	BRM			<input type="checkbox"/> WTL-2 Warm Tone Lens	
	*Powdercoat				

Light Source	HAL	HID	LED
Total Effects Devices	3	2	1

IC

For use with recessed downlights in IC accessible and non-accessible ceilings up to 1" thick. Transformer compartment and all splice connections may be serviced from room side. Certified Chicago Plenum and ASTM E283 Airtight version available. Hanging bars are included and can be fitted to all sides of the housing.

Maximum wattage: 50W for halogen, 20W for HID.



- A** 6.1" / 155mm
- B** 16.3" / 414mm
- C** 10" / 254mm
- D** 7.2" / 183mm (aperture centerline)

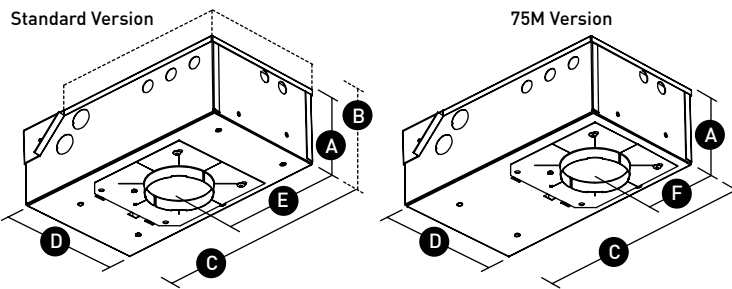
Ceiling cut-out diameter

ZF: 3.5" / 89mm

NON-IC

For use with recessed downlights in non-IC, accessible and non-accessible ceilings up to 1" thick. Transformer compartment and all splice connections serviceable from room side. Hanging bars are included and can be fitted to all sides of the housing for installation in spaces as narrow as 9".

Maximum wattage: 75W* for halogen, 39W for HID. HID version comes with extended top. The lowest profile housing (see measurement A) is for use with halogen lamp. *Note: 75 watt version has modified aperture centerline (see measurement F). Specify "75M" for max watts.



- A** 3.7" / 94mm (HAL)
- B** 6" / 152mm (HID)
- C** 12" / 305mm
- D** 6.8" / 172mm
- E** 6.3" / 160mm (standard aperture centerline)
- F** 3" / 76mm (75M version aperture centerline)

ORDERING INFORMATION (housing)

EX: DH-IC-ZF-HAL-50-120E

HOUSING	RATING	SERIES	LIGHT SOURCE	MAX WATTS	POWER SUPPLY (primary)
DH	IC AC NIC	ZF Z Series Flange Overlay	HAL Halogen Low Voltage	75M (NIC only) 50 50 37 20	120E 120V Electronic 277E 277V Electronic 120M 120V Magnetic 277M 277V Magnetic REM Remote 120EZL 120V Electronic Zero-Load* 120T 120V Torroidal
			HID Metal Halide	39 (NIC only) 20	120E 120V Electronic 277E 277V Electronic REM Remote
			LED MR-16 Style LED	10	120E 120V Electronic

*Zero-Load transformer accommodates retrofit 50W max MR-16 style LED lamp.

ORDERING INFORMATION (lamps)*

12-37-HRIR-SP	37W IR Halogen 10° Spot	12-50-HR-MF	50W Halogen 30° Medium Flood
12-37-HRIR-MF	37W IR Halogen 25° Medium Flood	12-50-HR-FL	50W Halogen 40° Flood
12-37-HRIR-FL	37W IR Halogen 35° Flood		
12-37-HRIR-WF	37W IR Halogen 60° Wide Flood	120-20-MH-SP	20W Ceramic Metal Halide HID 12° Spot
12-50-HRIR-SP	50W IR Halogen 10° Spot	120-20-MH-MF	20W Ceramic Metal Halide HID 25° Medium Flood
12-50-HRIR-MF	50W IR Halogen 25° Medium Flood	120-20-MH-FL	20W Ceramic Metal Halide HID 40° Flood
12-50-HRIR-FL	50W IR Halogen 35° Flood	120-39-MH-SP	39W Ceramic Metal Halide HID 12° Spot
12-50-HRIR-WF	50W IR Halogen 60° Wide Flood	120-39-MH-MF	39W Ceramic Metal Halide HID 25° Medium Flood
		120-39-MH-FL	39W Ceramic Metal Halide HID 40° Flood
12-20-HL-SP	20W Halogen 12° Spot		
12-20-HL-MF	20W Halogen 15° Medium Flood	12-5-LED-SP	5W MR-16 Style LED 10° Spot
12-20-HL-FL	20W Halogen 25° Flood	12-5-LED-MF	5W MR-16 Style LED 25° Medium Flood
12-50-HR-SP	50W Halogen 15° Spot		