



MR16 LED

10MR16/END/F35 2700 DIM 10/1

Philips MR16 Dimmable LED Lamps provide ambient level light to illuminate hard to maintain applications. Increased transformer compatibility allows for operation on a wider range of transformers. Available in dimmable and non-dimmable versions, these lamps are ideal for track and open recessed fixtures in retail, hospitality and residential spaces.

Product data

• General Characteristics

Cap-Base	GU5.3
Bulb	MR16 [MR 16inch/50mm]
Rated Avg. Life (Hours)	25000 hr

• Light Technical Characteristics

Color Code	WW
Color Designation	Warm White
Beam Angle	35 D
Beam Description	- [-]
Correlated Color Temperature	2700 K
Approximate Lumens	470 Lm
Approx. MBCP	1260 cd
CRI	80
Color Temp. (Kelvin)	2700 K [CCT 2700K]

• Electrical Characteristics

Wattage	10 W
Wattage Technical	10 W

Voltage	12 V
Power Factor	0.8 -
Lamp Current mA	1078 mA
Dimmable	Yes
Starting Time	0.5 (max) s

• Product Dimensions

Diameter D	50 mm
Overall Length C	50.2 mm

• Product Data

Product number	420182
Full product name	10MR16/END/F35 2700 DIM 10/1
Short product name	10MR16/END/F35 2700 DIM 10/1
Pieces per Sku	1
eop_pck_cfg	10
Skus/Case	10
Bar code on pack	46677420185
Bar code on case	50046677420180
Logistics code(s)	929000219504
eop_net_weight_pp	0.035 kg

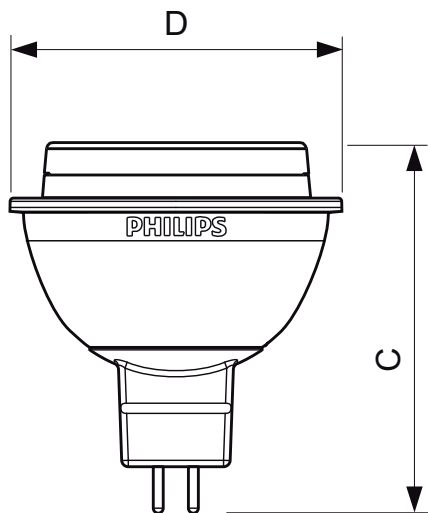
Dimensional drawing



PHILIPS

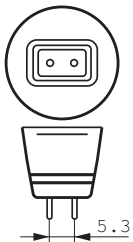
sense and simplicity

Dimensional drawing



7-35W/10-50W, GU5.3, MR16, dimmable

Product	C (Norm)	D (Norm)
LED 10W 2700K 12V 35D	50.2	50



GU5.3



© 2012 Koninklijke Philips Electronics N.V.
All rights reserved.

Specifications are subject to change without notice. Trademarks are the property of Koninklijke Philips Electronics N.V. or their respective owners.

www.philips.com/lighting

2012, August 4
data subject to change