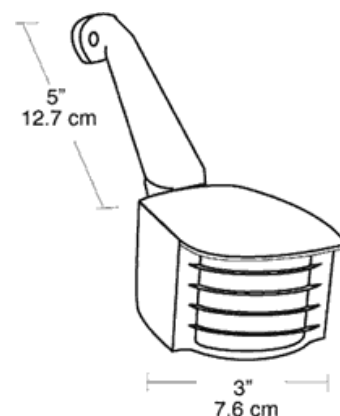


LS300

Luminator sensor with 110° view, manual override, 300 watt switching capacity and auto test logic.

Color: Bronze

Weight: 0.6 lbs



Technical Specifications

UL Listing:

Suitable for wet locations.

Voltage:

120 volts AC 60 Hz.

Power Consumption:

1 watt

Time Adjustment:

8 seconds to 10 minutes

Photo Control:

Deactivates lights during daylight

Detector Sensitivity:

Adjustable from 100% to 50%

Wall Switch Manual Override:

Two flip logic prevents activation by momentary power outages. Override resets to auto after 6 hours or at dawn. No extra wiring needed.

Auto Test Logic:

5 minutes of test time when power is turned on, Rests to auto mode without further adjustment

Sensor Housing:

Made of tough, corrosion resistant polycarbonate

Floodlights:

Made of tough, corrosion-resistant polycarbonate. Accepts PAR-38 lamps, medium base, 150 watts max. Lamps not included.

Surge Protection:

Withstands up to 3000 volts

Detection:

110° view

Switching Capacity:

300 watts incandescent @ 120 volts, 2.5 amps

Patents:

RAB sensor and fixture designs are protected under U.S. and International Intellectual Property laws.