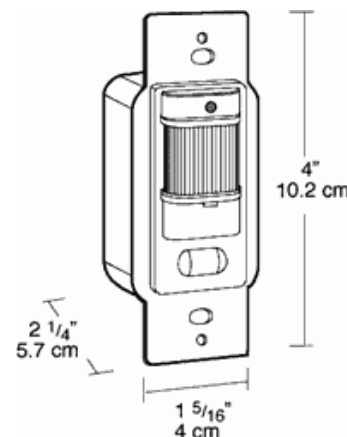


# LVS800I/120

Meets California Title 24 standards. Must be turned on manually, but shuts off automatically. Full 180deg; view covers 1000 sq. ft. Works with electronic ballasts. Can be wired in parallel. LED indicator, wallplate supplied. Can also be used as a ceiling sensor. Must have hot, common & ground wires in box.

Color: Ivory

Weight: 0.3 lbs



## Technical Specifications

### UL Listing:

Indoor applications Smart Box & Tuff Dome Wet locations

### Compatibility:

Compatible with most electronic ballasts. Not compatible with instant start ballasts. Can be wired in parallel

### Maximum Energy Savings:

Must be turned on manually, but shuts off automatically.

### Coverage Area:

1000sf

### Incandescent & Fluorescent Watts Switched:

800 watts @ 120 volts, 1200 watts @ 277 volts.

### Ratings:

6.7 amps at 120 volts, 4.3amps @ 277 volts.

### Power Consumption:

Negligible

### Time Delay:

8 seconds to 15 minutes

### Manual Switch:

On - Manual on - Auto off

### Ambient Light Sensing:

n/a

### Adjustments:

Time

### Detection:

180° view covers 1000 sq. feet

### Wiring:

Hot & common, no ground required

### Patents:

RAB sensor and fixture designs are protected under U.S. and International Intellectual Property laws.

### California Title 24:

LVS800 complies with California Title 24 building and electrical codes.

