

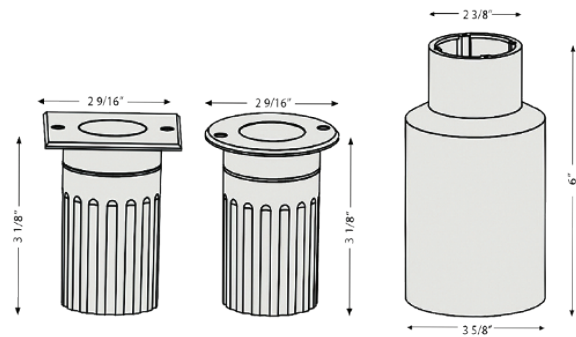
IG100 SERIES IN-GRADE LED 24V DC

Job Name:

Address:



Architectural grade LED accent light. Great source of light for in-grade applications. 50,000 hours rated life, low maintenance and a life rating more than 10 times the standard inefficient halogen lighting fixtures. Suitable for wet location installations.



SPECIFICATIONS:

- Suitable for In-Grade applications
- Suitable for Interior or Exterior applications
- Square or round face plate options
- Stainless steel finish
- Concrete pour housing included
- 3000K or 4000K Color Temps
- Suitable for wet locations
- Dimmable
- Rated Life: 50,000 Hours
- 24V DC Power Supply Required

Light Source	2W LED
Lumens	160
CRI	85+
Color Temp	3000K or 4000K
Voltage	24 Volts DC
Rating	Wet Location IP65
Rated Life	50,000 Hours
Dimming	Dimmable
Lead Wires	20" 18AWG lead wires
Warranty	3 Years
Dimensions	Housing: 3-5/8" D x 6" H
	Round Face Plate: 2-9/16" D x 3-1/8" H
	Square Face Plate: 2-9/16" SQ x 3-1/8" H

ORDERING GUIDE:

MODEL	COLOR TEMP	FINISH	VOLTAGE
IG101 - Round IG102 - Square	WW - 3000K CW - 4000K	SS - Stainless steel	24V DC