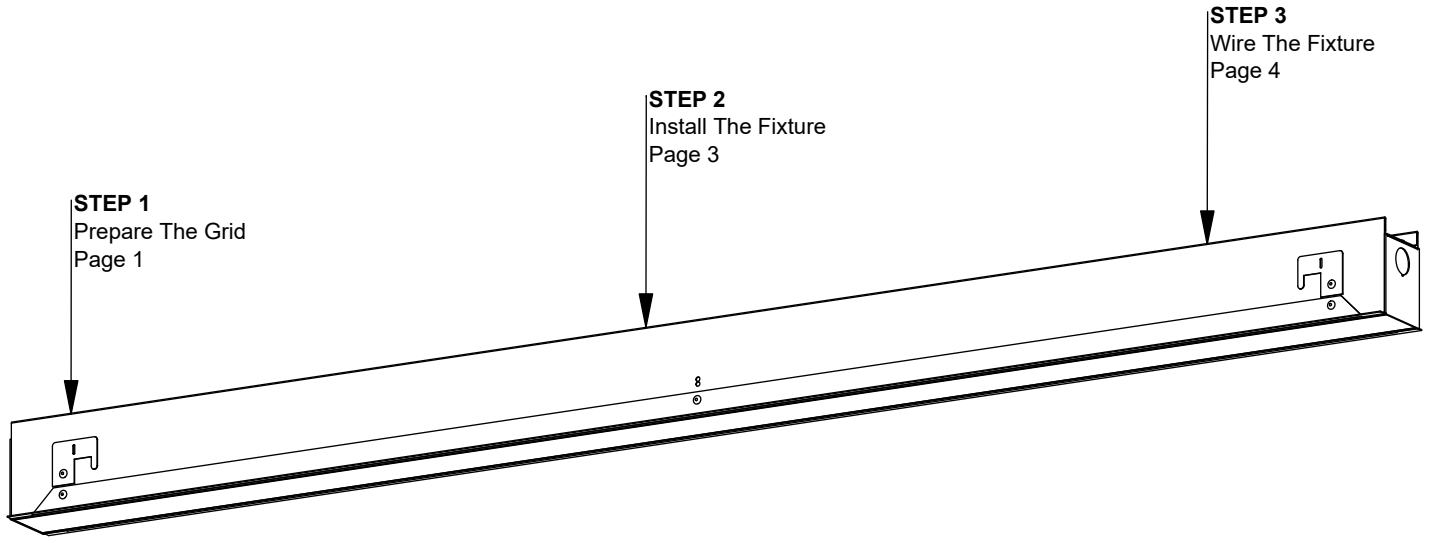
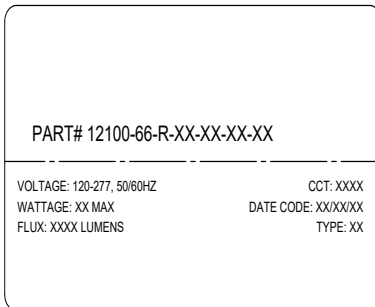


INSTALLATION INSTRUCTIONS



A. Identify Fixtures



- Use labels found on the box and inside fixture bodies to identify bodies.
- **NOTE:** Locations of labels can vary.
- Remove all fixtures from their boxes.
- Organize fixtures based on their labels at the install location.

B. Tools Needed



Screwdriver



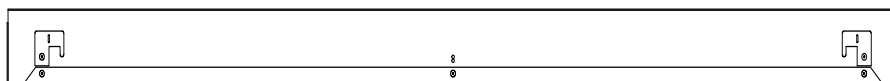
Utility Knife



Safety Glasses

- Always use proper safety equipment when installing fixtures. Tools shown are recommended for standard install. Tools needed may vary based on actual install location conditions.

C. Identify Parts



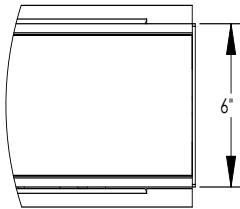
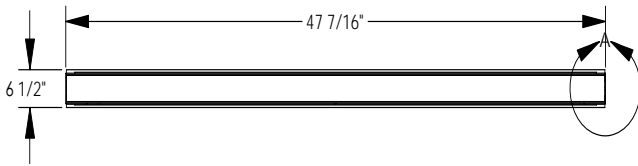
12100-66-R
Recessed Grid
Fixture (Provided)

INSTALLATION INSTRUCTIONS

12100-66-R Recessed

Step 1 - Prepare The Grid

A. Transfer Measurements

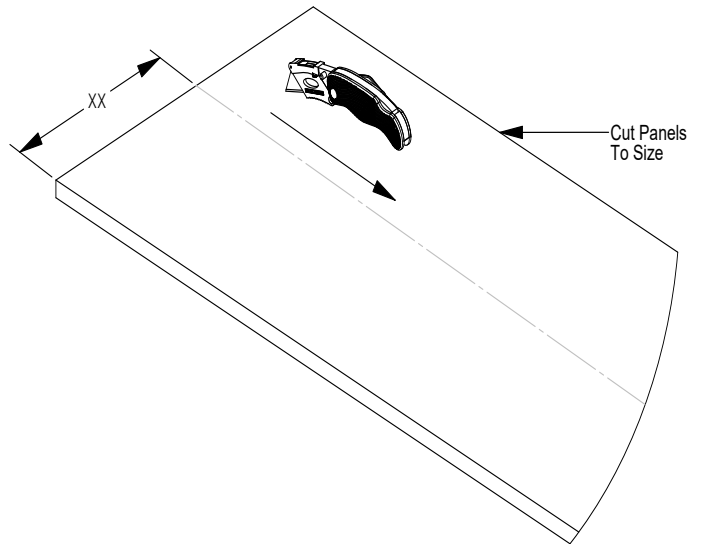


DETAIL A
SCALE 1 : 1.5

Note: 4FT fixture shown,
fixture length may vary.

- Note the length and width dimensions of the fixture, including the pre-installed flange.
- Transfer the dimensions to the grid. Set the grid rails to the proper width.

B. Cut Ceiling Panels



- Cut ceiling panels to fit the custom, fixture-spaced grid.

Items Used In This Step



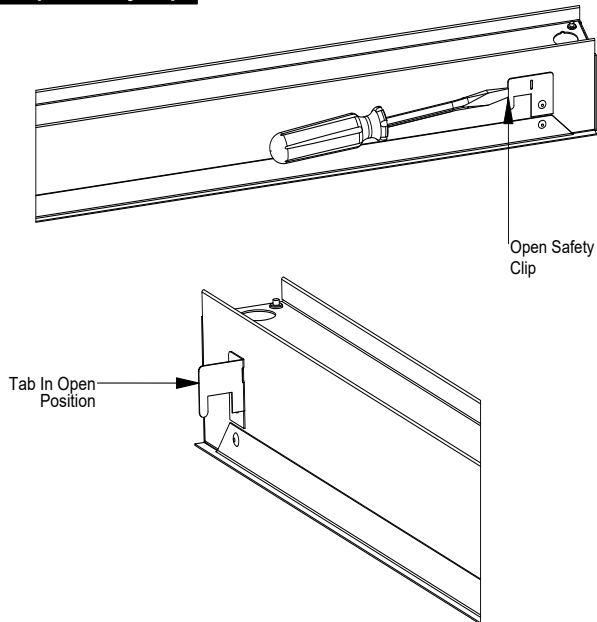
Utility Knife

INSTALLATION INSTRUCTIONS

12100-66-R Recessed

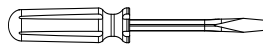
Step 2 - Install The Fixture

A. Open Safety Clips



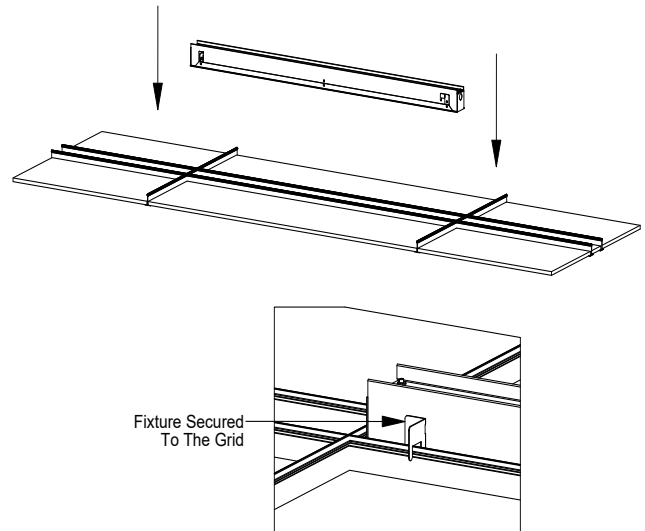
- Using a flat tip screwdriver, pry open the pre-installed safety clip to a 90° angle.
- Repeat for all safety clips on the fixture.

Items Used In This Step



Flat Tip Screwdriver

B. Install To The Grid



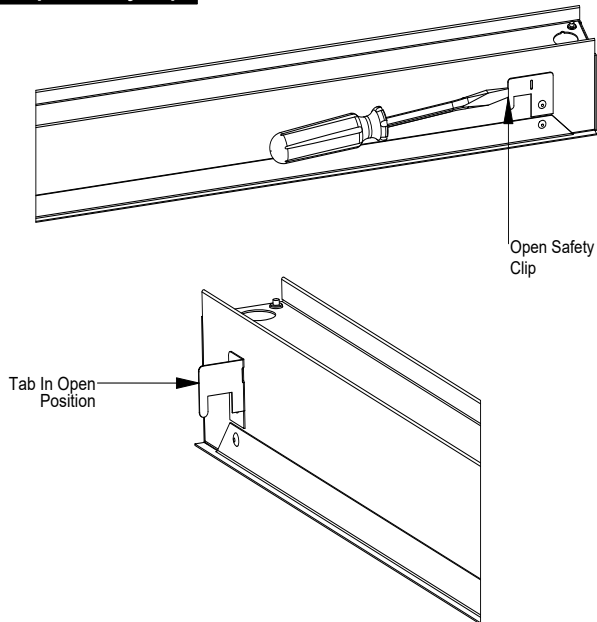
- Position the fixture to the grid as shown above.
- **Note:** All safety clips must be properly installed over the grid bars as shown.

INSTALLATION INSTRUCTIONS

12100-66-R Recessed

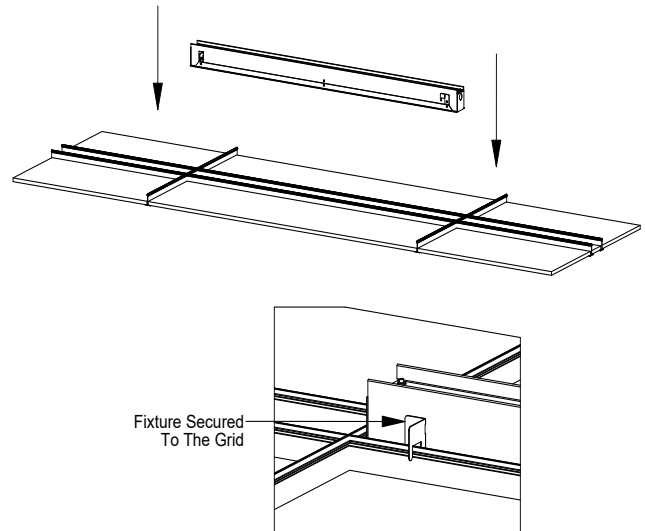
Step 3 - Install The Fixture

A. Open Safety Clips



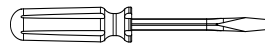
- Using a flat tip screwdriver, pry open the pre-installed safety clip to a 90° angle.
- Repeat for all safety clips on the fixture.

B. Install To The Grid



- Position the fixture to the grid as shown above.
- **Note:** All safety clips must be properly installed over the grid bars as shown.

Items Used In This Step



Flat Tip Screwdriver