

Project Name:

Type:

Quantity:

FIXTURE SPECIFICATIONS

INTENDED USE

The specification-grade Alcon Lighting 14021 Bunbury series semi-recessed 10-Inch LED hand-blown opal glass downlight is the ideal solution for LED semi-recessed applications. This attractive light fixture is ideal for corridors, lobbies, and office areas.

FEATURES

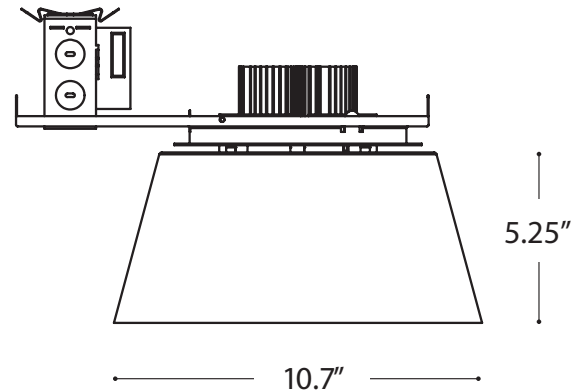
Housing Construction: Pre-coated galvanized steel mounting frame and J-box. Lampholder securely fastens to the reflector. Hand blown glass shade with matte opal exterior, white interior.

Voltage: 120V/277V, 50/60 hz

CRI: 90+

Listings: UL listed for damp locations

Warranty: 5 years carefree for parts & components (labor not included)



ORDERING INFORMATION Example: (14021-22-40K)

Model	Wattage Lumens	Color Temp	Options
14021	22 22 Watts 2000 lumens	30K 3000K	EM Emergency Back Up Battery 10W for 90 Minutes
	33 33 Watts 3000 lumens	35K 3500K	
		40K 4000K	

Alcon Lighting 14021 Bunbury Series Semi-Recessed 10-Inch LED Hand-blown Opal Glass Downlight