

Project Name:

Type:

Quantity:

FIXTURE SPECIFICATIONS

INTENDED USE

The specification-grade Alcon Lighting 14023 Bunbury series architectural 6-inch semi-recessed LED hand-blown opal glass downlight fixture is the perfect selection for distinctive architectural lighting plans. Ideal for corridors, lobbies, and office areas.

FEATURES

**Housing Construction:** Housing is made of pre-coated galvanized steel mounting frame and J-box. Lampholder securely fastens to the reflector. Hand blown glass shade with matte opal exterior, white interior.

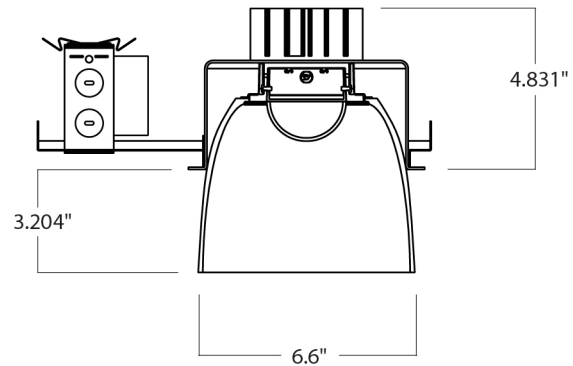
**Voltage:** 120V/277V, 50/60 hz

**Dimming:** 0-10V down to 1%

**CRI:** 90+

**Listings:** cUL listed for damp locations

**Warranty:** 5 years carefree for parts & components (labor not included)



ORDERING INFORMATION Example: (14023-22-30K)

Model	Wattage   Lumens	Color Temp.	Options
14023	22 22 Watts   2000 lumens	30K 3000K	EM Emergency Back Up Battery 10W for 90 Minutes
	33 33 Watts   3000 lumens	35K 3500K	
		40K 4000K	

Alcon Lighting 14023 Bunbury Series Semi-Recessed 6-Inch LED Hand-blown Opal Glass Downlight