

# LED Edge-Lit Flat Panels

High Efficiency Series



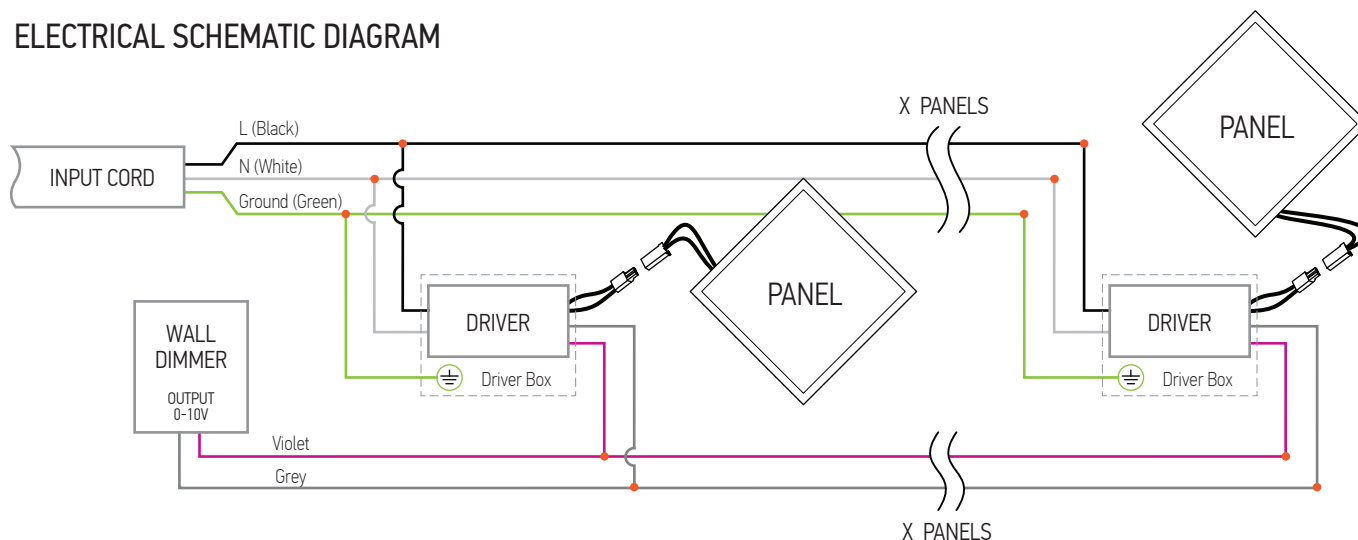
## INSTALLATION GUIDE

### IMPORTANT SAFETY INFORMATION:

**Please read all the instructions below before installation.**

- Make sure that the supply voltage corresponds to the rated product voltage.
- The product is designed for indoor use only.
- The product must be installed by a qualified electrician in accordance with the National Electrical Code and corresponding local codes.
- If the product is damaged, do not use it.
- The panel should be used with the LED Driver.

### ELECTRICAL SCHEMATIC DIAGRAM



### MASTER / SATELLITE DEFINITION:

Each panel can be wired as a Master/Satellite panel. During mounting, one fixture in the room should be wired as a Master, and the others in the room should be wired as Satellites.

Up to 20 panels can be linked to each master panel. Total power of LED Panels shall not exceed the wattage of dimmer.

### BUILDING AUTOMATION COMPATIBLE:

Multiple panels can also be controlled from a single source. The panels can be linked to building automation systems. The driver can be remote-mounted at a distance of not more than 1.5m from the panel

# LED Edge-Lit Flat Panels

High Efficiency Series



## INSTALLATION STEPS

### ASSEMBLING PANEL

1. Turn off the main power.

Connect the connector between LED Panel and output of LED Driver.

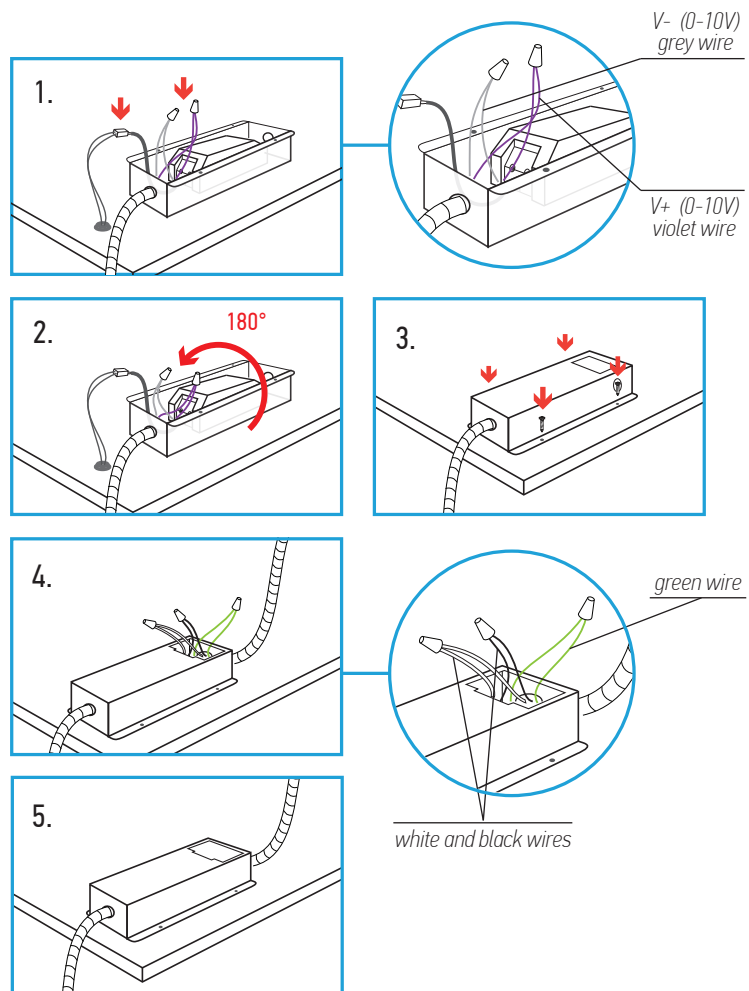
Insert the MC cable into the knock out hole of the junction box and connect the 0-10V signal lines to the junction box through the MC cable.

2. Turn over the driver box.

3. Fix the driver box on the panel with screws.

4. Open the lid of the junction box insert the MC cable into the knock out hole on the other side of the junction box and connect the power cord to the junction box through the MC cable.

5. Tidy up the wires into the driver box, and then fix the lid with screw.



# LED Edge-Lit Flat Panels

High Efficiency Series

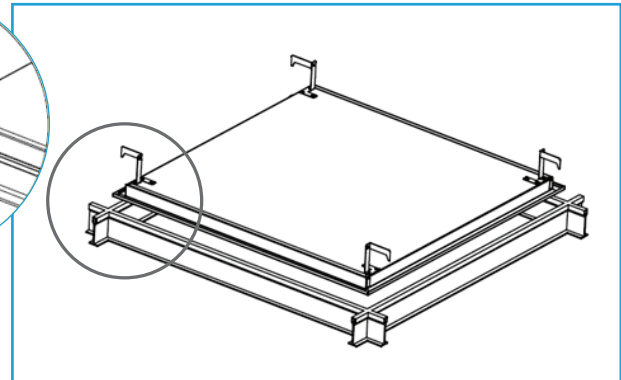
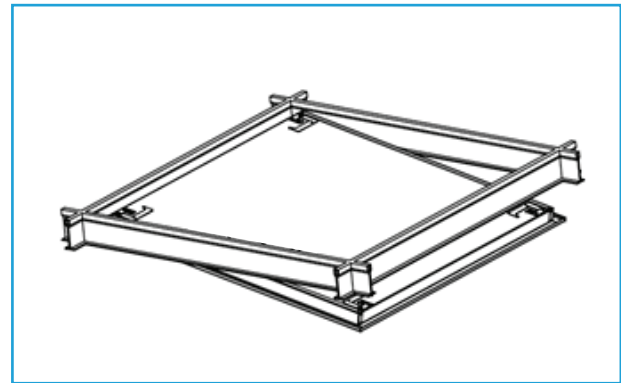
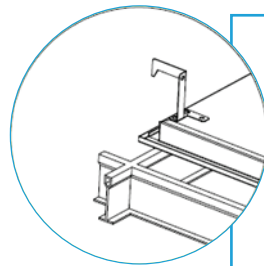


## RECESSED MOUNT

1. Choose the ceiling panel where you want to install the product, and remove it. For convenience, move adjacent ceiling tiles.

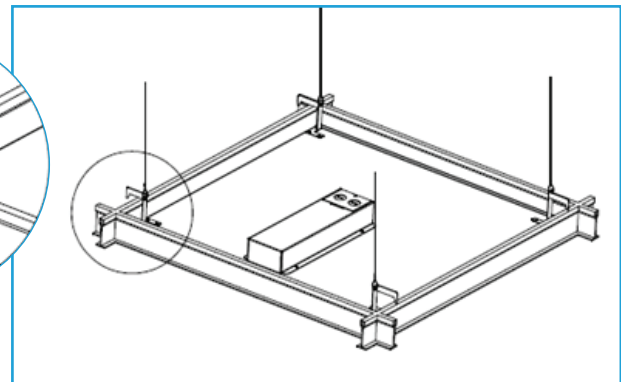
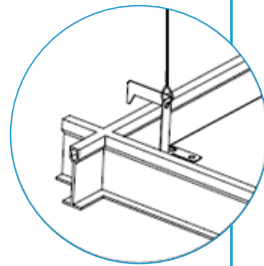
2. Fix the LED Panel into the ceiling: raise up the product above the bar, then place it on T-bars.

*Two bend points for all four tabs*



3. Secure the panel with the grid as shown in the picture.

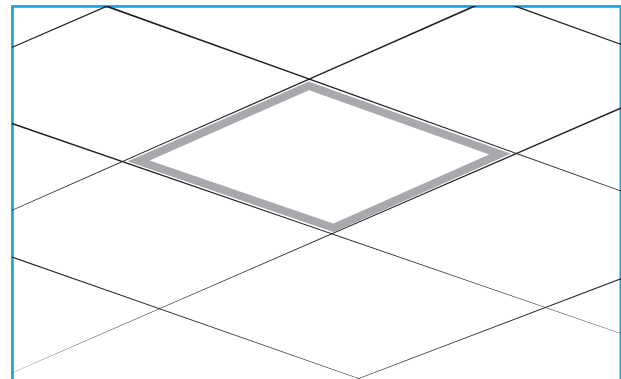
*Ensure the tab is securely attached to the grid*



4. Assemble the panel and connect wires as shown in "Assembling panel".

5. Return the adjacent ceiling tiles to their places.

6. Turn on the main power. Installation is finished.



Compatible with grid size		
15/16"	Slot T	15/16" Tegular

# LED Edge-Lit Flat Panels

High Efficiency Series



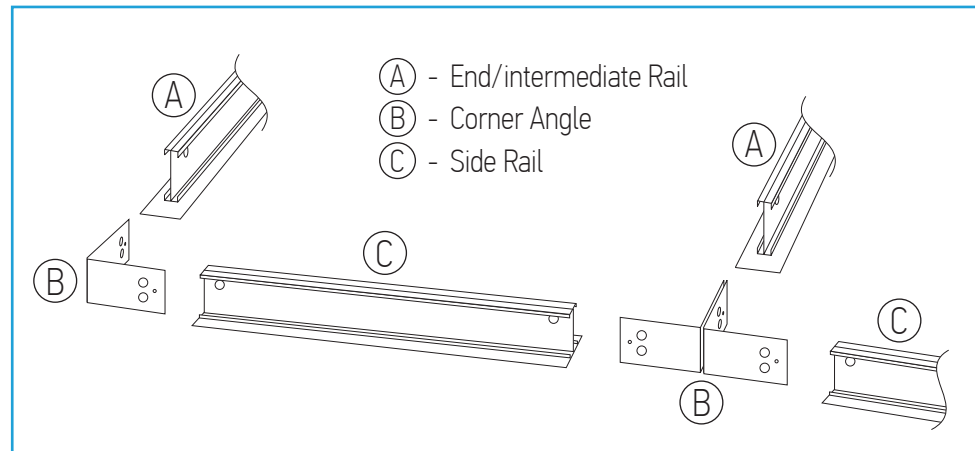
## RECESSED SHEETROCK MOUNT

Ceiling cutout sizes:

1x4 = 11 3/4" x 47 3/4"

2x2 = 23 3/4" x 23 3/4"

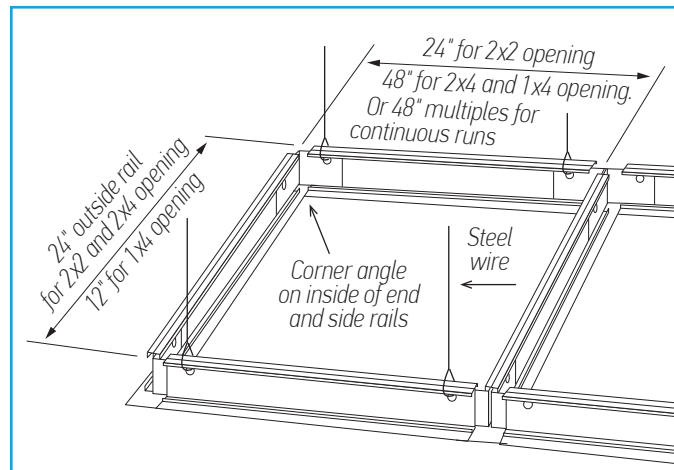
2x4 = 23 3/4" x 47 3/4"



1. Following the picture above, slide part B into the inboard side of parts C and A as shown.
2. Place assembled frame into a ceiling opening and add steel wires for support as pictured below.

**Note:**

- For best results, attach supporting steel wires going into the ceiling to sides of frame after assembly
- End rail can be used as intermediate rail for tandem row



Accessories for recessed sheetrock mount are sold separately.

## FRAME FOR RECESSED SHEETROCK MOUNTING ORDERING INFORMATION:

GTIN 12	Model Number	Panel Size
857622006220	ASD-FDW-ELP14	1x4
855029006393	ASD-FDW-ELP22	2x2
857622006107	ASD-FDW-ELP24	2x4

# LED Edge-Lit Flat Panels

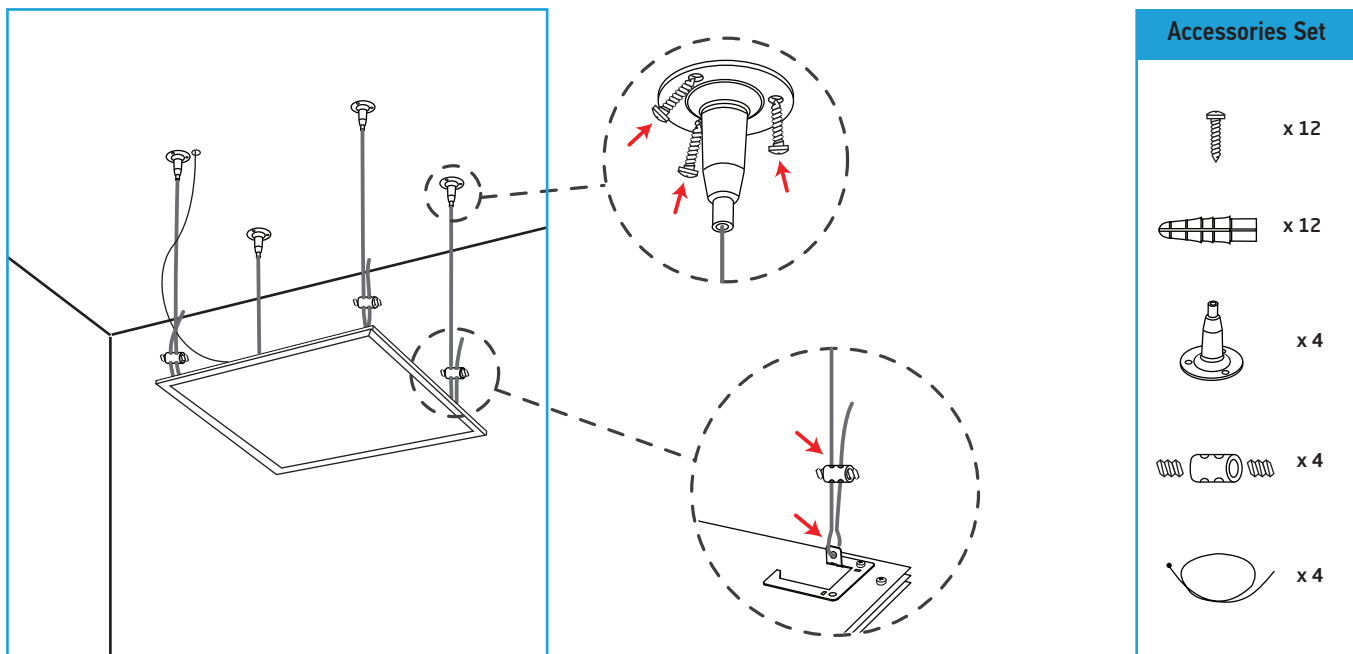
High Efficiency Series



## SUSPENDED MOUNT

(only for 2x2 and 1x4 LED Edge-Lit flat panels):

1. Make sure that the ceiling can hold the weight of the LED panel and install ceiling brackets suitable to support the weight of the LED panel. Affix cables.
2. Gather panel and connect the wires as shown in "Assembling panel".
3. Attach the suspended cables to the bends at the edges of the LED flat panel.
4. Turn on the main power. Installation is finished.



Accessories for suspended mount are sold separately.

## CEILING HANGING SET ORDERING INFORMATION:

GTIN 12	Model Number
859961005148	ASD-CHS4
855029006522	ASD-CHS6

# LED Edge-Lit Flat Panels

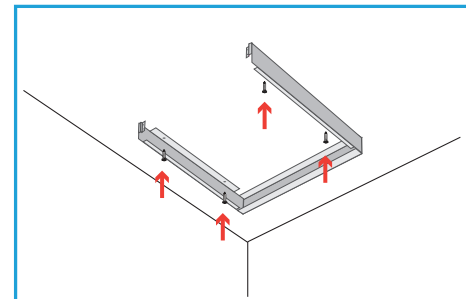
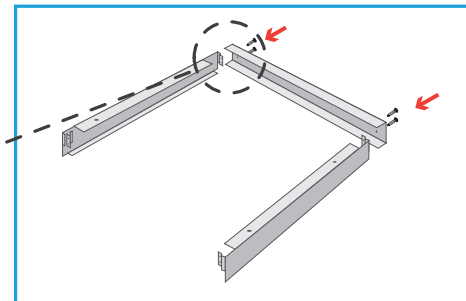
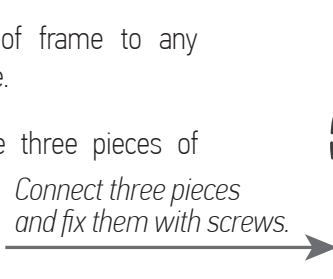
High Efficiency Series



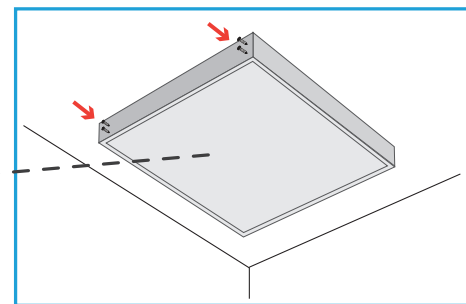
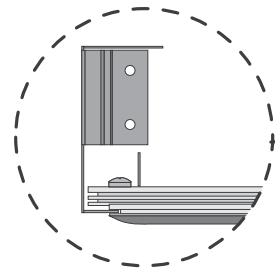
## SURFACE MOUNT

Wall/ceiling mount:

1. Put the pieces of frame to any horizontal surface.
2. Fix two of these three pieces of frame (those ones that are parallel and that have corresponding holes in them) to the ceiling with four screws.
3. Gather panel and connect the wires as shown in "Assembling panel".



Insert the panel into the frame formed by three connected pieces



4. Close it with the fourth piece, fix this piece to other ones with screws.
5. Turn on the main power. Installation is complete.

Accessories for surface mount are sold separately.

## FRAME FOR SURFACE MOUNTING ORDERING INFORMATION:

GTIN 12	Model Number	Panel Size
859961005315	ASD-FELP22	2x2
859961005322	ASD-FELP14	1x4
859961005339	ASD-FELP24	2x4