

FIXTURE SPECIFICATIONS

INTENDED USE

The specification grade 9118 Architectural Landscape LED Low Voltage Stainless Steel In Ground Well Light features a durable, tempered lens and a silicone sealed gasket to protect from water, moisture, and insects. The 9118 is an ideal solution for landscape applications looking for quality and energy efficient lighting.

FEATURES

Construction: Die-cast aluminum face plate

Connection: 20" 18AWG Lead Wire

Voltage: 12V AC/DC

Wattage: 3 Watts

Lumens: 160lms

CRI: 85+

Color Temperature: 3000K

Dimming: MLV Dimmable

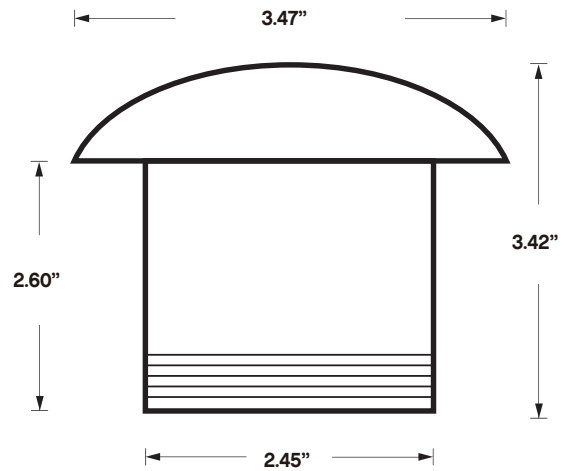
Beam Spread: 25°

Warranty: 3 Years Carefree for Parts & Components (Labor Not Included)

Listings: cETLus, Wet Location IP65

Operating Temperature: -4 ~ 122°F (-20 ~ 50°C)

Ambient Temperature: -4 ~ 176°F (-20 ~ 80°C)



ORDERING INFORMATION Example: (9118-SL)

Model	Finish
9118	SL Silver BK Black