

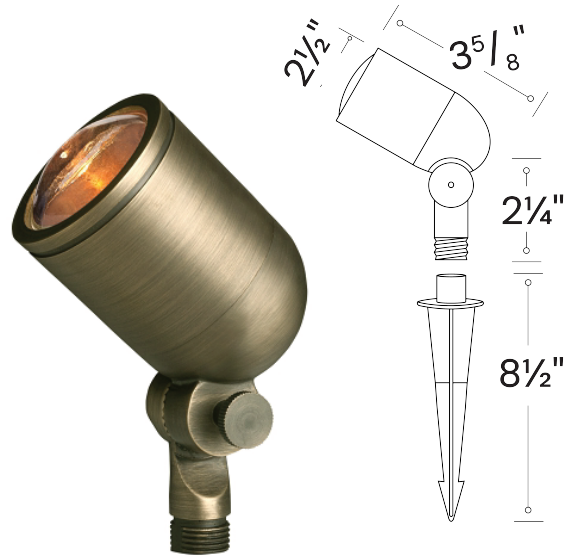
Project Name: \_\_\_\_\_ Type: \_\_\_\_\_ Quantity: \_\_\_\_\_

### INTENDED USE

The Alcon Lighting Argolis Architectural LED Directional Up Light Fixture features naturally etched finishes capable of withstanding the test of time. The Argolis Directional Uplights are ideal for architectural landscape lighting applications.

### FEATURES

- L** 3.625" x **Dia** 2.5"
- Construction:** Corrosion-resistant cast brass
- Lens:** Clear and heat-resistant convex glass
- Wiring:** Prewired with a 3' 18-2 SPT2-W direct burial cord
- Socket:** Top grade ceramic bi-pin with retention clip
- Gasket:** Silicone gasket for water tight seal
- Knuckle:** Adjustable cast brass with thumb screw and 1/2" NPT threaded male hub
- Mounting:** 1/2" NPT threaded female hub (1/2" NPT spike included)
- Voltage:** 12V
- Wattage:** 5W
- Color Temperature:** 27/30/40/50K
- Lumens:** 500 lm
- CRI:** 80+
- Life:** 50,000 Hrs
- Warranty:** 5 years Carefree for parts & components (Labor not included)
- Listings:** cETLus Listed, Wet Location



### Mounting Accessories



Mounting Stem



Mounting Canopy



Mounting Pedestal



### ORDERING INFORMATION Example:

Model	Color Temp		Mounting		Finish	
<b>9019</b>	<b>27K</b>	2700K	<b>(Blank)</b>	1/2" NPT Spike Included	<b>AB</b>	Antique Bronze
	<b>30K</b>	3000K	<b>MC</b>	Mounting Canopy	<b>BR</b>	Polished Brass
	<b>40K</b>	4000K	<b>MS6</b>	6" Mounting Stem	<b>SL</b>	Silver
	<b>50K</b>	5000K	<b>MS12</b>	12" Mounting Stem		
			<b>MS18</b>	18" Mounting Stem		
		<b>MS24</b>	24" Mounting Stem			
		<b>MP</b>	18" Mounting Pedestal			