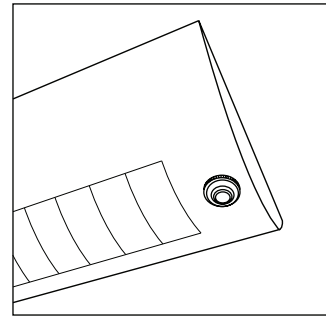
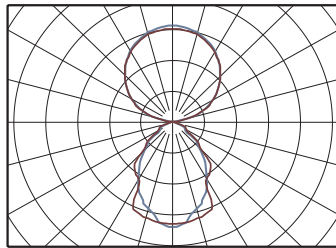


[Top Diffuser Drawing]

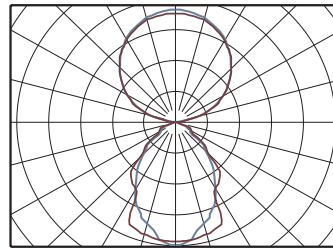


OS - Integrated Occupancy Sensor with Hold-Off Daylighting

PHOTOMETRICS



Low
Color Temp. 4000K
Lumens 5783
60.6% up / 39.4% down



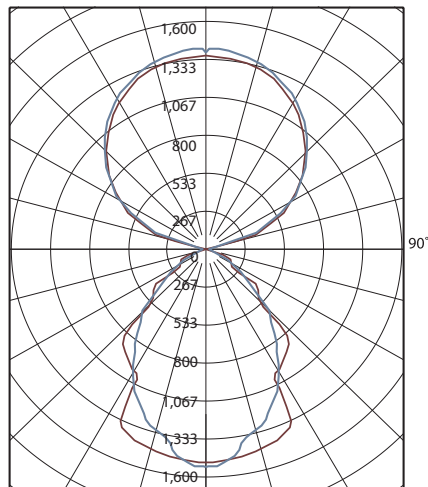
High
Color Temp. 4000K
Lumens 7655
60.6% up / 39.4% down

CONFIGURATIONS			
	LED Watts	Input Watts	Lumen Output
4FT	60	64.8	5783
	72	76.8	6853
	81	85.8	7655
8FT	120	124.8	11131
	144	148.8	13271
	162	166.8	14875
12FT	180	184.8	16480
	216	220.8	19689
	243	247.8	22096

Zone	Lumens	% of Luminaire
0-40	1794	23.7%
0-60	2623	34.7%
0-90	2982	39.4%
90-180	4586	60.6%

Distribution Data (12125-4-81W)

Polar Candela Distribution



Illuminance at a Distance

	Center Beam fc	Beam Width	
2.0ft	378.3 fc	3.2 ft	3.7 ft
4.0ft	94.6 fc	6.3 ft	7.5 ft
6.0ft	42.0 fc	9.5 ft	11.2 ft
8.0ft	23.6 fc	12.6 ft	14.9 ft
10.0ft	15.1 fc	15.8 ft	18.6 ft

Vert. Spread: 76.6°
Horiz. Spread: 86.0°