

FEATURES & SPECIFICATIONS

INTENDED USE

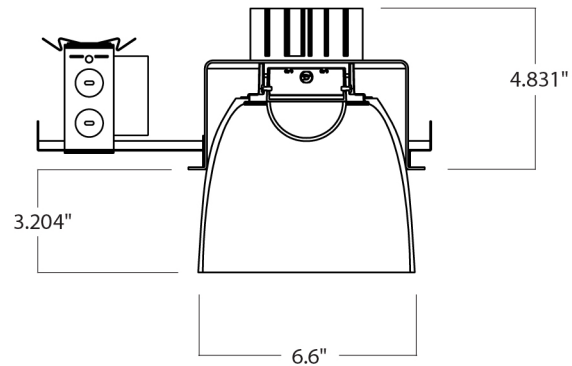
Architectural 6 inch Semi-Recessed LED handblown opal glass downlight fixture for distinctive architectural lighting plans. Ideal for corridors, lobbies, and office areas.

SIZE

6.6" Dia. x 3.204" H (to trim)

ADDITIONAL FEATURES

- Housing is made of Pre-coated galvanized steel mounting frame and J-box
- Semi-recessed handblown opal glass shade with low glare matte interior
- Telescopic bar hangers supplied
- Energy management dimming to 15%, 0-10V option available
- UL listed for damp locations
- CRI: 90
- 5-year LED warranty



Listings:



Ordering Information:

Example: (14023-21-W27-D5)

Model	Wattage / Lumens	Color Temp.	Dimming	Options
14023	21 21 Watts 2000 lum 31 31 Watts 3000 lum	W27 2700K W35 3500K W41 4100K	D1 ¹ Incandescent Dimming D5 0-10V Dimming	EM Emergency Battery Pack

¹ ERP driver dims to 15% and may be used with incandescent dimmers or with 0-10V purple/gray wires.