

**FIXTURE SPECIFICATIONS**

**INTENDED USE**

The specification grade Alcon Lighting Remy 11102 Gasket Enclosure Vaportite Series Wet Location LED Linear Ceiling Garage Canopy Light Fixture is the ideal solution for warehouse, gymnasium, or other mid to high-ceiling applications where high output LED lighting is desired.

**FEATURES**

**Construction:** Fully gasket fiberglass upper body with cold-rolled steel white finish reflector.

**Mounting:** Stem, chain, swivel stem and surface mounting.

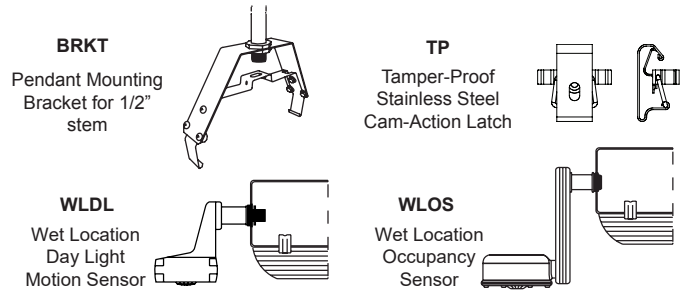
**CRI:** 80+

**Input Voltage:** 120/277V, 50/60Hz

**Ambient Operating Temperature:** -22°F (-30°C) ~ 122°F (50°C)

**Listings:** UL/CUL, CSA, IP65 and IP67, NSF International certified, ARRA compliant, Suitable for damp / wet location, Made in the USA

**Warranty:** 5 Years Carefree for Parts & Components (Labor Not Included)



**ORDERING INFORMATION** Example: (11102-S-218-27K-DRS-010-N)

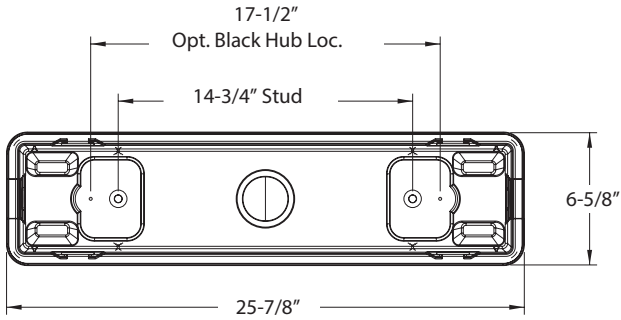
Model	Mounting	Length   Wattage   Lumens	Color Temp	Lens	LED Driver	Distribution	Options	
<b>11102</b>	<b>S</b> Surface	<b>218</b> 2'   18W   2272lm	<b>27K</b> 2700K	<b>DRS</b> Shallow acrylic lens in crepe pattern. 15% DR	<b>010</b> <small>Standard</small> 0-10V 10% Dimming	<b>N</b> Normal	<b>EM5</b> 5W EM Battery Backup	
		<b>220</b> 2'   20W   2460lm	<b>30K</b> 3000K				<b>PH</b> Philips Xitanium, 0-10V 1% dim	<b>W<sup>2</sup></b> Wide
	<b>P</b> Pendant	<b>227</b> 2'   27W   3215lm	<b>35K</b> 3500K	<b>TA1F</b> Tapered 100% Frosted High Impact Acrylic.	<b>SD</b> 40% / 100% Bi-Level Step dim	<b>SDXX</b> XX% / 100% Bi-Level Step dim (Specify XX : 10% ~ 70%)	<b>WLOS</b> Wet Location Occupancy Sensor	<b>EM16</b> 16W EM Battery Backup
		<b>236</b> 2'   36W   3969lm	<b>40K</b> 4000K					<b>SSL</b> Stainless Steel Latch
		<b>422</b> 4'   22W   2425lm	<b>50K</b> 5000K					<b>TP</b> Tamper-Proof Stainless Steel Cam-Action Latch
		<b>436</b> 4'   36W   3969lm						<b>WLDL</b> Wet Location Day Light Motion Sensor
		<b>445</b> 4'   45W   4723lm						
		<b>456</b> 4'   56W   5854lm						
		<b>472</b> 4'   72W   7363lm						
		<b>4100</b> 4'   100W   10182lm						
		<b>822</b> 8'   72W   7363lm						
		<b>836</b> 8'   88W   8871lm						
		<b>845</b> 8'   112W   11134lm						

<sup>1</sup> Not available for 2 Foot length options.

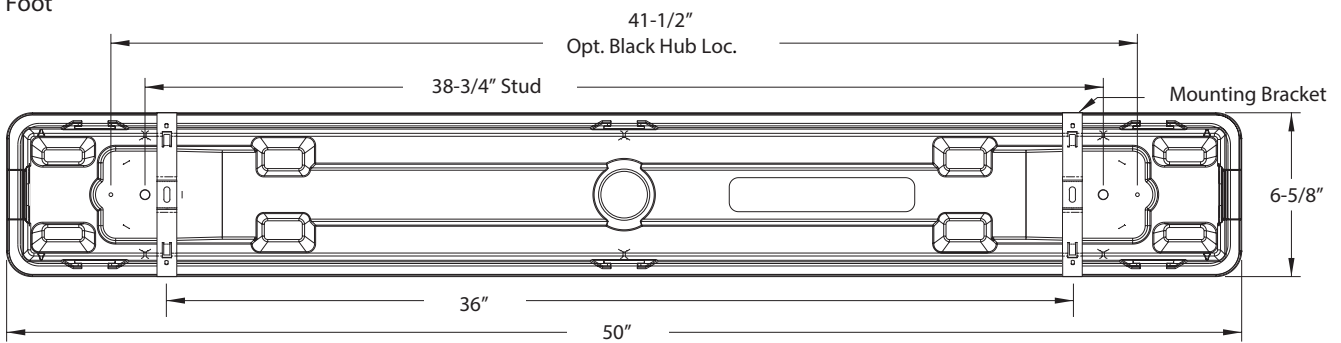
<sup>2</sup> Wide Distribution only Available for 2 and 4 foot lengths

**DIMENSIONS**

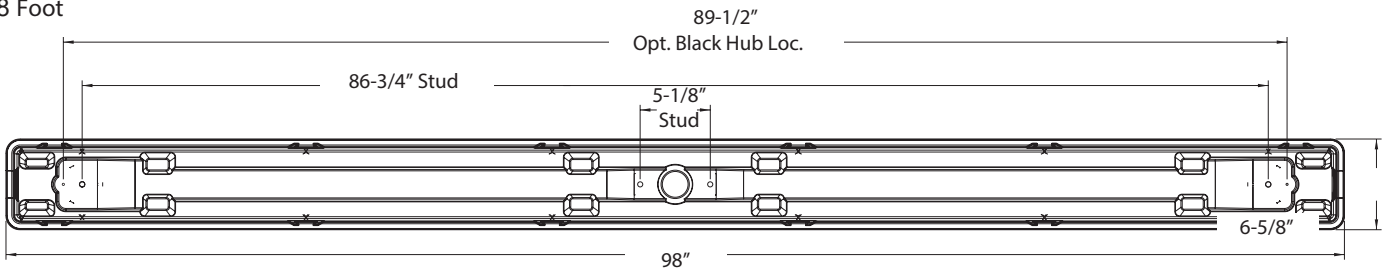
2 Foot



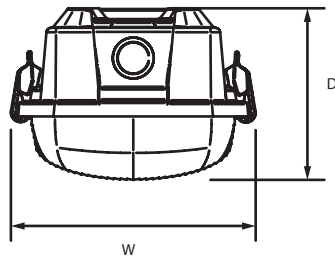
4 Foot



8 Foot



[Tapered Lens]



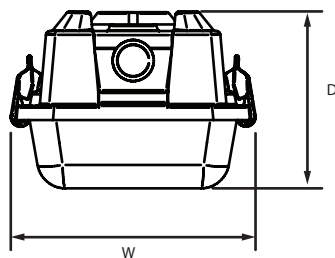
Specifications: Tapered

Length: 25-7/8", 50", 98"

Width: 6-5/8"

Depth: 4-7/8"

[Shallow Lens]



Specifications: Shallow

Length: 24", 48"

Width: 6-5/8"

Depth: 5"

PHOTOMETRICS

**11102-218**

Illuminance at a Distance

	Center Beam FC	Beam Width	
<b>1.7FT</b>	272 FC	4.5 FT	5.4 FT
<b>3.3FT</b>	72.3 FC	8.7 FT	10.5 FT
<b>5.0FT</b>	31.5 FC	13.2 FT	15.9 FT
<b>6.7FT</b>	17.5 FC	17.7 FT	21.3 FT
<b>8.3FT</b>	11.4 FC	21.9 FT	26.4 FT
<b>10.0FT</b>	7.87 FC	26.4 FT	31.8 FT

■ Vert. Spread: 105.8°  
 ■ Horiz. Spread: 115.6°

**11102-436**

Illuminance at a Distance

	Center Beam FC	Beam Width	
<b>1.7FT</b>	476 FC	4.5 FT	5.4 FT
<b>3.3FT</b>	126 FC	8.7 FT	10.5 FT
<b>5.0FT</b>	55.0 FC	13.2 FT	15.9 FT
<b>6.7FT</b>	30.6 FC	17.7 FT	21.3 FT
<b>8.3FT</b>	20.0 FC	21.9 FT	26.4 FT
<b>10.0FT</b>	13.7 FC	26.4 FT	31.8 FT

■ Vert. Spread: 105.8°  
 ■ Horiz. Spread: 115.6°

**11102-872**

Illuminance at a Distance

	Center Beam FC	Beam Width	
<b>1.7FT</b>	883 FC	4.5 FT	5.4 FT
<b>3.3FT</b>	234 FC	8.7 FT	10.5 FT
<b>5.0FT</b>	102 FC	13.2 FT	15.9 FT
<b>6.7FT</b>	56.8 FC	17.7 FT	21.3 FT
<b>8.3FT</b>	37.0 FC	21.9 FT	26.4 FT
<b>10.0FT</b>	25.5 FC	26.4 FT	31.8 FT

■ Vert. Spread: 105.8°  
 ■ Horiz. Spread: 115.6°

**11102-228**

Illuminance at a Distance

	Center Beam FC	Beam Width	
<b>1.7FT</b>	385 FC	4.5 FT	5.4 FT
<b>3.3FT</b>	102 FC	8.7 FT	10.5 FT
<b>5.0FT</b>	44.5 FC	13.2 FT	15.9 FT
<b>6.7FT</b>	24.8 FC	17.7 FT	21.3 FT
<b>8.3FT</b>	16.2 FC	21.9 FT	26.4 FT
<b>10.0FT</b>	11.1 FC	26.4 FT	31.8 FT

■ Vert. Spread: 105.8°  
 ■ Horiz. Spread: 115.6°

**11102-456**

Illuminance at a Distance

	Center Beam FC	Beam Width	
<b>1.7FT</b>	702 FC	4.5 FT	5.4 FT
<b>3.3FT</b>	186 FC	8.7 FT	10.5 FT
<b>5.0FT</b>	81.1 FC	13.2 FT	15.9 FT
<b>6.7FT</b>	45.2 FC	17.7 FT	21.3 FT
<b>8.3FT</b>	29.4 FC	21.9 FT	26.4 FT
<b>10.0FT</b>	20.3 FC	26.4 FT	31.8 FT

■ Vert. Spread: 105.8°  
 ■ Horiz. Spread: 115.6°




**11102-8112**

Illuminance at a Distance

	Center Beam FC	Beam Width	
<b>1.7FT</b>	1335 FC	4.5 FT	5.4 FT
<b>3.3FT</b>	354 FC	8.7 FT	10.5 FT
<b>5.0FT</b>	154 FC	13.2 FT	15.9 FT
<b>6.7FT</b>	85.9 FC	17.7 FT	21.3 FT
<b>8.3FT</b>	56.0 FC	21.9 FT	26.4 FT
<b>10.0FT</b>	38.6 FC	26.4 FT	31.8 FT

■ Vert. Spread: 105.8°  
 ■ Horiz. Spread: 115.6°

**DIMMERS**

Manufacturer	Dimmer SKUs
	NTSTV-DV NFTV DDTV DVSCTV DVSTV QSGRJ-XP QSGRJ-XE QSGRJ-XE QSGR-XE RMJ-5T GRX-TVI
	IP710-DLZ IP710-LFZ
	SR1200ZTUNV