

FIXTURE SPECIFICATIONS

INTENDED USE

The Specification grade Alcon Lighting Remy 11103-LP Low Profile gasket Enclosure Vaportite Series Wet Location LED Linear Ceiling Garage Canopy Light Fixture is the ideal solution for Warehouse, Gymnasium, or other mid to High-Ceiling applications where high output LED lighting is desired.

FEATURES

Construction: Fully gasket fiberglass upper body with cold-rolled steel white finish reflector.

Mounting: Stem, chain, swivel stem and surface mounting.

CRI: 80+

Input Voltage: 120/277V, 50/60Hz

Ambient Operating Temperature: -22°F (-30°C) ~ 122°F (50°C)

Listings: UL/CUL, CSA, IP65 and IP67, NSF International certified, ARRA compliant, Suitable for damp / wet location, Made in the USA

Warranty: 5 Years Carefree for Parts & Components (Labor Not Included)



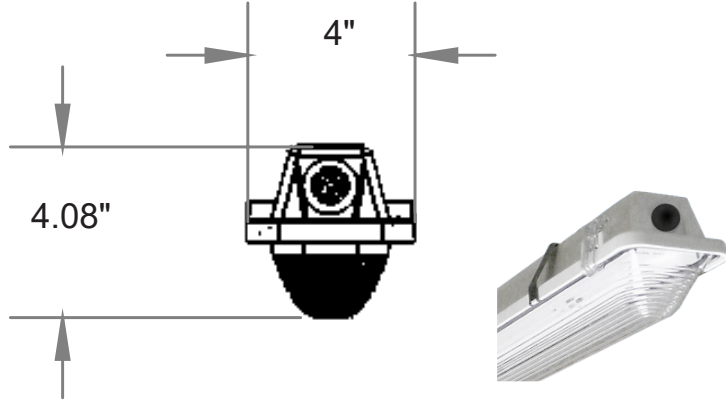
ORDERING INFORMATION Example: (11103-LP-218-27K-AL-010-N)

Model	Length Wattage Lumens	Color Temp	Lens	LED Driver	Distribution	Options
11103-LP	218 2' 18W 2272lm	27K 2700K	LR Linear Ribbed Clear Lens	010 <small>Standard</small> 0-10V 10% Dimming	N Normal	EM5 5W EM Battery Backup
	220 2' 20W 2460lm	30K 3000K	NLR Narrow Linear Ribbed Clear Lens	PH Philips Xitanium, 0-10V 1% dim	W¹ Wide	EM8 8W EM Battery Backup
	227 2' 27W 3215lm	35K 3500K		SD 40% / 100% Bi-Level Step dim		EM16 16W EM Battery Backup
	236 2' 36W 3969lm	40K 4000K		SDXX XX% / 100% Bi-Level Step dim (Specify XX: 10% ~ 70%)		SSL Stainless Steel Latch
	436 4' 36W 3969lm	50K 5000K				WLOS Wet Location Occupancy Sensor
	445 4' 45W 4723lm					WLDL Wet Location Daylight Motion Sensor
	456 4' 56W 5854lm					
	472 4' 72W 7363lm					
	872 8' 72W 7363lm					
	888 8' 88W 8871lm					
8112 8' 112W 11134lm						

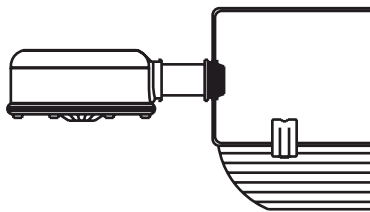
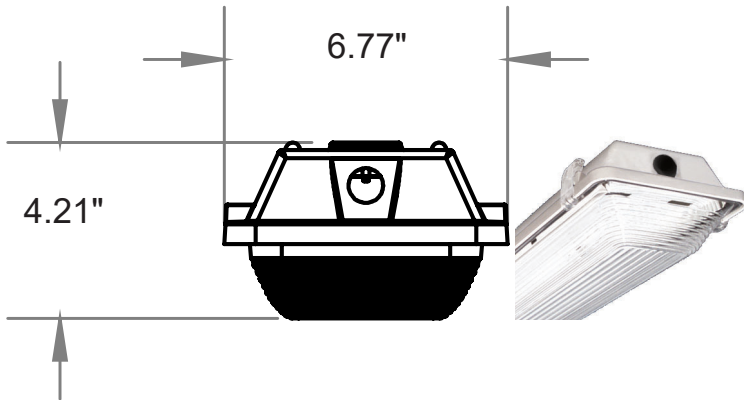
¹ Wide Distribution only Available for 2 and 4 foot lengths

DIMENSIONS

Narrow Linear Ribbed Clear Lens



Linear Ribbed Clear Lens



WLOS | WLDL

DIMMERS

Manufacturer	Dimmer SKUs
	NTSTV-DV NFTV DVTV DVSCTV DVSTV DVSCSTV QSGRJ-XP GRX-TVI 0-10V QSGRJ-XE QSGR-XE RMJ-5T
	IP710-LFZ
	SR1200ZTUNV
	ZBHA-CLM DIM
	EN-LCM-1R10V-GB2-BK EN-LCM-1R10V-GB2-BK/DR EN-ALC-1R10V-GB2-BK EN-ALC-1R10V-GB2-BK-DR
	ADF-120277 FD-301 FSP-202
	ISD BC
	SU-3E-00 (Enlighted Compact Sensor)