

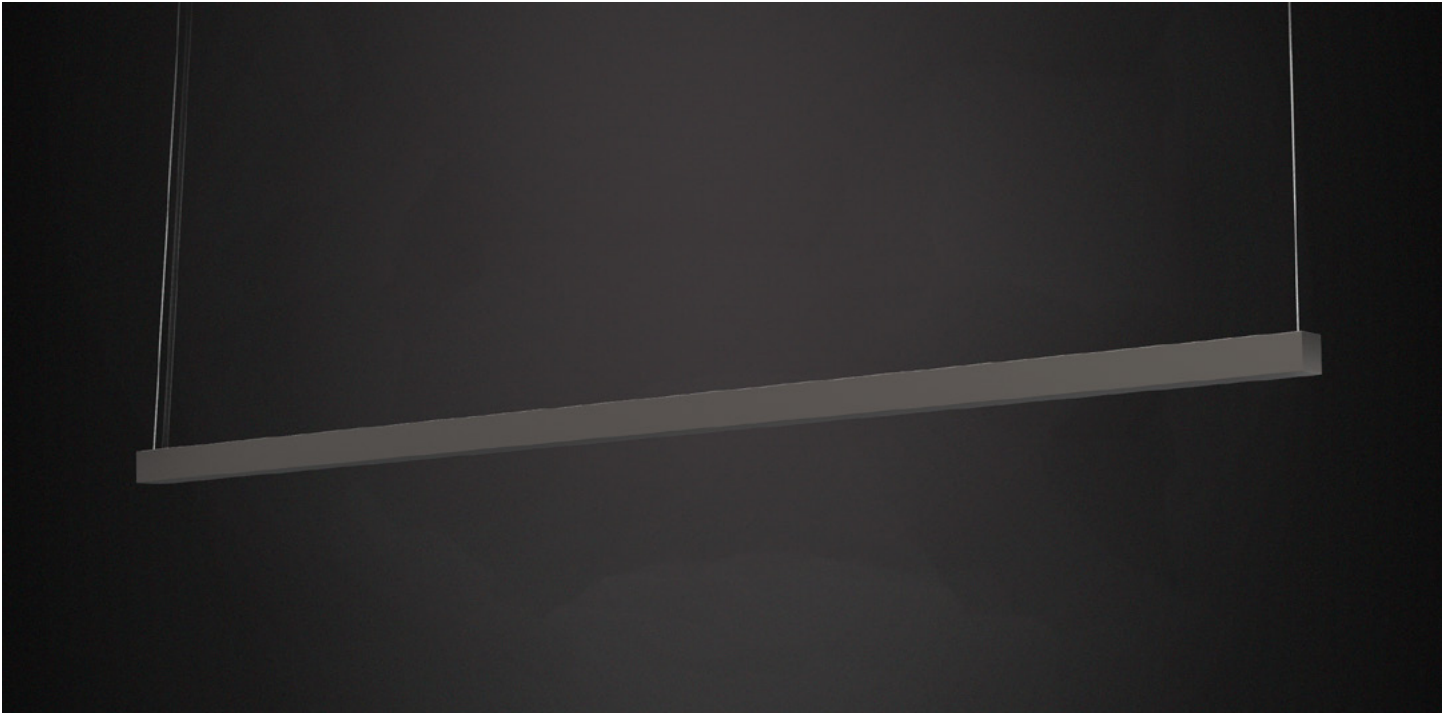
a·light

e l e m e n t s

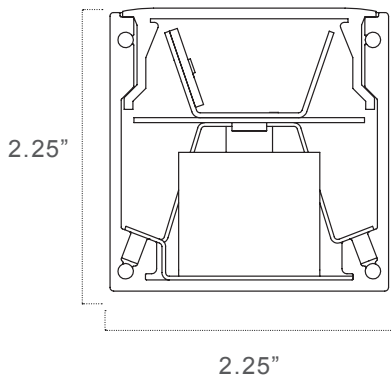


accoLED¹
suspended

indirect



wall

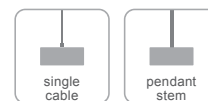


Delivered Lumens Pending Test Results.

Available Light Platforms:



Available Mounting:



Length:

All length dimensions are nominal, used for general length identification purposes. Actual lengths may vary by several inches. Lengths to 12' are individual fixtures and do not connect. Lengths beginning with "R" designate standard, nominal rows comprised of 4' and/or 8' sections.

Specify all modifications with the "integrations" specification sheet: nominal lengths other than the standards available here, rows longer than 24', exact lengths, patterns, span mount, mullion mount, etc.

Mounting:

Single Cable: (1) 4', 1mm stainless steel aircraft cable w/ fully adjustable grippers and locking device. 5' plastic-coated, silver-braided, flexible cord. Satin white, square canopy is standard.

LED:

5yr warranty. >60,000hr LED life. Tested to LM-79 and LM-80. See wattage/lumen table for specifications per foot. All specifications are subject to change.

Construction:

60% recycled aluminum extruded housing. Precision milled endcaps.

Finish:

Electrostatically applied powder coat finish.

Listing:

UL/CUL. Damp Location.

Wet Label:

Use accoLED1 Integrations for Wet Label. Indirect Wet Label requires submittal drawings.

Family Luminaires:

accoLED2 suspended/wall, accoLED3 suspended/ceiling/wall, accoLED4 wall, accoLED5 recessed.

Companion Luminaires:

D1 suspended, G1 suspended, E1 suspended

Legend:

1. Contact Factory for available Multi-circuit options.
2. Lens is required for use in wet or natatorium locations.
3. Symmetric distribution uses (2) boards in cross section, doubling lumen output.
4. Symmetric Wall Graze uses a single board in cross section.

Series: ACL1

Dimension: _____

nominal 4'	4
nominal 8'	8
nominal 12'	12
nominal 16' row	R16
nominal 20' row	R20
nominal 24' row	R24

Mounting: _____

single aircraft cable	S
pendant / rigid stem - indicate stem length	P__
pendant / rigid stem for earthquake zone - indicate stem length	PV__

Lamping: _____

LED standard output	LS
LED high output	LH

LED Temp: _____

3000k	30
3500k	35
4000k	40

Voltage: _____

universal 120V - 277V	U
120V	1
277V	2

Distribution: _____

symmetric ³	M
symmetric wall grazing ⁴	G
asymmetric	N

Optics: _____

open/no lens	O
clear dust cover	D
HTLO™ lens	H
WISP™ lens	S

Finish: _____

a-lightanium™	T
satin white	W
satin black	B
other - specify RAL#	O

Options: _____

dimming - specify manufacturer, model/series and voltage	D
emergency - IOTA IPL-SL-CP12 only	E
external fusing	F
multi-circuit ¹	M
new york city code	N
occupancy sensor	O
photocell/daylight sensor	P

wall

cove