

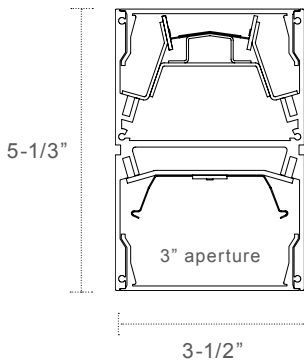
direct/indirect



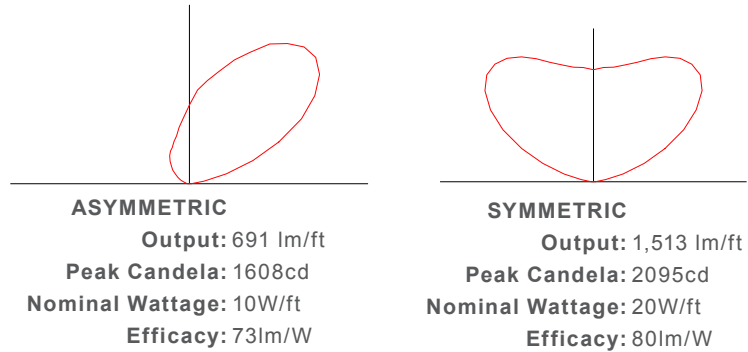
suspended



wall

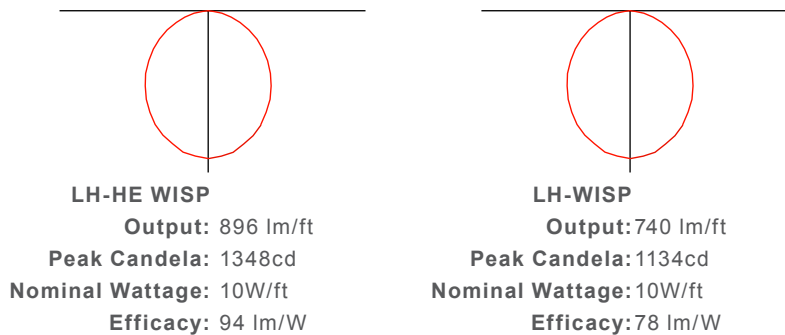


accolade 2 upper output Lumen Guide
LH-Diffuse Dust Cover



+

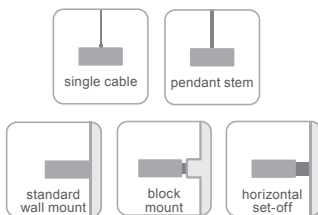
accolade 2 lower output Lumen Guide



Available Light Platforms:



Available Mounting:



Uplight Output + Downlight Output x length(ft) = total delivered lumens

Linear Dimensions:

All “elements” length dimensions are nominal, used for general length identification purposes. Actual lengths may vary by several inches. Lengths to 12’ are individual fixtures and do not connect. Lengths beginning with “R” designate standard, nominal rows comprised of 4’ and/or 8’ sections.

For nominal lengths other than the standards available here, rows longer than 36’, exact lengths, patterns, span mount, etc. see the “integrations” specification sheet.

Mounting:

Single Cable: 4’, 3/32” galvanized aircraft cable w/ fully adjustable grippers and locking device. 5’ plastic-coated, silver-braided, flexible cord. Satin white, square canopy is standard. [View installation instructions.](#)

Pendant/Stem: 3/8” stem and round canopy, painted white. Indicate pendant length. If specified for earthquake zone, a-light will provide swivel canopies.

Direct Wall Mount: Fixture mounts directly to wall. Power connects inside fixture using BX or MX style wiring. ADA compliant. [View installation instructions.](#)

Mullion Blocks: Precisely milled aluminum block mounts provide minimalistic appearance. 3/8”, 1/2”, 1” or 2” deep. ADA compliant with 3/8” or 1/2” blocks. (2) blocks provided per fixture, lengths 8ft or less; (3) blocks per 12ft.

Horizontal Set-Off Brackets: 1” or 1/2” deep set-off brackets cover a 4” junction box (by others). ADA compliant with 1/2” set-off. (2) brackets provided per length up to 12ft.

Output/Lamping:

LED:
5yr warranty. L70 >60,000hr LED life. Tested to LM-79 and LM-80. Built with **high-performance Nichia® LED’s**. Heat sync designed to ensure proper performance. LED boards are replaceable. Board position/quantity to be determined by factory.

Driver:

- Constant Current LED Systems:
- Inherent dimming
- Power Factor > 90%
- 90°C case rating
- Inherent short-circuit protection
- <20% total harmonic distortion
- Extreme low-temperature performance to -40°C
- Sound rating A
- UL/CSA Listed Class 2 rating
- IP66 rated
- Universal 120-277V

CRI:

80CRI is standard; 90+ is available upon request.

Standard Color Temp:

- 30 = 3000 K
- 35 = 3500 K
- 40 = 4000 K

Consult factory for special order color temperatures.

All specifications are subject to change.

Light Loss Factors:

- LH - **BASELINE**
- LS - 50%
- 5000K - 105%
- 4000K - **BASELINE**
- 3500K - 97%
- 3000K - 93%
- 2700K - 87%
- 80+CRI - **BASELINE**
- 90+CRI - 80%

T5/T5HO:

Single, dual or single staggered lamps in cross section. Program start is factory standard.

T8:

Single lamp in cross section. Instant start is factory standard: choose low <0.8BF; standard 0.8-1.0BF; high >1.0BF. Specify if program start or custom ballast factor is required.

Construction:

60% recycled aluminum extruded housing. Precision milled endcaps.

Finish:

Electrostatically applied powder coat finish. For custom color requests please contact factory.

Listing:

UL/CUL. Damp Location.

Wet Label:

Use accolade2 Integrations for Wet Label and Natatorium applications. Indirect Wet Label requires collaboration with our [Design Assist Department.](#)

Multi-circuit:

For custom configuration use D2 integrations

4’, 8’, 12’, etc. 

Standard multi-circuiting, all up / all down.

Family Luminaires:

D1 suspended, D3 suspended/ceiling/wall, D4 wall, D5 recessed

Companion Luminaires:

ACL2 suspended/wall, axial wall

Lower Optics:

LED



HE WISP™
even distribution
(HE)



WISP™
even distribution
(S)

Fluorescent



WISP™
even distribution
(S)



a-parabola™
louver
(P)



a-parabola™
wall wash louver
(W)



FIT™
white louver
(ZW)

Series: D2

Linear Dimension: _____

Nominal 4'	4
Nominal 8'	8
Nominal 12'	12
Nominal 16'	R16
Nominal 20'	R20
Nominal 24'	R24
Nominal 28'	R28
Nominal 32'	R32
Nominal 36'	R36

Upper Output: _____

LED standard output	LS
LED high output	LH

Color Temp: _____

3000k	30
3500k	35
4000k	40

Lower Output: _____

LED standard output	LS
LED high output	LH

Color Temp: _____

3000k	30
3500k	35
4000k	40

Voltage: _____

Universal 120V - 277V	U
347V	3

Lower Optics: _____

High Efficiency WISP™ lens <i>(recommended) patent pending</i>	HE
WISP™ lens	S
a·wash™ LED kicker + WISP	KS

Upper Distribution: _____

Symmetric two board batwing	M
Symmetric one board	G
Asymmetric	N

Upper Optics: _____

Open / No lens	O
Rigid diffuse dust cover	D

Single aircraft cable

Pendant / Rigid stem

Pendant / Rigid stem
for earthquake zone

Direct wall mount

Mullion blocks:

- 1 = 1"
- 2 = 2"
- 3 = 3/8"
- 5 = 1/2"

Horizontal setoff bracket:

- 1 = 1"
- 5 = 1/2"

a-lightanium™

Satin white

Satin black

Standard 0-10 dimming

Emergency - *battery*

External fusing

Multi-circuit

New York City code

Occupancy sensor

Photocell/daylight sensor

Wet label / natatorium

Mounting: _____

S

P _____

PV _____

R

M _____

H _____

Finish: _____

T

W

B

Options: _____

D

E1

F

M

N

O

P

Indicate stem length (1.00 - 36.00) contact factory for lengths over 36.00

Not applicable for soft wall materials (ie. gyp). For soft walls, choose horizontal wall bracket.

(1) em located at one end of the luminaire. For custom configuration, or multiple em sections, see D2 integrations

Standard multi-circuiting: see page 2 for standards.

Standard on/off occupancy sensor: Wattstopper FS-205 with minimal 1" diameter.

Standard fixture-integrated dimming Photosensor: Wattstopper FS-301

Use accolade2 Integrations for Wet Label and Natatorium applications. Indirect Wet Label requires collaboration with our Design Assist Department

Series: D2

Linear Dimension: _____

Nominal 4'	4
Nominal 8'	8
Nominal 12'	12
Nominal 16'	R16
Nominal 20'	R20
Nominal 24'	R24
Nominal 28'	R28
Nominal 32'	R32
Nominal 36'	R36

Upper Lamping: _____

T5 (1)	S
T5HO (1)	H
T5 (2)	D
T5HO (2)	O
T5 staggered	2 <i>Staggered lamping not available on lengths less than 8ft. 8ft length uses 3-3ft lamps. 12ft uses 2-3ft and 2-4ft lamps.</i>
T5HO staggered	4
T8 (1) low output	T8L
T8 (1) standard output	T8S
T8 (1) high output	T8H

Lower Lamping: _____

T5 (1)	S
T5HO (1)	H
T5 (2)	D
T5HO (2)	O
T5 staggered	2 <i>Staggered lamping not available on lengths less than 8ft. 8ft length uses 3-3ft lamps. 12ft uses 2-3ft and 2-4ft lamps.</i>
T5HO staggered	4
T8 (1) low output	T8L
T8 (1) standard output	T8S
T8 (1) high output	T8H

Voltage: _____

Universal 120V - 277V	U
120V	1
277V	2
347V	3

Lower Optics: _____

WISP™ lens	S
a·lenszilla™ white louver + lens: choose "A" or "H"	ZW__
a·lenszilla™ aluminum louver + lens: choose "A" or "H"	ZA__
a·parabola™ louver	P
a·parabola™ wall wash louver	W
FIT™ white louver	ZW
FIT™ aluminum louver	ZA
a·wash™ kicker + lens: choose "A" "H" or "S"	K__ <i>Not available with staggered or dual lamping</i>
FIT™ white louver	ZW
FIT™ aluminum louver	ZA
a·graze™ white louver + specular reflector	GW

Upper Distribution: _____

symmetric
Asymmetric w/ saw-tooth baffle
Asymmetric w/o saw-tooth baffle

M
T <i>Not available with staggered or dual lamping</i>
N

Upper Optics: _____

Open / No lens
Clear rigid dust cover

O
D

Mounting: _____

Single aircraft cable
Pendant / rigid stem <i>indicate stem length</i>
Pendant / rigid stem <i>for earthquake zone indicate stem length</i>
Direct wall mount

S
P _____ <i>Indicate stem length (1.00 - 36.00) contact factory for lengths over 36.00</i>
PV _____
R

Mullion blocks:
1 = 1"
2 = 2"
3 = 3/8"
5 = 1/2"

M _____ <i>Not applicable for soft wall materials (ie. gyp). For soft walls, choose horizontal wall bracket.</i>

Horizontal setoff bracket:
1 = 1"
5 = 1/2"

H _____

Finish: _____

a·lightanium™
Satin white
Satin black

T
W
B

Options: _____

Standard 0-10 dimming

D

Emergency - battery

E1 <i>Located at one end of the luminaire. For custom configuration, or multiple em sections, see D2 integrations 0-10 dimming required</i>
--

External fusing

F

Multi-circuit

M <i>Standard multi-circuiting: see page 2 for standards.</i>
--

New York City code

N

Occupancy sensor

O <i>Standard on/off occupancy sensor: Wattstopper FS-205 with minimal 1" diameter.</i>
--

Photocell / Daylight sensor

P <i>Standard fixture-integrated dimming Photosensor: Wattstopper FS-301</i>

Wet label / Natatorium

<i>Use accolade2 Integrations for Wet Label and Natatorium applications. Indirect Wet Label requires collaboration with our Design Assist Department</i>
--