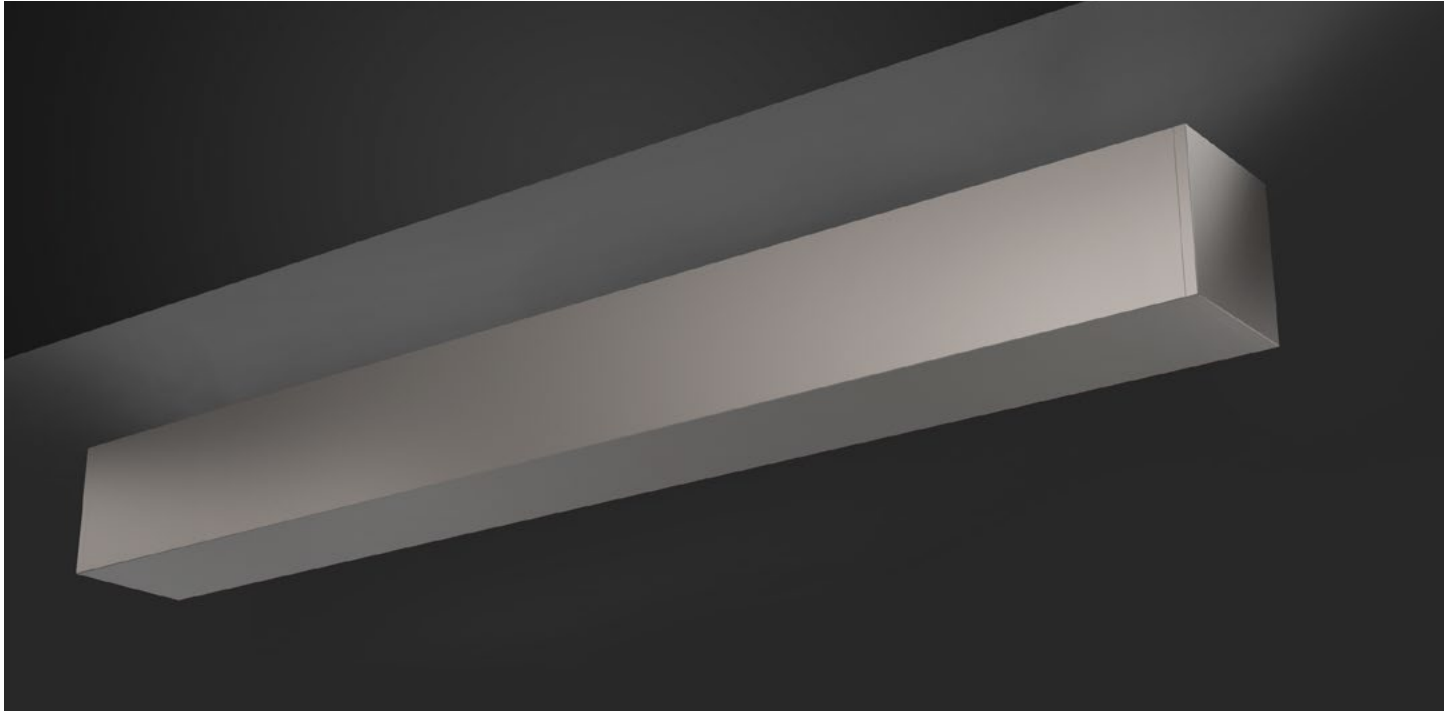
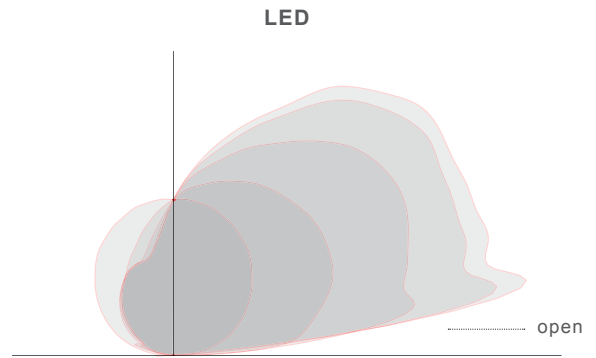
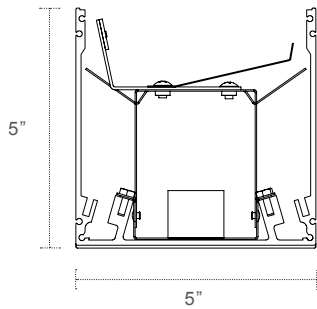


indirect



wall



LED	symmetric 2 boards in cross		asymmetric 1 board in cross	
	watts/ft	lumens/ft	watts/ft	lumens/ft
LS	10	1200	5	600
LH	20	2400	10	1200

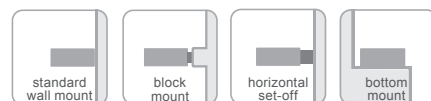
Lumens at board at 4000k.
Consult IES files online for delivered lumens.

Specifications subject to change.

Available Light Platforms:



Available Mounting:



interior exterior

Mounting:

Standard Wall Mount: Fixture mounts directly to wall. Power connects inside fixture using BX or MX style wiring.

Wall Blocks: Precisely milled aluminum block mounts provide minimalistic appearance. 3/8", 1/2", 1" or 2" deep. (2) blocks provided per fixture, lengths 8ft or less; (3) blocks per 12ft.

Horizontal Set-Off Brackets: 1" or 1/2" deep set-off brackets cover a 4" junction box (by others). (2) brackets provided per length up to 12ft.

Bottom Mount: Fixture sits on cove, shelf, beam, mullion or other. Power connects inside fixture using BX or MX style wiring.

Lengths:

All length dimensions are *nominal*, used for general length identification purposes. Actual lengths may vary by several inches. Lengths to 12' are individual fixtures and do not connect. Lengths beginning with "R" designate standard, nominal rows comprised of 4' and/or 8' sections.

Specify all modifications with the "integrations" specification sheet: nominal lengths other than the standards available here, rows longer than 24', exact lengths, patterns, span mount, mullion mount, etc.

LED:

5yr warranty. >60,000hr LED life. Tested to LM-79 and LM-80. See wattage/lumen table for specifications per foot. All specifications are subject to change.

T5/T5HO:

Single, dual or staggered lamps in cross section. Program start is factory standard.

T8:

Single, dual or single staggered lamps in cross section. Instant start is factory standard: choose low <0.8BF; standard 0.8-1.0BF; high >1.0BF. Specify if program start or custom ballast factor is required.

Construction:

60% recycled aluminum extruded housing. Precision milled endcaps.

Finish:

Electrostatically applied powder coat finish.

Listing:

UL/CUL. Damp Location.

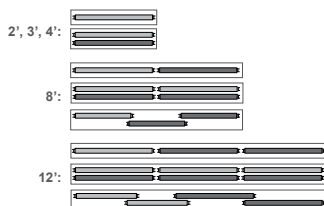
Companion Luminaires:

G1 suspended, G3 suspended/ceiling/wall, G5 recessed

Legend:

- Emergency ballast not applicable on lengths 3ft or less.
- Standard multi-circuiting: see fixture chart below.
- Standard on/off occupancy sensor: Wattstopper FS-205 with minimal 1" diameter.
- Standard occupancy sensor with photocell: Wattstopper FS-205 wired for daylight harvesting. Requires 0-10V dimming ballast.
- Fluorescent only. Not available with staggered or dual lamping.
- Lens is required for use in wet or natatorium locations.
- Staggered lamping not available on lengths less than 8ft. 8ft length uses 3-3ft lamps. 12ft uses 2-3ft and 2-4ft lamps.
- LED configuration uses (2) boards in cross section, doubling lumen output.
- LED or fluorescent 1 lamp in cross section. Not available with staggered or dual lamping.

Multi-circuit standards



Series: **G4**

Dimension:

nominal 2'	2
nominal 3'	3
nominal 4'	4
nominal 8'	8
nominal 12'	12
nominal 16' row	R16
nominal 20' row	R20
nominal 24' row	R24

Lamping:

LED standard output	LS
LED high output	LH
T5 (1)	S
T5HO (1)	H
T5 (2)	D
T5HO (2)	O
T5 staggered	2
T5HO staggered	4
T8 (1) low output	T8L
T8 (1) standard output	T8S
T8 (1) high output	T8H
T8 (2) low output	T8LD
T8 (2) standard output	T8SD
T8 (2) high output	T8HD
T8 staggered low output	T8LS
T8 staggered standard output	T8SS
T8 staggered high output	T8HS

LED Temp (if applicable):

3000k	30
3500k	35
4000k	40

Voltage:

universal 120V - 277V	U
120V	1
277V	2
347V	3

Distribution:

symmetric	8	M
symmetric wall grazing (narrow reflector)	8	G
asymmetric w/ sawtooth	5	T
asymmetric w/o sawtooth	9	N

Optics:

open/no lens	O
dust cover	D

Mounting:

standard wall mount	R
wall mount blocks 1"	M1
wall mount blocks 2"	M2
wall mount blocks 3/8"	M3
wall mount blocks 1/2"	M5
horizontal setoff bracket 1"	H1
horizontal setoff bracket 1/2"	H5
bottom mount	O

Finish:

a-lightanium™	T
satin white	W
satin black	B
textured eggshell white	E
other - specify RAL#	O

Options:

dimming - specify manufacturer, model/series and voltage	D	
emergency - specify model/series or lumens	1	E
external fusing	F	
multi-circuit	2	M
new york city code	N	
occupancy sensor	3	O
photocell/daylight sensor	4	P
natatorium application	6	K
wet label	6	Q

wall
cove