

a·light  
elements



X6  
suspended | ceiling

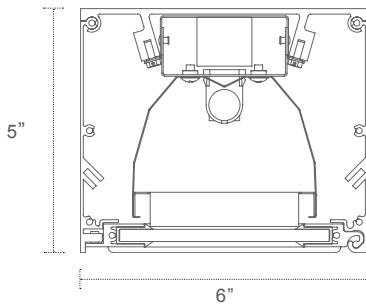
direct



suspended



ceiling



single T5 fluorescent



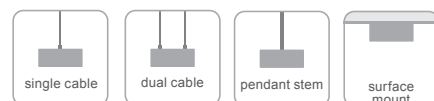
LED per foot	1 board in cross	
	watts/ft	lumens/ft
LL	2	120
LS	5	600

specifications subject to change  
~ lumens at 4000k

Available Light Platforms:



Available Mounting:



**Mounting:**

*Single or Dual Cable:* (1) or (2) 4', 3/32" galvanized aircraft cable w/ fully adjustable grippers and locking device. 5' plastic-coated, silver-braided, flexible cord. Satin white, square canopy is standard.

*Pendant/Stem:* 3/8" stem and round canopy, painted white. Indicate pendant length. If specified for earthquake zone, a-light will provide swivel canopies.

*Ceiling/Surface Mount:* Fixture mounts directly to ceiling, power connects inside fixture using BX or MX style wiring.

**Lengths:**

All length dimensions are nominal and used for general length identification purposes. Actual lengths may vary by several inches. Luminaires are individual fixtures and are not connectable.

**LED:**

5yr warranty. >60,000hr LED life. Tested to LM-79 and LM-80. See wattage/lumen table for specifications per foot. All specifications are subject to change.

**T5/T5HO:**

Single or dual lamps in cross section. Program start is factory standard.

**T8:**

Single or dual lamps in cross section. Instant start is factory standard: choose low <0.8BF; standard 0.8-1.0BF; high >1.0BF. Specify if program start or custom ballast factor is required.

**Construction:**

60% recycled aluminum extruded housing. Precision-milled endcaps. Impact-resistant, 1/4" tempered glass or polycarbonate outer lens. Neoprene gasketed, hinged, aluminum extruded door frame.

**Finish:**

Electrostatically applied powder coat finish housing with clear anodized aluminum door frame. Housing cannot be anodized.

**Listing:**

UL/CUL. Wet Location.

**Legend:**

- 1. Standard multi-circuiting: see fixture chart below.
- 2. a-cirrus™ recommended for LED.

Series: X6

Dimension: \_\_\_\_\_

nominal 4' | 4  
nominal 8' | 8

Lamping: \_\_\_\_\_

LED low output <sup>2</sup> | LL  
LED standard output <sup>2</sup> | LS  
T5 (1) | S  
T5HO (1) | H  
T5 (2) | D  
T5HO (2) | O  
T8 (1) low output | T8L  
T8 (1) standard output | T8S  
T8 (1) high output | T8H  
T8 (2) low output | T8LD  
T8 (2) standard output | T8SD  
T8 (2) high output | T8HD

LED Temp (if applicable): \_\_\_\_\_

3000k | 30  
3500k | 35  
4000k | 40

Voltage: \_\_\_\_\_

universal 120V - 277V | U  
120V | 1  
277V | 2  
347V | 3

Lens: \_\_\_\_\_

clear tempered glass | G  
clear polycarbonate | P

Optics: \_\_\_\_\_

a-cirrus™ lens <sup>2</sup> | A  
white blade baffle | B

Mounting: \_\_\_\_\_

single aircraft cable | S  
dual aircraft cable | D  
pendant / rigid stem - indicate stem length | P\_\_  
pendant / rigid stem for earthquake zone - indicate stem length | PV\_\_  
surface/ceiling mount | F

Finish: \_\_\_\_\_

a-lightanium™ | T  
satin black | B  
dark bronze | DB  
other - specify RAL# | O

Options: \_\_\_\_\_

dimming - specify manufacturer, model/series and voltage | D  
emergency (fluorescent only) - specify model/series or lumens | E  
external fusing | F  
multi-circuit <sup>1</sup> | M  
new york city code | N

suspended

ceiling

site

Multi-circuit standards

