

RECESSED

ZOOM
an Atlantic Lighting brand

ZR-66SC LED series recessed - grid & drywall

GET A QUOTE >

Project: _____
Type: _____
Catalog number: _____

specifications | 120-277 Volt

- The Recessed series has a 20 gauge cold rolled steel housing. Exterior will be powder coated white (standard). The die formed cold rolled steel reflector is painted with minimum 90% reflective gloss white enamel. See ordering key for shielding options.
- This fixture is offered in four nominal lumen levels, from 1100 lumens/foot to 4950 lumens/foot. In 4-foot fixture lengths, the 1100 L/ft. is designed to replace a standard single T5HO. Contact factory for other lumen levels.
- Grid mount is designed to accept standard 15/16" grid (G) as well as 9/16" mini-grid (MG). Grid mount fixtures are available in 24" and 48" fixture lengths.
- Flanged recessed mount is designed to fit in standard drywall ceilings. This is done with a visible flange (FR). Contact factory with special ceiling style requests.

OSRAM PrevaLED - Linear LED Board

- CRI >80
- Even and diffuse light
- Color variation within 3-step MacAdam Ellipse



OSRAM Optotronic LED Driver

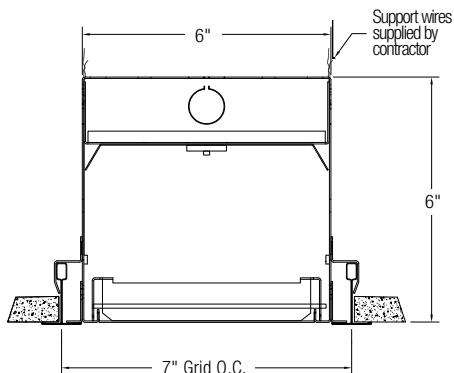
- 120V through 277V universal driver is standard. Contact factory for 347V.
- Dimmable, instant 100% light (1%-100%) via: 0-10V protocol. 5-year warranty.

Listed to UL and CSA standards. Damp Location.

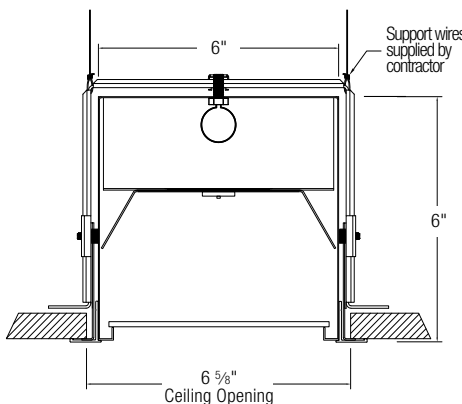
Specifications and dimensions subject to change without notice.



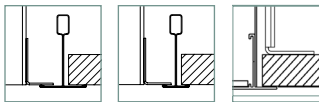
Available photometrics at atlantic-lighting.com.



Grid mount
shown with lift & shift lens



Drywall mount
shown with lift & shift lens



G Grid ceiling
MG Mini grid ceiling
FR Flanged recessed (drywall)

ordering data

MODEL ZR-66SC

ZR-66SC LED Recessed

DIRECTION D

D Direct

SHIELDING WA

WA Frosted white acrylic lens

NOMINAL LUMENS/FT

LED550 550 lumen/ft. 5w/ft.
LED1100 1100 lumen/ft. 9w/ft.
LED1650 1650 lumen/ft. 13w/ft.

Wattages based on a 4-foot fixture with a single driver.

Listed lumens and wattages are component measurements. See photometrics for fixture values.

COLOR TEMPERATURE

3K 3000K
35K 3500K
4K 4000K

LENGTH

2 2 ft.
3 3 ft.
4 4 ft.
X Replace X with run length. (specify run length in feet)

MOUNTING

G Grid mount*
MG Mini grid mount*
FR Flanged recessed (drywall)

Grid mount and mini grid mount are available in 2ft. & 4ft. only.

FINISH

WH White
CC Custom color

DIMMING

0-10V DC standard, leave box blank
2WR 2-wire. TRIAC forward-phase or ELV reverse-phase (100%-1%) (TRIAC is 120V only)
DAL DALI (100%-1%)

OPTIONS

DMX DMX analog interface, remote

P/N Example: ZR-66SC-D-WA-LED1650-3K-8-FR-WH

ZR-66SC-D-WA-LED1650-3K-8-FR-WH

model direction lumens length finish options
shielding temp mounting



ATLANTIC
LIGHTING

T: 508 678-5411 | F: 508 678-5408 www.atlantic-lighting.com

011118 ZL18-015