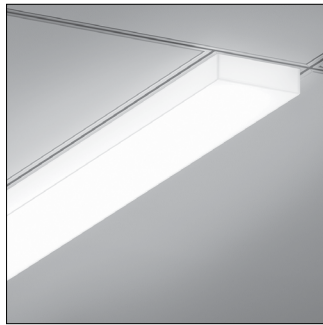
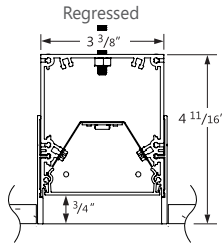
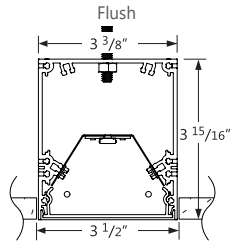


Flush shielding option



StepLens option



*Check the latest update on the DLC website for complete information. Not all versions may be DLC qualified. See page 2 for DLC Approved options

Project _____

Type _____

Notes _____

PERFORMANCE PER LINEAR FOOT AT 4000K

NOMINAL LUMEN OUTPUT	INPUT WATTS*	EFFICACY
400 lm/ft	3.7 W/ft	109 lm/W
500 lm/ft	4.6 W/ft	108 lm/W
750 lm/ft	7.1 W/ft	105 lm/W
1000 lm/ft	9.7 W/ft	103 lm/W

* Based on a 4 foot luminaire using one driver
Please consult factory for custom lumen output and wattage.



TECHZONE™ AND LOGIX™ COMPATIBLE for more info see page 4



cULus Listed Type I.C.



StepLens



CONTROL SENSORS

Ordering Guide

BMRLED		NOM. LUMENS/FT		CRI	COLOR TEMP.	SHIELDING		LENGTH
PRODUCT ID	BMRLED Recessed LED	400	400 lm/ft - Minimum	80	27 2700 K	FL	flush	2
		1000	1000 lm/ft - Maximum	90	30 3000 K	RG	regressed	3
					35 3500 K	0.25G	0.25" Glo lens	4
					40 4000 K	1.25M	1.25" StepLens, lum. end cap	5
						1.25P	1.25" StepLens, opaque end cap	6
							8	
							12	
							S#	
		Outputs between listed min and max are available. Consult factory for outputs outside of the listed range.			Consult Axitune spec sheet for Axis color technology options		All lens options use spotless lens. See page 3 for more details	

MR (OPTIONAL)		FINISH	VOLTAGE	DRIVER	CIRCUITS
M16(#)	MR halogen lamp - Line voltage (by other) ⁽¹⁾	W white	120 120 V	DP dimming (0-10V) 1%	1 1 circuit
M16LED(#)	MR16 LED lamp - Line voltage (by other) ⁽¹⁾	C custom	277 277 V	LT Lutron ⁽³⁾	2 2 circuits
M16LEDB(#)	MR16 LED lamp - Dimmable (provided) ⁽²⁾		347 347 V	BI bi-level dimming	+E(#) emergency circuit ⁽⁵⁾
			UNV universal	O other ⁽⁴⁾	+NL(#) night light circuit ⁽⁵⁾
					+GTD(#) generator transfer device ⁽⁵⁾
					+LDI LED downlight insert
(1) Specify quantity; Line wattage only; Separate circuits included				(3) Specify system	
(2) Consult factory; See page 4 for more details; M16 constant current for 0-10V & DALI only. Available in 2700K or 3000K;				(4) Please consult factory; see page 2 Consult Axitune spec sheet for Axis color driver options	
				(5) Specify quantity	

MOUNTING		BATTERY (OPTIONAL)	OTHER (OPTIONAL)	IC CONTROLS (OPTIONAL)	CUSTOM (OPTIONAL)
TB9	t-bar 9/16"	B# battery pack 4' sections	F fuse ⁽⁷⁾	DS# Daylight sensor	C custom
TB15	t-bar 15/16"		EF end feed	OS# occupancy sensor	
ST	screw slot t-bar		FW(#) flex whip (6' std)	DOS# Daylight & occupancy sensor	
TG9	tegar 9/16"		CP Chicago plenum	EN# Enlighted integral ⁽¹⁰⁾	
TG15	tegar 15/16"		HD hold-down clip ⁽⁸⁾	ENR# Enlighted remote ⁽¹¹⁾	
DF	drywall flange		AR air return plate ⁽⁹⁾	WC# wireless control dimming	
D	drywall flangeless		SR sprinkler plate ⁽⁹⁾		
DB	slip-through bracket		SPK speaker plate ⁽⁹⁾		
DS	drywall spackle flange				
TX	tx Hunter Douglas techstyle ⁽⁶⁾				
(6) TX available with flush lens only		Not available with 347V. Please consult factory	(7) Requires 120V or 277V (8) Only available for t-bar mounting (9) Please consult factory	(10) For flush and regressed option only; Please consult factory (11) Please consult factory. Specify quantity. Requires 8" blank. See integrated controls guide for more details.	Please specify

● SPECIFICATIONS

CONSTRUCTION

Housing	Extruded aluminum (0.075" nominal) Up to 70% recycled content
Interior Brackets	Die formed sheet steel (18 gauge)
Reflectors	White powder coated sheet steel (22 gauge)
Blank	Extruded aluminum (0.075" nominal)
Lens	Spotless acrylic lens
T-Bar Bracket	Die formed sheet steel (16 gauge)
Screw Slot T-Bar Bracket	Die formed sheet steel (16 gauge)
Slip-Through Bracket	Die formed sheet steel (18 gauge)
Spackle Flange	Die formed perforated sheet steel (20 gauge)
Flange	Extruded aluminum (0.075" nominal) Visible flange width: 9/16"

● ELECTRICAL


Lutron driver*	LDE1 - EcoSystem H-Series (1%) LDE5 - EcoSystem 5-Series (5%) LTE - Hi-Lume® A-series 2Wires Forward Phase (1%) <small>*Consult factory</small>
Other drivers	DALI - Digital Addressable Lighting Interface DMX - Digital Multiplex LV - line voltage - Advance Mark 10 Xitanium SR - For wireless sensor POE (Power over Ethernet) - Low Voltage Lighting System.
Emergency	Integral emergency battery pack or emergency circuit optional.
Input Voltage	120V, 277V, 347V, UNV.
Flex Whip	Shipped in a separate box for contractors to install

i Incorporating these components may have limitations or affect the length of the luminaire. Please contact factory for more details.

● SYSTEM (S#)

BEAM 3 LED linear systems, with the use of a strong profile, allow for a nearly hair thin connection system of continuous runs. Lengths of 4', 8', 12' as well as custom lengths are available. Runs of BEAM 3 LED that are greater than 12' in length are designated as systems (S#). This means that the run is comprised of a combination 4', 8' and/or 12' sections to be assembled on site using our joining system. For more information on systems and joining, please refer to the BEAM 3 LED installation sheets available for download at www.axislighting.com.

● APPROVALS

Certified to UL and CSA standards 
Meets NYC requirements
Meets CCEC requirements (Chicago plenum)
Suitable for damp locations
IC Rated (Insulated ceiling)

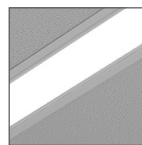
● DLC Approved Options



*Check the latest update on the DLC website for complete information. Not all versions may be DLC qualified.

OUTPUT	CRI	COLOR TEMP.	SHIELDING	LENGTH	FINISH	VOLTAGE	DRIVER	CIRCUITS
400 lm/ft	80	3000 K	FL	4'	white	universal	DP	any except
650 lm/ft		3500 K		5'				LDI and M
850 lm/ft		4000 K		6'				
				7'				
				8'				
				9'				
				10'				
				11'				
				12'				

● SHIELDING - Frosted acrylic Spotless lens



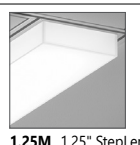
FL flush



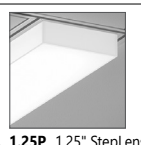
RG regressed



0.25G 0.25" GloLens



1.25M 1.25" StepLens, lum. end cap

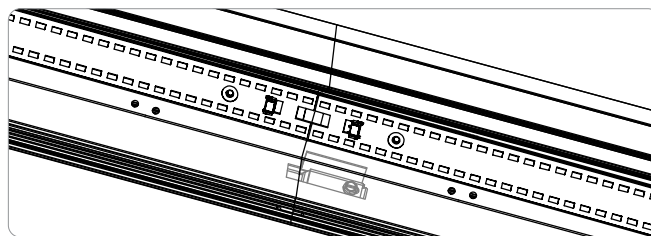
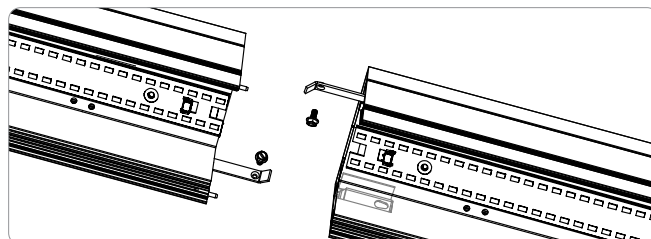


1.25P 1.25" StepLens, opaque end cap



● JOINERS

In order to allow very long runs of BEAM 3 LED luminaires, Axis has developed a number of different joining systems. Special care has been taken to maximize the performance of the joiner for each BEAM 3 LED option.



JOINER SYSTEM

NOTE: Hang each system segment individually. Do not assemble system prior to hanging.

● WEIGHT

Recessed LED 4 ft	12.3 lbs / 5.0 kg
Recessed LED 8 ft	24.6 lbs / 10.1 kg
Recessed LED 12 ft	36.9 lbs / 15.1 kg

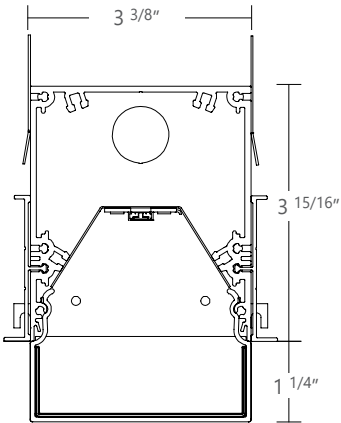
● FINISHES

Powder coated and custom finishes are also available.

● LED SYSTEM

CRI	Minimum 80 or 90 color rendering index
CCT	Choice of 2700K, 3000K, 3500K and 4000K color temperature with a great color consistency (within 3.5-step MacAdam ellipse).
LED life	Minimum 50,000h with 70% of lumen maintenance in 25°C ambient temperature, in compliance with IES LM-80 testing measurements.
Thermal management	Aluminium housing acting as the heat sink to maximize life.

STEP LENS OPTION



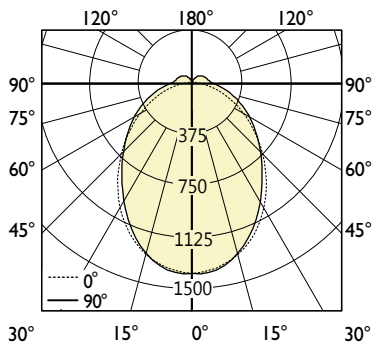
PERFORMANCE

LUMENS	WATTS	EFFICACY
950 lm/ft	8.73 W/ft	110 lm/W

950 lm/ft lm with 1.25" StepLens



PHOTOMETRIC CURVE



Total Lumens: 3783 lm (for 4ft)
Input Watts: 33.9 W
Efficacy: 112 lm/W

IES FILE: BMRLED-950-80-35-1.25M-4-W

CANDELA DISTRIBUTION

Vertical Angle	Horizontal Angles				
	0	22.5	45	67.5	90
0	1405	1405	1405	1405	1405
5	1391	1396	1393	1400	1405
15	1310	1321	1310	1303	1305
25	1159	1163	1142	1120	1116
35	955	960	932	907	899
45	734	746	730	718	713
55	524	547	552	554	555
65	336	370	397	412	414
75	177	222	264	285	287
85	59	109	159	180	183
90	21	72	120	142	143
95	17	66	110	129	130
105	12	56	94	111	113
115	9	43	80	96	99
125	6	32	65	81	85
135	4	22	46	64	68
145	2	11	30	41	45
155	1	3	14	24	27
165	0	0	2	6	9
175	0	0	0	0	0
180	0	0	0	0	0

ZONAL LUMENS

Zone	Lumens
0	
0-10	132
10-20	368
20-30	524
30-40	583
40-50	564
50-60	491
60-70	386
70-80	266
80-90	157
90-100	104
100-110	86
110-120	68
120-130	50
130-140	32
140-150	17
150-160	6
160-170	1
180	

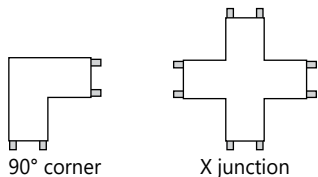
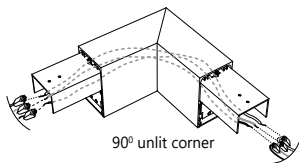
LUMINANCE DATA (cd/m²)

Vertical Angle	Horizontal Angles		
	0	45	90
45	9528	7701	7057
55	8297	6593	6102
65	7096	5662	5300
75	5880	4856	4564
85	4939	4301	3999

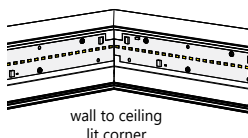
i All IES files are available for download at: www.axislighting.com

CORNERS

Unlit Corners - BEAM 3 LED features a multitude of layout patterns with the use of a number of corners, 90° corner, T or X junctions.



Lit Corners - Axis also offers lit 90° corners including ceiling to ceiling, wall to ceiling and ceiling to wall.



i For custom corner angles, please consult factory. Specifications sheets for all corners are available at: www.axislighting.com

*For StepLens please consult factory.

WARRANTY

Axis Lighting will warrant defective LEDs, boards, and drivers for 5 years from date of purchase. Warranty is valid if luminaire is installed and used according to specifications. If defective, Axis will send replacement boards or drivers at no cost along with detailed replacement instructions and instructions on how to return defective components to Axis.

OTHER MOUNTING OPTIONS

BEAM 3 LED is also available with pendant, surface, wall, wall vertical, recessed asymmetric and recessed vertical mounted options.

i Specification sheets and installation sheets for all mounting for BEAM 3 LED luminaires are available for download at: www.axislighting.com

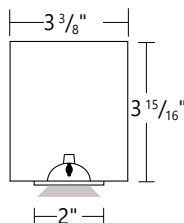
TECHZONE™ AND LOGIX™

Integrated contiguous modules for PA speakers, Air Returns and Sprinkler Heads are available for our recessed Beam products to add a consistent linear system to complete the illuminated portion.

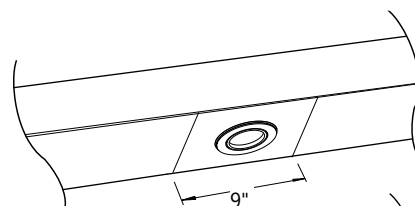


MR16 LED LAMPS

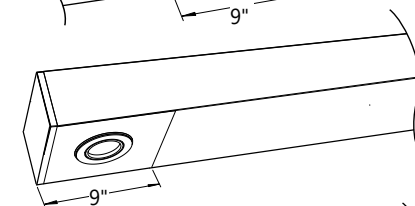
Blank	Extruded aluminum (0.075" nominal)
MR16 Halogens	Adjustable halogen lamp 35W / 50W (by others) - Line voltage dimming only
MR16 LED	Adjustable LED lamp (provided)- Line voltage dimming only
MR16 LEDB	Constant current LED lamp (provided)- Dimmable by control system for 0-10V DALI only
Quantity	For every 4' section, there may be up to a maximum of 4 x MR16 LED lamps.
Spacing	Each MR16 LED lamp is placed centered on a blank section 9" in length. For a series of MR16's within a given section length, they will be spaced evenly on a longer blank section. The directed light of MR16 LED lamps are fixed downward. Custom spacing may be available on special request.



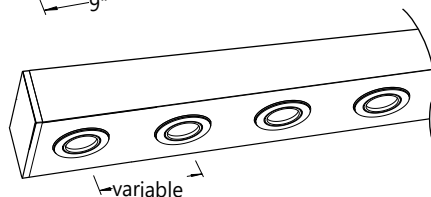
Between sections



At luminaire ends



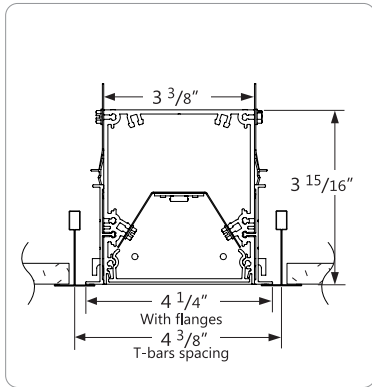
Several in a long blank section



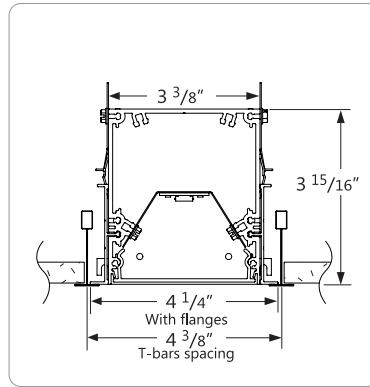
Base Type	GU 5.3
Beam Angle	40 nominal degrees
Input Watts	6W
Nominal Lumens	300 lumens
Efficacy	50 lumens per watt
Color Rendering Index (CRI)	85
Center Beam Candle Power (CBCP)	584 candelas
Life	25,000 hours at L ₇₀
Correlated color temperature (CCT)	2700K, 3000K

i More options are available upon request. Please consult factory.

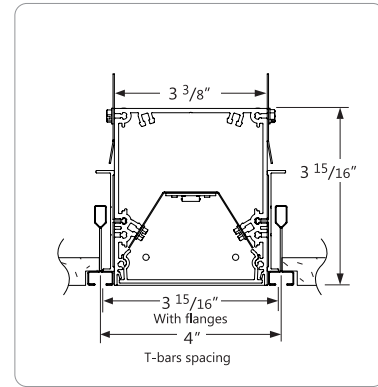
● TB CEILING MOUNTING OPTIONS



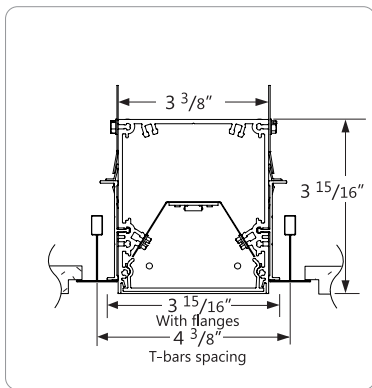
TB15 15/16" T-BAR



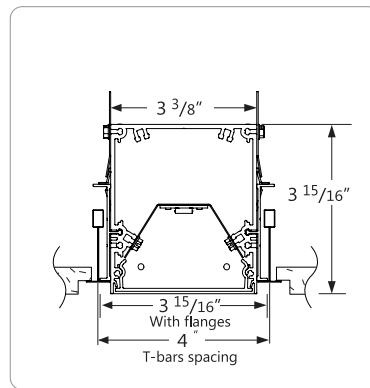
TB9 9/16" T-BAR



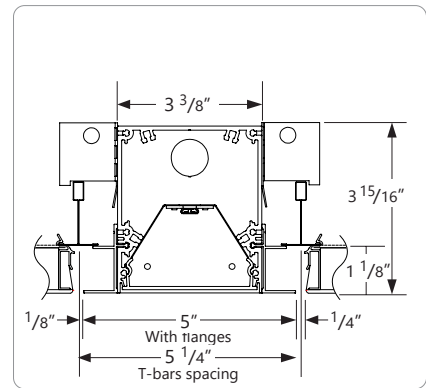
ST SCREW SLOT T-BAR



TG15 15/16" TEGULAR

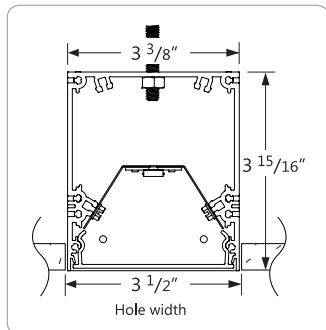


TG9 9/16" T-TEGULAR

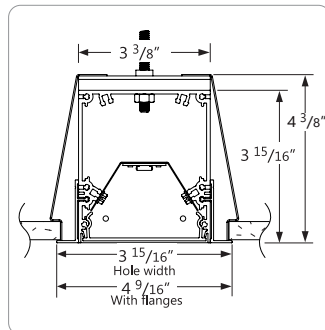


TX TX HUNTER DOUGLAS TECHSTYLE

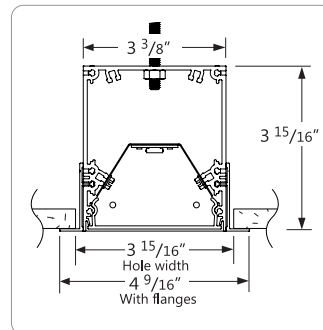
● DRYWALL CEILING MOUNTING OPTIONS



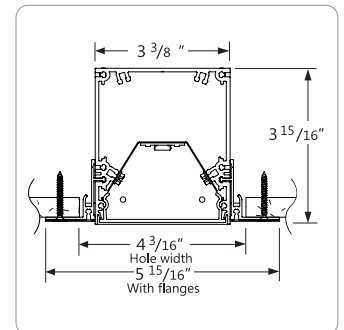
D FLANGELESS WITH 1/4-20 STUD MOUNTING



DB VISIBLE FLANGES WITH SLIP-THROUGH BRACKET



DF VISIBLE FLANGES WITH 1/4-20 STUD MOUNTING



DS SPACKLE FLANGES

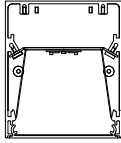
● OTHER MOUNTING OPTIONS

BEAM3 LED is also available with pendant, surface, wall and recessed wall mounted options.

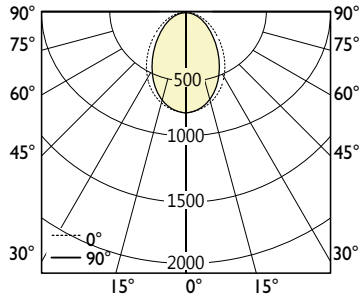
i Specification sheets and installation sheets for all mounting for BEAM luminaires are available for download at www.axislighting.com

PHOTOMETRIC DATA

400 lm/ft



PHOTOMETRIC CURVE



Luminaire Lumens: 400 lm/ft
Input Watts: 3.6 W/ft
Efficacy: 109 lm/W

IES FILE: BMRLED-400-80-35-FL.IES
 TESTED ACCORDING TO IES LM-79-2008.

CANDELA DISTRIBUTION

Vertical Angle	Horizontal Angles				
	0	22.5	45	67.5	90
0	724	724	724	724	724
5	716	719	716	720	723
15	677	679	672	668	670
25	603	600	586	574	572
35	501	496	477	457	449
45	389	383	362	340	331
55	279	274	255	235	228
65	177	174	160	148	143
75	88	88	82	75	73
85	22	21	19	18	17
90	0	0	0	0	0

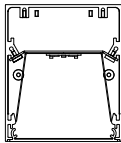
ZONAL LUMENS

Zone	Lumens
0	
0-10	68
10-20	189
20-30	270
30-40	298
40-50	279
50-60	228
60-70	159
70-80	87
80-90	23
90	

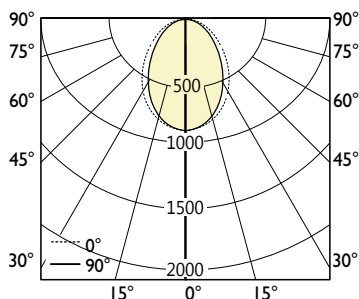
LUMINANCE DATA (cd/m²)

Vertical Angle	Horizontal Angles		
	0	45	90
45	5750	5347	4891
55	5074	4640	4159
65	4369	3966	3530
75	3558	3292	2936
85	2589	2325	2008

500 lm/ft



PHOTOMETRIC CURVE



Luminaire Lumens: 500 lm/ft
Input Watts: 4.6 W/ft
Efficacy: 108 lm/W

IES FILE: BMRLED-500-80-35-FL.IES
 TESTED ACCORDING TO IES LM-79-2008.

CANDELA DISTRIBUTION

Vertical Angle	Horizontal Angles				
	0	22.5	45	67.5	90
0	905	905	905	905	905
5	894	898	896	900	903
15	846	849	840	835	837
25	753	750	733	718	715
35	627	619	596	572	562
45	487	478	452	425	414
55	348	342	319	294	285
65	221	217	201	185	179
75	110	110	102	94	91
85	27	26	24	23	21
90	0	0	0	0	0

ZONAL LUMENS

Zone	Lumens
0	
0-10	85
10-20	237
20-30	337
30-40	372
40-50	348
50-60	285
60-70	199
70-80	108
80-90	28
90	

LUMINANCE DATA (cd/m²)

Vertical Angle	Horizontal Angles		
	0	45	90
45	7188	6683	6114
55	6343	5801	5198
65	5462	4958	4413
75	4448	4114	3670
85	3236	2906	2510

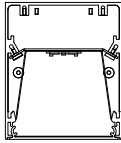
LED lighting facts
A Program of the U.S. DOE

Light Output (Lumens)	1951
Watts	23.22
Lumens per Watt (Efficacy)	84.1
Color Accuracy Color Rendering Index (CRI)	82
Light Color Correlated Color Temperature (CCT)	3056 (Bright White)

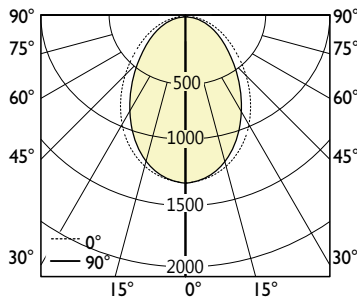
i All IES files are available for download at: www.axislighting.com

PHOTOMETRIC DATA

750 lm/ft



PHOTOMETRIC CURVE



Luminaire Lumens: 750 lm/ft
Input Watts: 7.1 W/ft
Efficacy: 105 lm/W

IES FILE: BMRLED-750-80-35-FL.IES
 TESTED ACCORDING TO IES LM-79-2008

CANDELA DISTRIBUTION

Vertical Angle	Horizontal Angles				
	0	22.5	45	67.5	90
0	1357	1357	1357	1357	1357
5	1342	1347	1343	1350	1355
15	1269	1274	1261	1252	1256
25	1130	1124	1099	1077	1073
35	940	929	894	857	842
45	730	718	679	637	621
55	522	513	478	441	428
65	331	326	301	278	268
75	165	165	153	141	136
85	41	40	36	34	31
90	0	0	0	0	0

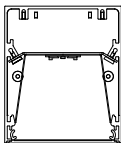
ZONAL LUMENS

Zone	Lumens
0	
0-10	128
10-20	355
20-30	506
30-40	558
40-50	523
50-60	427
60-70	299
70-80	162
80-90	43
90	

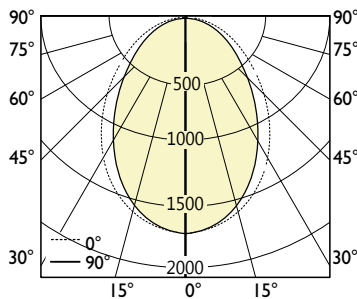
LUMINANCE DATA (cd/m²)

Vertical Angle	Horizontal Angles		
	0	45	90
45	10782	10025	9170
55	9514	8701	7798
65	8193	7437	6619
75	6672	6172	5504
85	4854	4359	3765

1000 lm/ft



PHOTOMETRIC CURVE



Luminaire Lumens: 1000 lm/ft
Input Watts: 9.7 W/ft
Efficacy: 103 lm/W

IES FILE: BMRLED-1000-80-35-FL.IES
 TESTED ACCORDING TO IES LM-79-2008

CANDELA DISTRIBUTION

Vertical Angle	Horizontal Angles				
	0	22.5	45	67.5	90
0	1810	1810	1810	1810	1810
5	1789	1797	1791	1800	1807
15	1692	1699	1681	1670	1674
25	1507	1499	1466	1436	1431
35	1253	1239	1192	1143	1123
45	973	957	905	850	828
55	697	684	637	589	571
65	442	434	401	370	357
75	220	219	204	188	182
85	54	53	48	45	42
90	0	0	0	0	0

ZONAL LUMENS

Zone	Lumens
0	
0-10	170
10-20	473
20-30	674
30-40	744
40-50	697
50-60	570
60-70	399
70-80	217
80-90	57
90	

LUMINANCE DATA (cd/m²)

Vertical Angle	Horizontal Angles		
	0	45	90
45	14376	13367	12227
55	12685	11601	10397
65	10924	9916	8826
75	8896	8229	7339
85	6472	5812	5019

Lighting facts
 A Program of the U.S. DOE

Light Output (Lumens) **3862**
 Watts **46.62**
 Lumens per Watt (Efficacy) **82.8**

Color Accuracy
 Color Rendering Index (CRI) **83**

Light Color
 Correlated Color Temperature (CCT) **3474 (Bright White)**

2700K 3000K 4500K 6500K

i All IES files are available for download at: www.axislighting.com