

Project _____

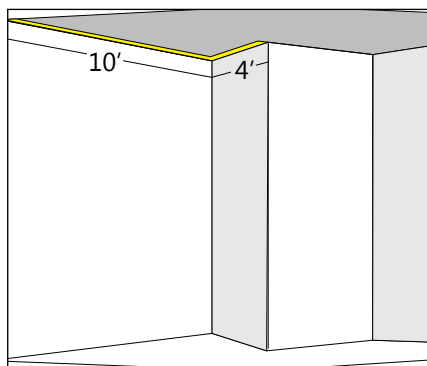
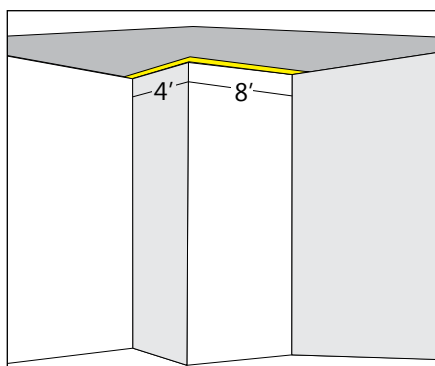
Type _____

Notes _____

PERFORMANCE PER LINEAR FOOT AT 4000K

NOMINAL LUMEN OUTPUT	INPUT WATTS*	EFFICACY
400 lm/ft	3.6 W/ft	110 lm/W
500 lm/ft	4.6 W/ft	109 lm/W
750 lm/ft	7.0 W/ft	106 lm/W
1000 lm/ft	9.6 W/ft	104 lm/W

* Based on a 4 foot luminaire using one driver
Please consult factory for custom lumen output and wattage.



BMPRLED	OPRO (1)	12'
PRODUCT ID	LINEAR OR CORNER QTY	TOTAL LENGTH

BMPRLED	OPRI (1)	14'
PRODUCT ID	LINEAR OR CORNER QTY	TOTAL LENGTH

3D VIEW - Outside Corner Pattern

3D VIEW - Inside Corner Pattern



*Check the latest update on the DLC website for complete information. Not all versions may be DLC qualified.

See page 2 for DLC Approved options



cULus Listed Type I.C.

Ordering Guide

BMPRLED		CORNER QUANTITY (OPTIONAL)		NOM. LUMENS/FT		CRI		COLOR TEMP.		SHIELDING	
PRODUCT ID	Perimeter Recessed LED	OPRO(#)	open shape recessed outside lit corner	300	300 lm/ft - Minimum	80	80 CRI	27	2700 K	FL	flush
		+OPRI(#)	open shape recessed inside lit corner	1000	1000 lm/ft - Maximum	90	90 CRI	30	3000 K	RG2	regressed 2"
								35	3500 K	RG3	regressed 3"
								40	4000 K		

Outputs between listed min and max are available. Consult factory for outputs outside of the listed range.

TOTAL LENGTH		FINISH		VOLTAGE		DRIVER		CIRCUITS		MOUNTING		TYPE (OPTIONAL)	
#	total length	W	white	120	120 V	DP	dimming (0-10V) 1%	1	1 circuit	TB9	t-bar 9/16"	TS(#)	telescopic sections
		C	custom	277	277 V	LT	Lutron (1)	2	2 circuits	TB15	t-bar 15/16"		
				347	347 V	BI	bi-level dimming	+E(#)	emergency circuit (3)	ST	screw slot t-bar		
				UNV	universal	O	other (2)	+NL(#)	night light circuit (3)	TG9	tegar 9/16"		
								+GTD(#)	generator transfer device (3)	DF	drywall flange		
										DS	drywall spackle flange		

Min total length 2'

(1) Specify system
(2) Please consult factory; see page 2
(3) Specify quantity

Telescopic section is minimum 4'. Recommended for longer runs or if exact perimeter length is not available.

BATTERY (OPTIONAL)		OTHER (OPTIONAL)		CUSTOM (OPTIONAL)	
B#	battery pack 4' sections	F	fuse (4)	C	custom
		EF	end feed		
		FW(#)	flex whip (6' std)		
		CP	Chicago plenum		

Not available with 347V
Please consult factory

(4) Requires 120V or 277V

Please specify

● SPECIFICATIONS

CONSTRUCTION


Housing	Extruded aluminum (0.075" nominal) Up to 70% recycled content
Interior Brackets	Die formed sheet steel (18 gauge)
Reflectors	White powder coated sheet steel (22 gauge)
Blank	Extruded aluminum (0.075" nominal)
Lens	Spotless frosted acrylic lens
T-Bar Bracket	Die formed sheet steel (16 gauge)
Screw Slot T-Bar Bracket	Die formed sheet steel (16 gauge)
Spackle Flange	Extruded aluminum (0.070")
All Flanges	Extruded aluminum (0.070" nominal)

● ELECTRICAL

Lutron driver*	LDE1 - EcoSystem H-Series (1%) LDE5 - EcoSystem 5-Series (5%) LTE - Hi-Lume® A-series 2Wires Forward Phase (1%) <small>*Consult factory</small>
Other drivers	DALI - Digital Addressable Lighting Interface DMX - Digital Multiplex LV - line voltage - Advance Mark 10 Xitanium SR - For wireless sensor POE (Power over Ethernet) - Low Voltage Lighting System.
Emergency	Integral emergency battery pack or emergency circuit optional.
Input Voltage	120V, 277V, 347V, UNV.
Flex Whip	Shipped in a separate box for contractors to install

i Incorporating these components may have limitations or affect the length of the luminaire. Please contact factory for more details.

● APPROVALS

Certified to UL and CSA standards 
Meets CEC requirements (Chicago plenum)
Meets NYC requirements
Suitable for damp locations
IC Rated (Insulated ceiling)

● WEIGHT

Perimeter LED 4 ft	14.5 lbs / 6.6 kg
Perimeter LED 8 ft	29.0 lbs / 13.2 kg
Perimeter LED 12 ft	43.5 lbs / 19.7 kg

● Options



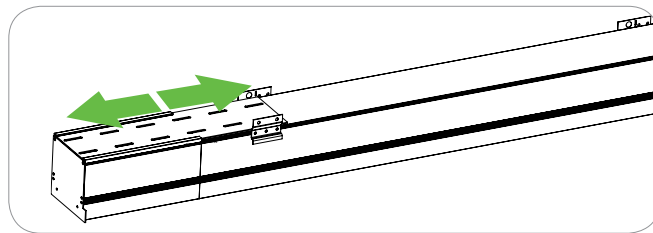
*Check the latest update on the DLC website for complete information. Not all versions may be DLC qualified.

OUTPUT	CRI	COLOR TEMP.	SHIELDING	LENGTH	FINISH	VOLTAGE	DRIVER
400 lm/ft	80	3000 K	FL	2'	white	universal	DP
650 lm/ft		3500 K	RG2	3'			
850 lm/ft		4000 K	RG3	4'			
				5'			
				6'			
				8'			
				12'			

● 8" TELESCOPIC ADJUSTMENT

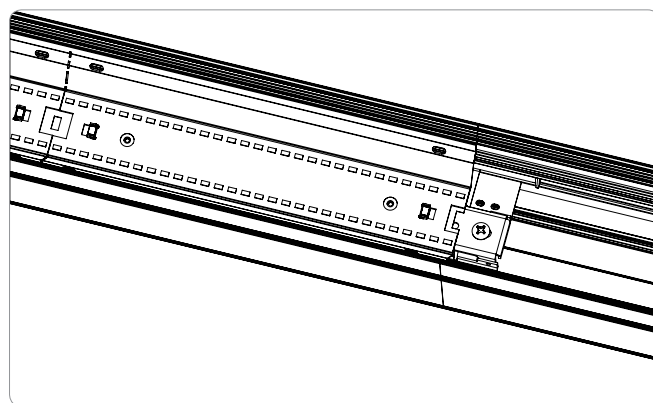
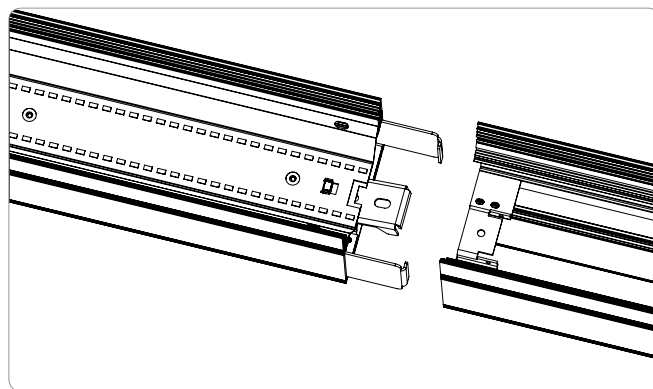
BEAM3 LED Perimeter system feature a patented telescopic sliding LED board design that allows runs to be field cut to facilitate installation and specification.

NOTE: Miter saw with aluminum cutting blade required on site for telescopic adjustments.



● JOINERS

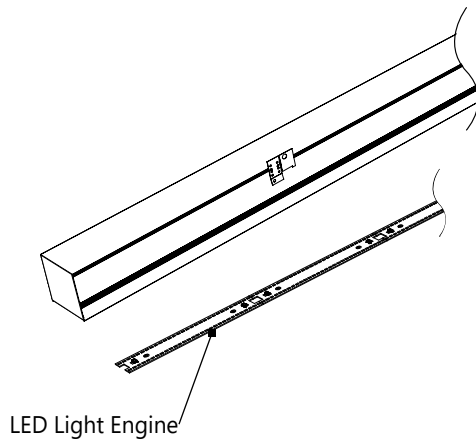
BEAM3 Perimeter LED has steel joiners with wedge alignment for easy installation.



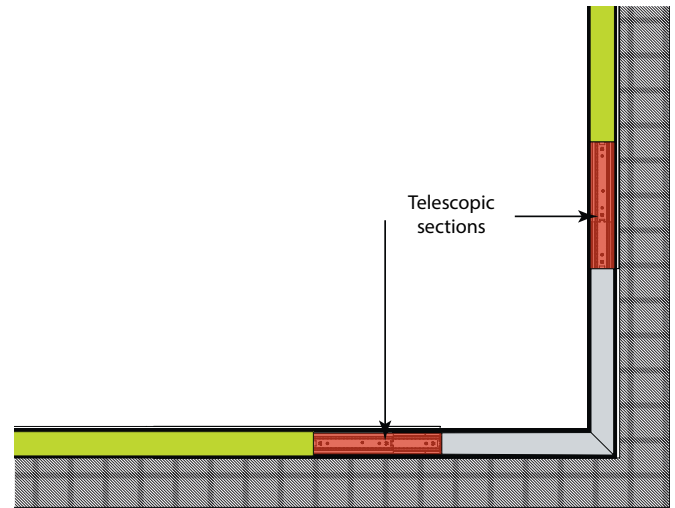
JOINER SYSTEM

LED SYSTEM

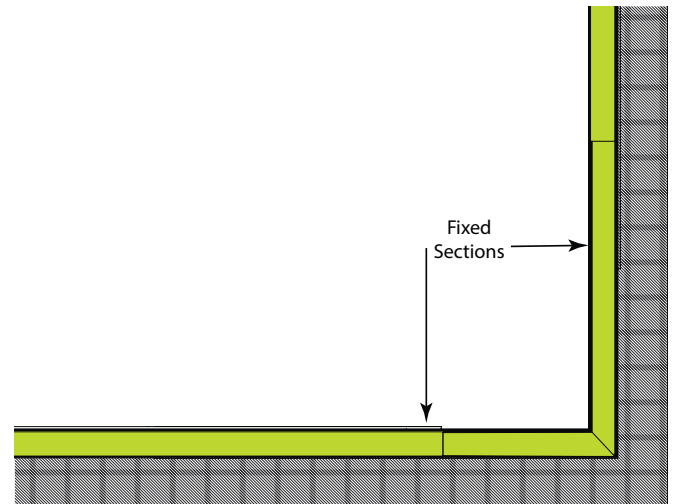
CRI	Minimum 80 or 90 color rendering index.
CCT	Choice of 2700K, 3000K, 3500K and 4000K color temperature with a great color consistency (within 3-step MacAdam ellipse). Both within fixture and fixture to fixture.
LED life	Minimum 50,000h with 85% of lumen maintenance in 25°C ambient temperature, in compliance with IES LM-80 testing measurements.
Thermal Management	Aluminum housing acting as the heat sink to maximize life.
Environment	Dry and damp rated in operating ambient temperatures of 0-40°C (32-104F).



SECTION QUANTITY

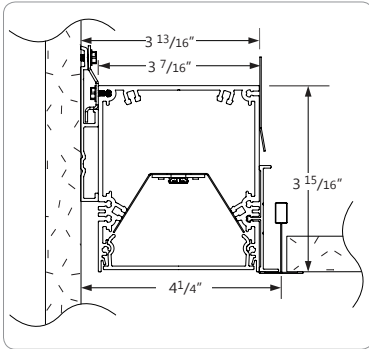


TS TELESCOPIC SECTIONS

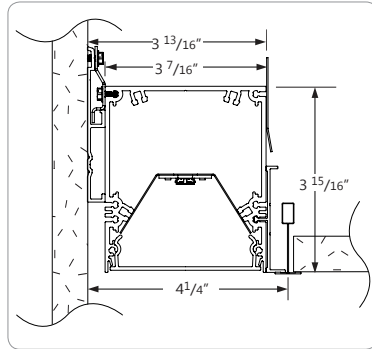


FS FIXED SECTIONS

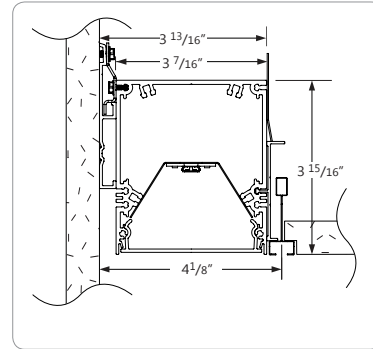
● TB CEILING MOUNTING OPTIONS



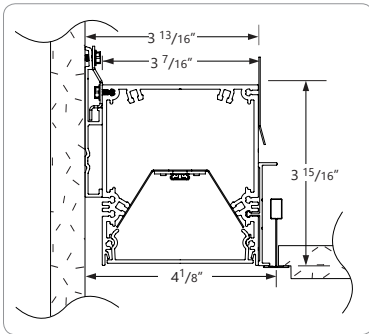
TB15 15/16" T-BAR



TB9 9/16" T-BAR

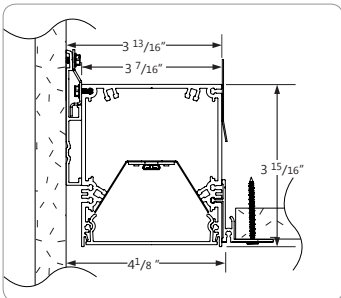


ST SCREW SLOT T-BAR

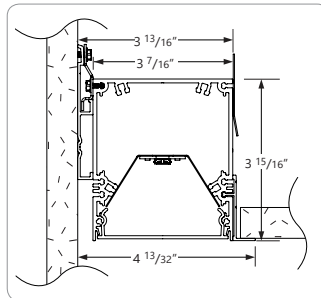


TG9 9/16" T-TEGULAR

● DRYWALL CEILING MOUNTING OPTIONS

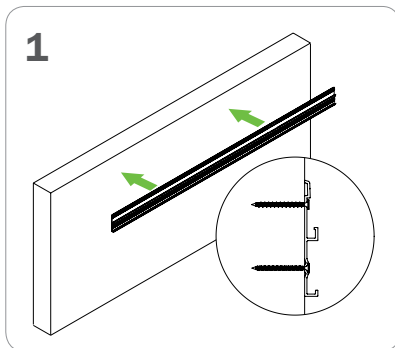


DS SPACKLE FLANGES

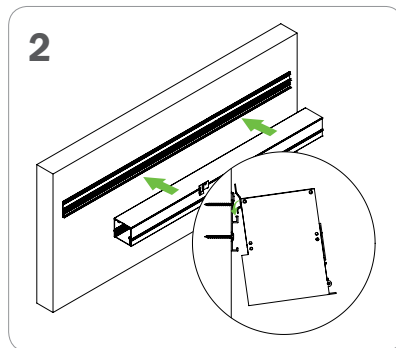


DF VISIBLE FLANGES
WALL MOUNTING

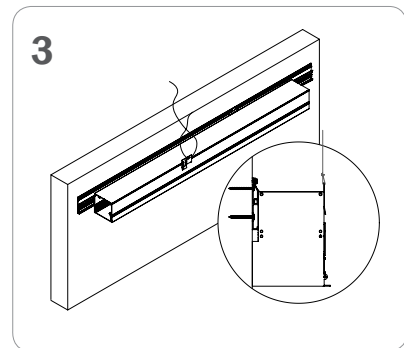
● INSTALLATION GUIDE



1
Install wall track level and secure to structure at small grooves in extrusion.



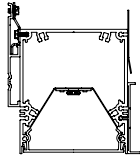
2
Hook beam Perimeter luminaire onto wall track.



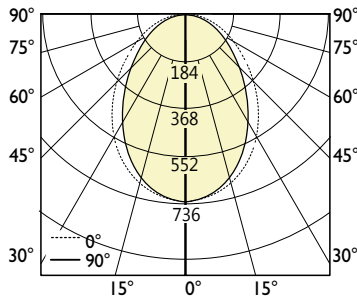
3
Secure to wall track, secure to structure.

● PHOTOMETRIC DATA

400 lm/ft



PHOTOMETRIC CURVE



Luminaire Lumens: 400 lm/ft
Input Watts: 3.3 W/ft
Efficacy: 122 lm/W

IES FILE: BMPRLED-400-80-40.IES
 TESTED ACCORDING TO IES LM-79-2008

CANDELA DISTRIBUTION

Vertical Angle	0	22.5	45	67.5	90
0	733	733	733	733	733
5	725	728	725	728	731
15	681	682	672	666	666
25	600	594	574	557	552
35	493	483	456	430	422
45	378	368	339	314	305
55	268	259	236	215	207
65	168	163	148	134	128
75	83	80	73	67	64
85	19	17	17	16	16
90	0	0	0	0	0

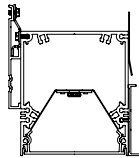
ZONAL LUMENS

Zone	Lumens
0	
0-10	69
10-20	189
20-30	264
30-40	285
40-50	263
50-60	212
60-70	147
70-80	78
80-90	20
90	

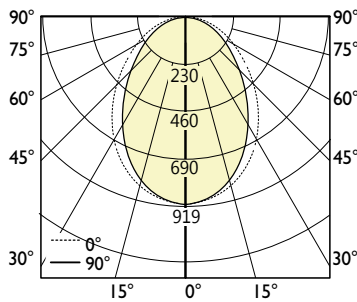
LUMINANCE DATA (cd/m²)

Vertical Angle	0	45	90
45	5574	4998	4492
55	4877	4290	3767
65	4147	3639	3165
75	3344	2930	2570
85	2216	2052	1888

500 lm/ft



PHOTOMETRIC CURVE



Luminaire Lumens: 500 lm/ft
Input Watts: 4.3 W/ft
Efficacy: 117 lm/W

IES FILE: BMPRLED-500-80-40.IES
 TESTED ACCORDING TO IES LM-79-2008

CANDELA DISTRIBUTION

Vertical Angle	0	22.5	45	67.5	90
0	917	917	917	917	917
5	907	910	906	910	914
15	852	852	840	832	832
25	750	743	718	696	690
35	616	604	570	538	527
45	473	460	424	392	381
55	335	324	295	269	259
65	210	203	184	167	160
75	104	100	91	83	80
85	23	21	21	21	20
90	0	0	0	0	0

ZONAL LUMENS

Zone	Lumens
0	
0-10	86
10-20	236
20-30	330
30-40	357
40-50	329
50-60	266
60-70	184
70-80	98
80-90	25
90	

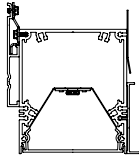
LUMINANCE DATA (cd/m²)

Vertical Angle	0	45	90
45	6968	6247	5615
55	6096	5363	4708
65	5184	4549	3957
75	4181	3662	3213
85	2770	2565	2360

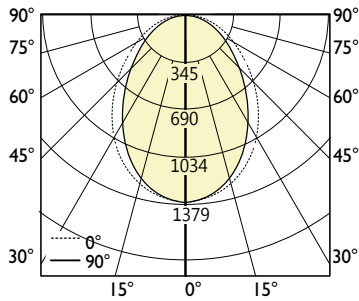
i All IES files are available for download at: www.axislighting.com

PHOTOMETRIC DATA

750 lm/ft



PHOTOMETRIC CURVE



Luminaire Lumens: 750 lm/ft
Input Watts: 6.8 W/ft
Efficacy: 110 lm/W

IES FILE: BMPRLD-750-80-40.IES
 TESTED ACCORDING TO IES LM-79-2008

CANDELA DISTRIBUTION

Vertical Angle	0	22.5	45	67.5	90
0	1375	1375	1375	1375	1375
5	1360	1365	1358	1365	1371
15	1277	1279	1261	1248	1248
25	1124	1114	1077	1045	1036
35	924	906	855	807	791
45	709	690	636	588	571
55	503	486	443	404	389
65	315	305	277	251	241
75	156	151	136	125	120
85	35	32	32	31	30
90	0	0	0	0	0

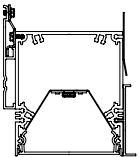
ZONAL LUMENS

Zone	Lumens
0	
0-10	129
10-20	355
20-30	496
30-40	535
40-50	493
50-60	398
60-70	276
70-80	146
80-90	38
90	

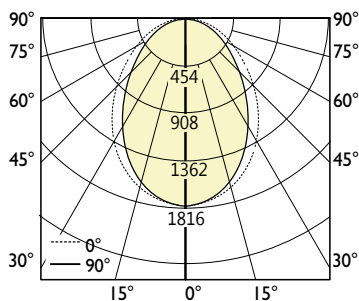
LUMINANCE DATA (cd/m²)

Vertical Angle	0	45	90
45	10452	9371	8422
55	9144	8044	7062
65	7776	6824	5935
75	6271	5493	4820
85	4155	3847	3540

1000 lm/ft



PHOTOMETRIC CURVE



Luminaire Lumens: 1000 lm/ft
Input Watts: 9.5 W/ft
Efficacy: 105 lm/W

IES FILE: BMPRLD-1000-80-40.IES
 TESTED ACCORDING TO IES LM-79-2008

CANDELA DISTRIBUTION

Vertical Angle	0	22.5	45	67.5	90
0	1834	1834	1834	1834	1834
5	1813	1820	1811	1820	1828
15	1703	1705	1681	1664	1664
25	1499	1485	1436	1393	1381
35	1232	1208	1141	1075	1055
45	945	919	847	784	762
55	671	648	590	539	518
65	420	407	369	334	321
75	208	201	182	166	160
85	46	43	43	41	39
90	0	0	0	0	0

ZONAL LUMENS

Zone	Lumens
0	
0-10	172
10-20	473
20-30	661
30-40	713
40-50	657
50-60	531
60-70	367
70-80	195
80-90	50
90	

LUMINANCE DATA (cd/m²)

Vertical Angle	0	45	90
45	13936	12494	11230
55	12191	10726	9416
65	10368	9098	7913
75	8361	7324	6426
85	5540	5130	4720

i All IES files are available for download at: www.axislighting.com