

Project _____

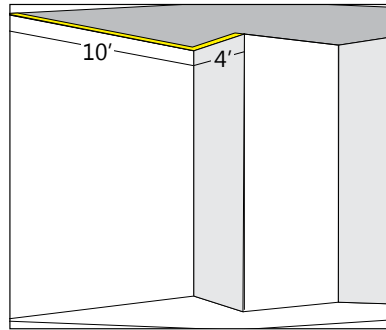
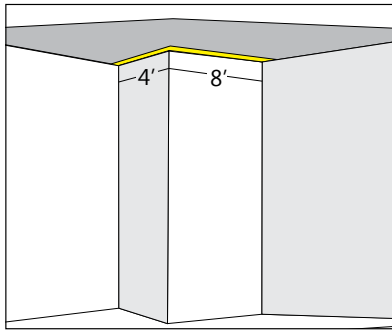
Type _____

Notes _____

PERFORMANCE PER LINEAR FOOT AT 4000K

NOMINAL LUMEN OUTPUT	INPUT WATTS*	EFFICACY
400 lm/ft	3.6 W/ft	111 lm/W
500 lm/ft	4.6 W/ft	108 lm/W
750 lm/ft	7.4 W/ft	101 lm/W
1000 lm/ft	10.3 W/ft	97 lm/W

* Based on a 4 foot luminaire using one driver
Please consult factory for custom lumen output and wattage.



B6PRLED	OPRO (1)	12'
PRODUCT ID	LINEAR OR CORNER QTY	TOTAL LENGTH

3D VIEW - Outside Corner Pattern

B6PRLED	OPRI (1)	14'
PRODUCT ID	LINEAR OR CORNER QTY	TOTAL LENGTH

3D VIEW - Inside Corner Pattern



*Check the latest update on the DLC website for complete information. Not all versions may be DLC qualified.

See page 2 for DLC Approved options



cULus Listed Type I.C.

Ordering Guide

B6PRLED		CORNER QUANTITY (OPTIONAL)		NOM. LUMENS/FT		CRI		COLOR TEMP.		SHIELDING	
PRODUCT ID	Perimeter Recessed LED	OPRO(#)	open shape recessed outside lit corner	300	300 lm/ft - Minimum	80	80 CRI	27	2700 K	FL	flush
		+OPRI(#)	open shape recessed inside lit corner	1000	1000 lm/ft - Maximum	90	90 CRI	30	3000 K	RG2	regressed 2"
								35	3500 K	RG3	regressed 3"
								40	4000 K	RG6	regressed 6"

Outputs between listed min and max are available. Consult factory for outputs outside of the listed range.

TOTAL LENGTH	FINISH	VOLTAGE		DRIVER		CIRCUITS		MOUNTING		TYPE (OPTIONAL)	
# total length	W white C custom	120	120 V	DP	dimming (0-10V) 1%	1	1 circuit	TB9	t-bar 9/16"	TS(#)	telescopic sections
		277	277 V	LT	Lutron ⁽¹⁾	2	2 circuits	TB15	t-bar 15/16"		
		347	347 V	BI	bi-level dimming	+E(#)	emergency circuit ⁽³⁾	ST	screw slot t-bar		
		UNV	universal	O	other ⁽²⁾	+NL(#)	night light circuit ⁽³⁾	TG9	tegular 9/16"		
						+GTD(#)	generator transfer device ⁽³⁾	TG15	tegular 15/16"		
								DF	drywall flange		
								DS	drywall spackle flange		

Min total length 2'

(1) Specify system
(2) Please consult factory; see page 2
(3) Specify quantity

TS section requires min length of 4'. Available on patterns. Recommended for longer runs or if exact perimeter length is not available. See page 2 for more details.

BATTERY (OPTIONAL)	OTHER (OPTIONAL)	CUSTOM (OPTIONAL)
B# battery pack 4' sections	F fuse ⁽⁴⁾ EF end feed FW(#) flex whip (6' std) CP Chicago plenum	C custom
Please consult factory	(4) Requires 120V or 277V	Please specify

● SPECIFICATIONS


CONSTRUCTION

Housing	Extruded aluminum (0.075" nominal) Up to 70% recycled content
Interior Brackets	Die formed sheet steel (18 gauge)
Reflectors	White powder coated sheet steel (22 gauge)
Blank	Extruded aluminum (0.075" nominal)
Lens	Spotless frosted acrylic lens
T-Bar Bracket	Die formed sheet steel (16 gauge)
Screw Slot T-Bar Bracket	Die formed sheet steel (16 gauge)
Spackle Flange	Extruded aluminum (0.070")
All Flanges	Extruded aluminum (0.075" nominal)

● ELECTRICAL

- Lutron driver*** LDE1 - EcoSystem H-Series (1%)
LDE5 - EcoSystem 5-Series (5%)
LTE - Hi-Lume® A-series 2Wires Forward Phase (1%)
*Consult factory
- Other drivers** DALI - Digital Addressable Lighting Interface
DMX - Digital Multiplex
LV - line voltage - Advance Mark 10
Xitanium SR - For wireless sensor
POE (Power over Ethernet) - Low Voltage Lighting System.
- Emergency** Integral emergency battery pack or emergency circuit optional.
- Input Voltage** 120V, 277V, 347V, UNV.
- Flex Whip** Shipped in a separate box for contractors to install
- i** Incorporating these components may have limitations or affect the length of the luminaire. Please contact factory for more details.

● APPROVALS

Certified to UL and CSA standards
Meets CCEC requirements (Chicago plenum)
Meets NYC requirements 
Suitable for damp locations
IC Rated (Insulated ceiling)

● Options



*Check the latest update on the DLC website for complete information. Not all versions may be DLC qualified.

OUTPUT	CRI	COLOR TEMP.	SHIELDING	LENGTH	FINISH	VOLTAGE	DRIVER
400 lm/ft	80	3000 K	FL	2'	white	universal	DP
650 lm/ft		3500 K	RG2	3'			
850 lm/ft		4000 K	RG3	4'			
			RG6	5'			
				6'			
				8'			
				12'			

● WEIGHT

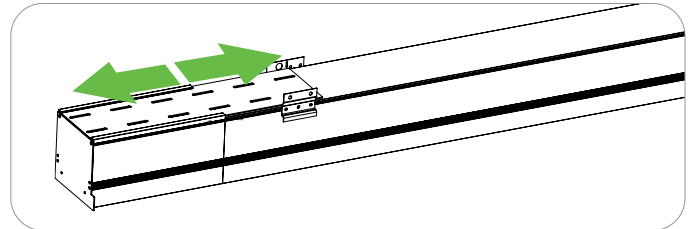
Perimeter LED 4 ft	14.5 lbs / 6.6 kg
Perimeter LED 8 ft	29.0 lbs / 13.2 kg
Perimeter LED 12 ft	43.5 lbs / 19.7 kg

● 7" TELESCOPIC ADJUSTMENT

BEAM6 LED Perimeter system feature a patented telescopic sliding LED board design that allows runs to be field cut to facilitate installation and specification.

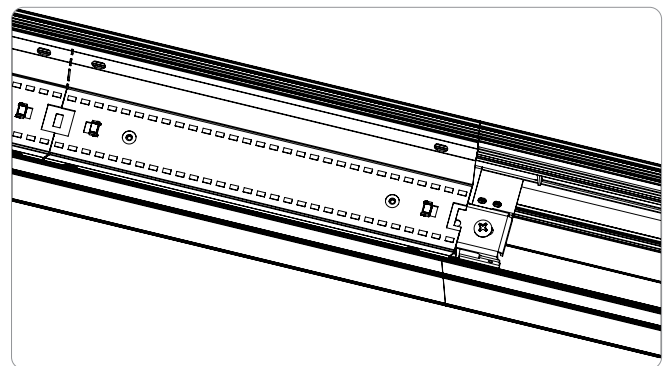
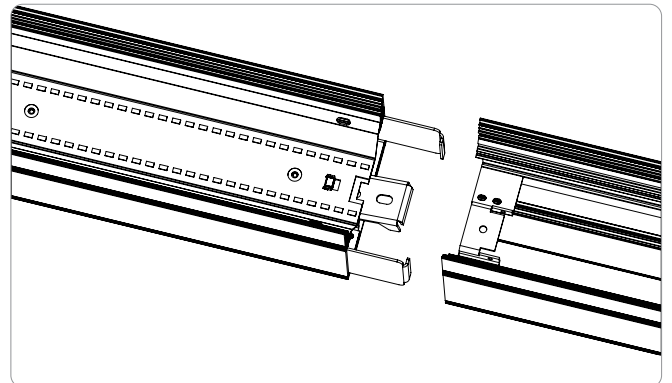
NOTE: Miter saw with aluminum cutting blade required on site for telescopic adjustments. If a 2nd telescopic section is required, minimum length is 8'.

EXAMPLE: Telescopic adjustment 7" (+4"/-3"). If a 10' 6" (126") fixture is specified, adjustable lengths with (1) TS section are between 123"-130".



● JOINERS

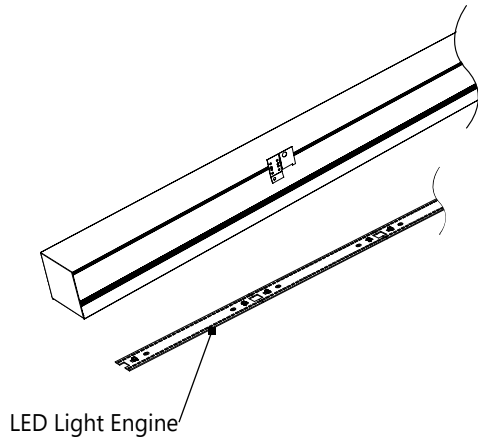
BEAM6 Perimeter LED has steel joiners with wedge alignment for easy installation.



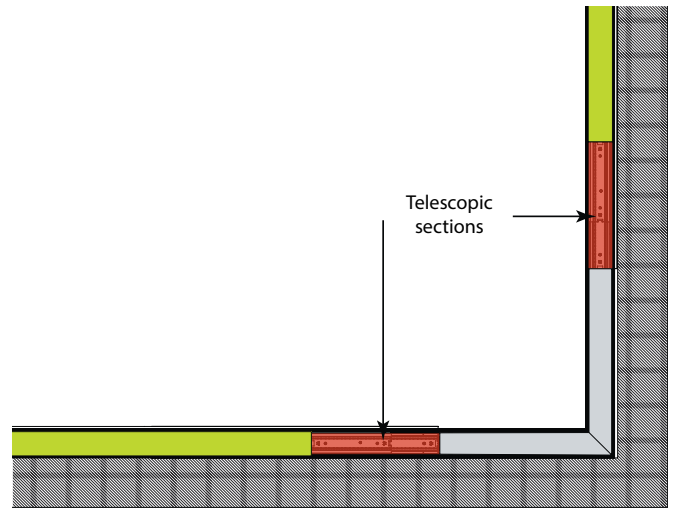
JOINER SYSTEM

● **LED SYSTEM**

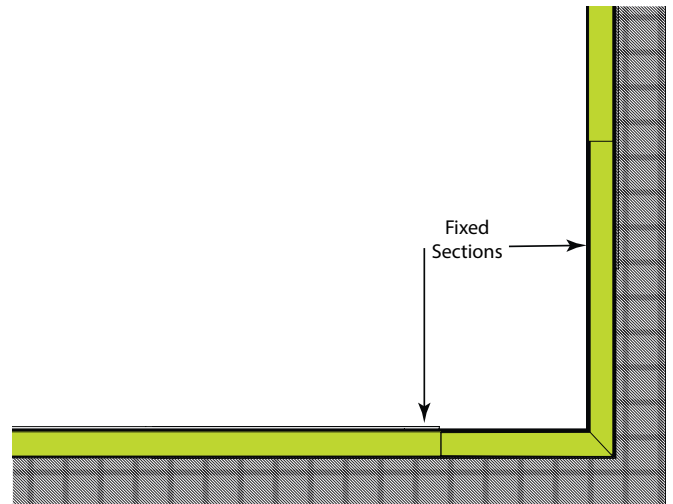
- CRI** Minimum 80 or 90 color rendering index.
- CCT** Choice of 2700K, 3000K, 3500K and 4000K color temperature with a great color consistency (within 3-step MacAdam ellipse). Both within fixture and fixture to fixture.
- LED life** Minimum 50,000h with 85% of lumen maintenance in 25°C ambient temperature, in compliance with IES LM-80 testing measurements.
- Thermal Management** Aluminum housing acting as the heat sink to maximize life.
- Environment** Dry and damp rated in operating ambient temperatures of 0-40°C (32-104F).



● **SECTION QUANTITY**

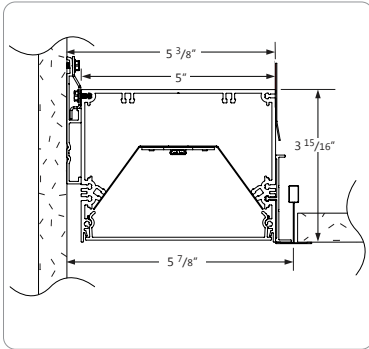


TS TELESCOPIC SECTIONS

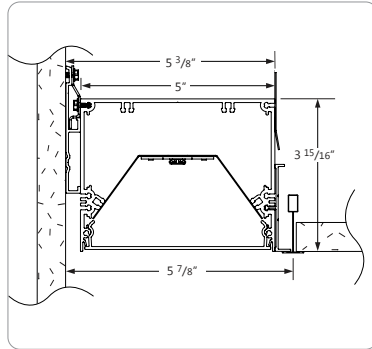


FS FIXED SECTIONS

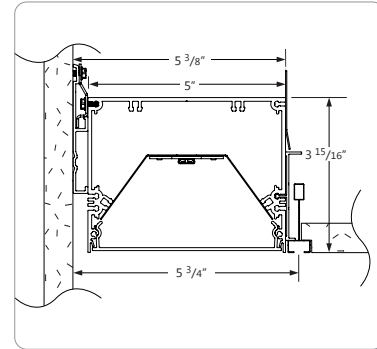
● TB CEILING MOUNTING OPTIONS



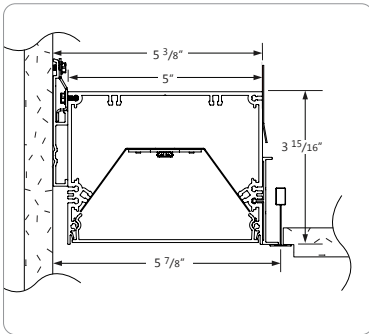
TB15 15/16" T-BAR



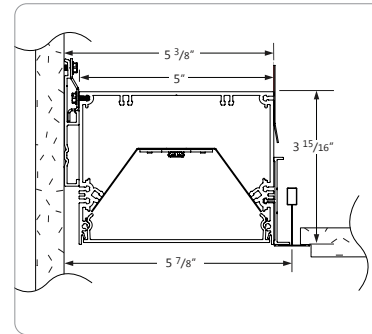
TB9 9/16" T-BAR



ST SCREW SLOT T-BAR

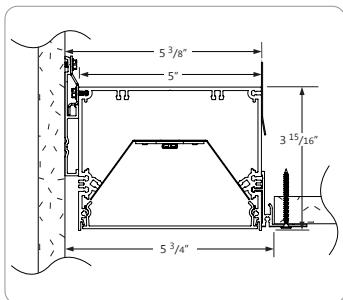


TG9 9/16" T-TEGULAR

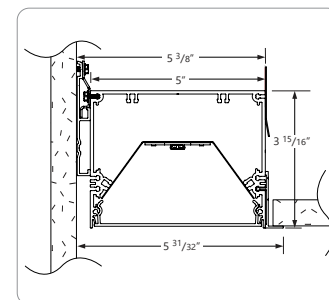


TG15 15/16" T-TEGULAR

● DRYWALL CEILING MOUNTING OPTIONS

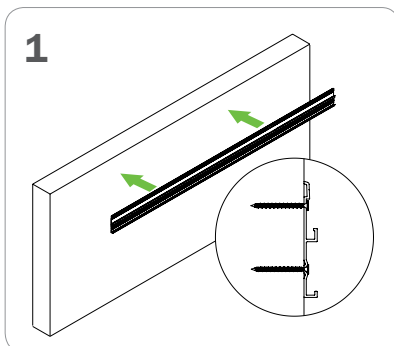


DS SPACKLE FLANGES

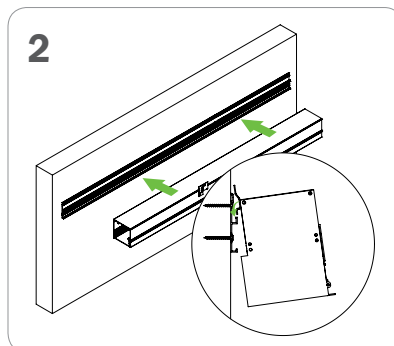


DF VISIBLE FLANGES
WALL MOUNTING

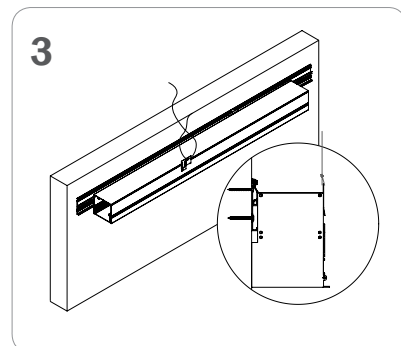
● INSTALLATION GUIDE



1
Install wall track level and secure to structure at small grooves in extrusion.



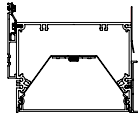
2
Hook beam Perimeter luminaire onto wall track.



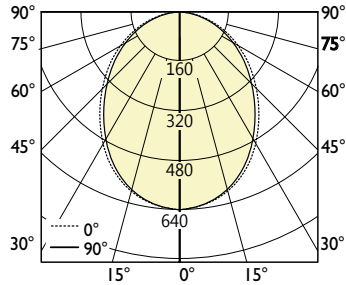
3
Secure to wall track, secure to structure.

PHOTOMETRIC DATA

400 lm/ft



PHOTOMETRIC CURVE



Luminaire Lumens: 400 lm/ft
Input Watts: 3.6W/ft
Efficacy: 111 lm/W

IES FILE: B6PRLED-400-80-40.IES
 TESTED ACCORDING TO IES LM-79-2008

CANDELA DISTRIBUTION

Vertical Angle	0	22.5	45	67.5	90
0	638	638	638	638	638
5	631	634	632	636	637
15	597	600	596	595	597
25	533	533	527	522	522
35	449	447	439	430	427
45	357	355	345	338	333
55	265	263	255	247	244
65	176	174	169	165	163
75	95	94	92	88	88
85	26	24	24	23	23
90	0	0	0	0	0

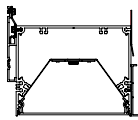
ZONAL LUMENS

Zone	Lumens
0	
0-10	60
10-20	168
20-30	242
30-40	274
40-50	267
50-60	228
60-70	168
70-80	97
80-90	27
90	

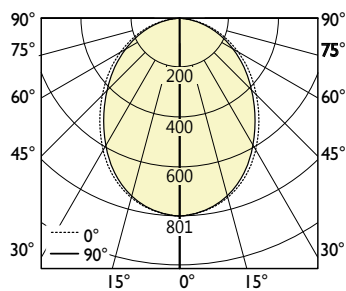
LUMINANCE DATA (cd/m²)

Vertical Angle	0	45	90
45	4050	3915	3780
55	3705	3560	3415
65	3339	3212	3085
75	2944	2852	2714
85	2391	2186	2118

500 lm/ft



PHOTOMETRIC CURVE



Luminaire Lumens: 500 lm/ft
Input Watts: 4.6 W/ft
Efficacy: 108 lm/W

IES FILE: B6PRLED-500-80-40.IES
 TESTED ACCORDING TO IES LM-79-2008

CANDELA DISTRIBUTION

Vertical Angle	0	22.5	45	67.5	90
0	798	798	798	798	798
5	789	792	790	795	797
15	746	750	745	744	746
25	666	666	659	652	652
35	561	559	548	538	534
45	446	443	431	422	417
55	331	328	318	309	305
65	220	217	212	206	203
75	119	118	115	110	109
85	32	30	30	29	29
90	0	0	0	0	0

ZONAL LUMENS

Zone	Lumens
0	
0-10	75
10-20	210
20-30	303
30-40	343
40-50	333
50-60	285
60-70	210
70-80	121
80-90	34
90	

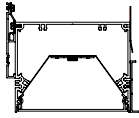
LUMINANCE DATA (cd/m²)

Vertical Angle	0	45	90
45	5062	4894	4725
55	4632	4450	4269
65	4173	4015	3856
75	3680	3565	3393
85	2989	2732	2647

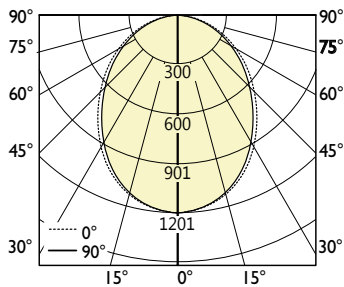
i All IES files for other lamping are available for download at: www.axislighting.com

PHOTOMETRIC DATA

750 lm/ft



PHOTOMETRIC CURVE



Luminaire Lumens: 750 lm/ft
Input Watts: 7.4W/ft
Efficacy: 101 lm/W

IES FILE: B6PRLED-750-80-40.IES
 TESTED ACCORDING TO IES LM-79-2008

CANDELA DISTRIBUTION

Vertical Angle	0	22.5	45	67.5	90
0	1197	1197	1197	1197	1197
5	1183	1188	1186	1192	1195
15	1119	1124	1117	1116	1119
25	999	999	988	978	978
35	842	839	822	807	801
45	669	665	647	633	625
55	497	493	477	463	458
65	330	326	317	309	305
75	178	177	173	166	164
85	49	45	45	43	43
90	0	0	0	0	0

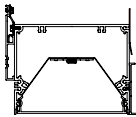
ZONAL LUMENS

Zone	Lumens
0	
0-10	113
10-20	315
20-30	455
30-40	514
40-50	500
50-60	427
60-70	315
70-80	182
80-90	52
90	

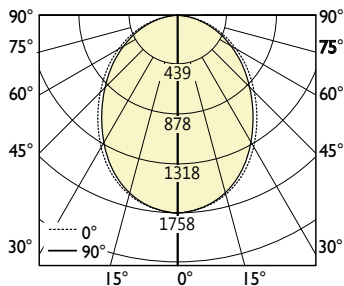
LUMINANCE DATA (cd/m²)

Vertical Angle	0	45	90
45	7593	7341	7088
55	6948	6675	6403
65	6260	6022	5784
75	5521	5348	5089
85	4483	4098	3970

1000 lm/ft



PHOTOMETRIC CURVE



Luminaire Lumens: 1000 lm/ft
Input Watts: 10.3 W/ft
Efficacy: 97 lm/W

IES FILE: B6PRLED-1000-80-40.IES
 TESTED ACCORDING TO IES LM-79-2008

CANDELA DISTRIBUTION

Vertical Angle	0	22.5	45	67.5	90
0	1596	1596	1596	1596	1596
5	1577	1584	1581	1590	1594
15	1492	1499	1490	1488	1492
25	1332	1332	1317	1304	1304
35	1122	1119	1096	1076	1069
45	892	887	863	844	833
55	662	657	636	618	610
65	440	434	423	412	406
75	237	236	230	221	219
85	65	59	59	58	58
90	0	0	0	0	0

ZONAL LUMENS

Zone	Lumens
0	
0-10	150
10-20	420
20-30	606
30-40	686
40-50	667
50-60	570
60-70	419
70-80	242
80-90	69
90	

LUMINANCE DATA (cd/m²)

Vertical Angle	0	45	90
45	10124	9788	9451
55	9264	8900	8537
65	8347	8030	7713
75	7361	7131	6786
85	5977	5465	5294

i All IES files for other lamping are available for download at: www.axislighting.com