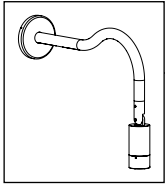


# DENALI SERIES™ SIGN STAR™



## Installation Instructions



Warning



Hot Surface



Flammable



Low Voltage

### TOOLS NEEDED:



- 1/8", 5/16" & 9/64" Allen Wrench
- Waterproof Wire Connectors
- Crimping Tool
- Safety Cable
- Mounting Hardware
- Mounting Hardware for Substrate

### By Others

## INSTRUCTIONS PERTAINING TO A RISK OF FIRE, OR INJURY TO PERSONS IMPORTANT SAFETY INSTRUCTIONS

### Lighted fixture is HOT!

#### WARNING - To reduce the risk of FIRE OR INJURY TO PERSONS:

Turn off/unplug and allow to cool before replacing LED. Fixture gets HOT quickly! Contact only switch/plug when turning on. Do not touch hot lens, guard, or enclosure. Keep fixture away from materials that may burn. Do not operate the luminaire fitting with a missing or damaged shield. Do not touch the source at any time. Use a soft cloth or gloves. Oil from skin may cause damage.

**SAVE THESE INSTRUCTIONS**

## IMPORTANT SAFETY INFORMATION - READ, FOLLOW, AND SAVE ALL SAFETY AND INSTALLATION INSTRUCTIONS

- Product must be installed by a qualified person in a manner consistent with its intended use and in compliance with the National Electrical Code, Canadian Electrical Code, and all Local and Provincial Codes.
- Follow product label information and instructions.
- Qualified Personnel with appropriate personal protective equipment must perform all servicing of this product.
- Before wiring to power supply and during servicing, turn off and lock out power at fuse or circuit breaker before service.
- The use of accessory equipment not recommended by the manufacturer or installed contrary to instructions may cause an unsafe condition. The use of damaged components may cause an unsafe condition and void product warranty.
- Do not block light emanating from product in whole or part, as this may cause an unsafe condition.
- Never operate the fixture with missing or damaged lens. Lens must be cleaned on regular basis.
- Entire fixture may become extremely hot. Do not touch hot lens or fixture body.
- Replace LED assembly only with correct wattage and type of power supply appropriate for LED assembly.
- All gaskets, o-rings and sealing surfaces must be kept clean during installation and service; failure to do this may cause an unsafe condition and void product warranty.

## IMPORTANT LISTINGS AND CERTIFICATIONS

- Suitable for wet locations

## ⚠️ REMOTE WIRING

### LED Driver

Remote driver installations require inter-connected wiring between the LED and driver (by others). Drivers have specific wiring requirements between these components. Driver manufacturers regularly recommend the following wiring details for such installations:

- Do not exceed 50 foot overall wiring distance using 12 gauge copper wire.

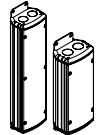
**Failure to comply with specific wiring requirements will void product warranty.**

### ⚠️ DRIVER HOUSING REQUIRED

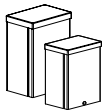
Please refer to specified remote driver housing documentation for detailed installation instructions.

#### REMOTE DRIVER HOUSINGS:

- PM2RM - Universal Power Module 2 Remote
- PM2DRM - Universal Power Module 2 Dual Remote
- RM - Remote Wall Mount
- DRM - Dual Remote Wall Mount



PM2RM &  
PM2DRM



RM &  
DRM

**This set of instructions works for:**

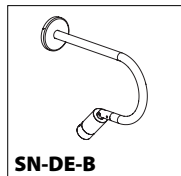
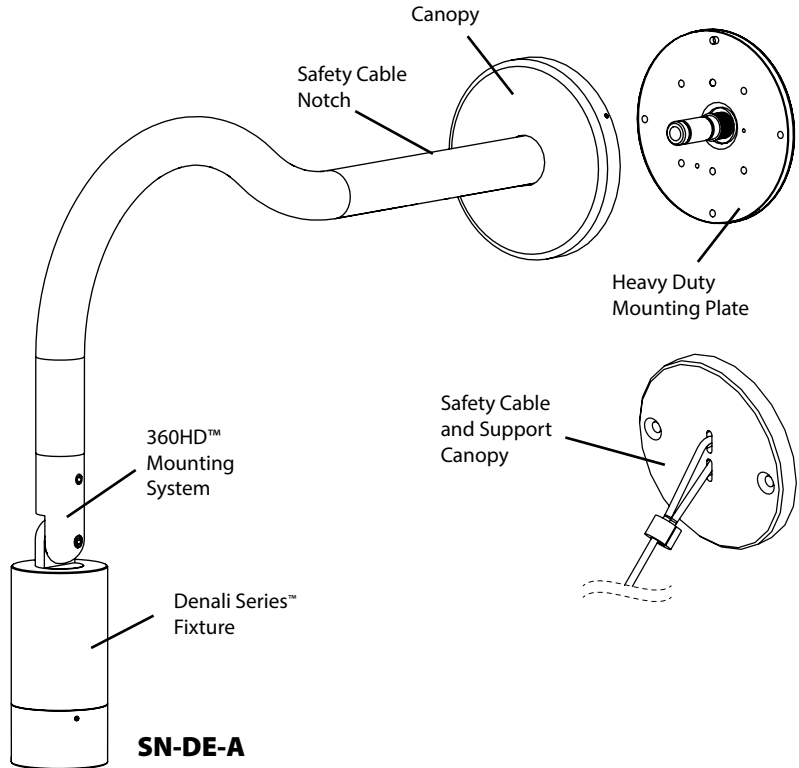
**SN-DE-A** - Denali Series™ Sign Star™ Style "A"

**SN-DE-B** - Denali Series™ Sign Star™ Style "B"

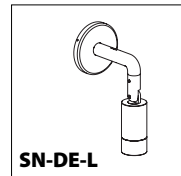
**SN-DE-L** - Denali Series™ Sign Star™ Style "L"

**SN-DE-F** - Denali Series™ Sign Star™ Style "F"

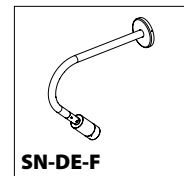
**SN-DE-G** - Denali Series™ Sign Star™ Style "G"



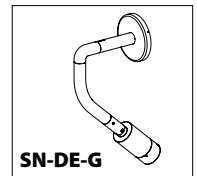
SN-DE-B



SN-DE-L



SN-DE-F



SN-DE-G

## IMPORTANT SAFETY INFORMATION - READ, FOLLOW, AND SAVE THESE INSTALLATION INSTRUCTIONS

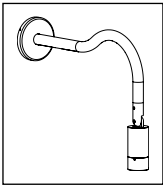
# B-K LIGHTING

40429 Brickyard Drive • Madera, CA 93636 • USA  
559.438.5800 • FAX 559.438.5900  
www.bklighting.com • info@bklighting.com

RELEASE DATE  
7-25-18

REFERENCE NUMBER  
INS-2315-00

THIS DOCUMENT CONTAINS PROPRIETARY INFORMATION OF B-K LIGHTING, INC. AND ITS RECEIPT OR POSSESSION DOES NOT CONVEY ANY RIGHTS TO REPRODUCE, DISCLOSE ITS CONTENTS, OR TO MANUFACTURE, USE OR SELL ANYTHING IT MAY DESCRIBE. REPRODUCTION, DISCLOSURE OR USE WITHOUT SPECIFIC WRITTEN AUTHORIZATION OF B-K LIGHTING, INC. IS STRICTLY FORBIDDEN.

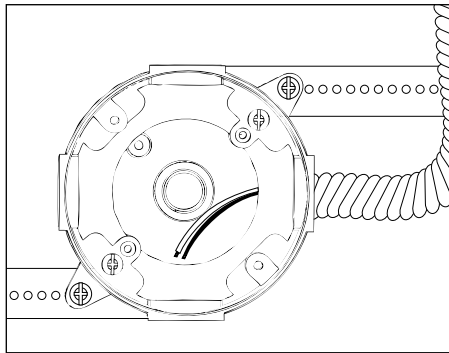


**Installation Instructions**



**Phase 1 - Rough In**

Installation of Back box

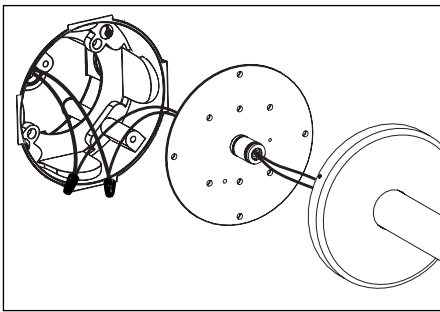


**Additional Info**

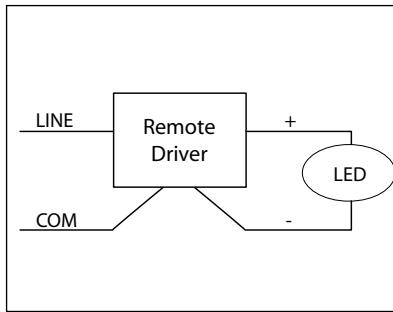
- Please follow National and Local electrical codes for your area.
- Suitable for through wire
- Suitable for installation into combustible materials.
- Rated for 90° C.
- Junction box, universal mounting ring screws, box mounting hardware and gaskets (By Others)

1. Install Conduit (By Others) to be used with this product.
2. Install box so that front face is flush with finished wall. Seal building envelope as per NEC.
3. Connect box to conduit and pull wires for connections (See wiring diagram).

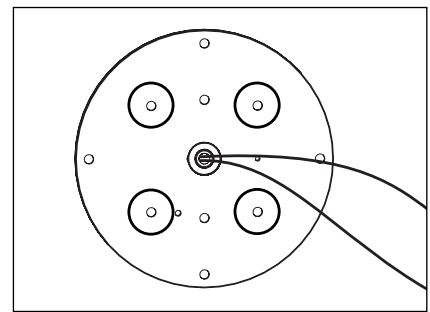
**Phase 2 - Finish Installation of Fixture**



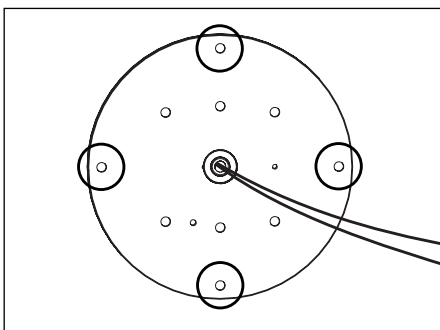
1. Pull fixture leads through heavy duty mounting plate. Make watertight connections from remote driver to fixture leads using waterproof wire connectors. (By Others) **See wiring diagram.**



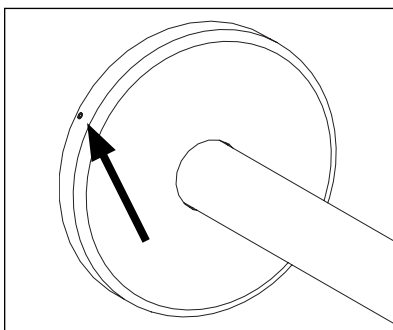
**WIRING DIAGRAM**



2. Install mounting plate (supplied with fixture) with #10-24 screws using 1/8" Allen wrench onto back box. Circled locations are available mounting holes for back box installation.



3. Circled locations are mounting holes for mounting heavy duty mounting plate to substrate. Use mounting hardware (By Others) suitable for substrate material. **Seal building envelope as per NEC.**



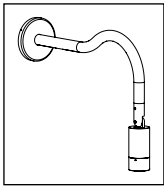
4. Ensure fixture leads are inside junction box. Mount fixture canopy to junction box over mounting plate using three (3) #8-32 set screws with 9/64" Allen wrench.



**For fixtures with stem length greater than 36", fixture will not support itself. Structural support cable must be installed in the field. Please read page 3 for support canopy and safety cable installation.**

**IMPORTANT SAFETY INFORMATION LISTED ON REVERSE  
READ, FOLLOW, AND SAVE ALL SAFETY AND INSTALLATION INSTRUCTIONS**

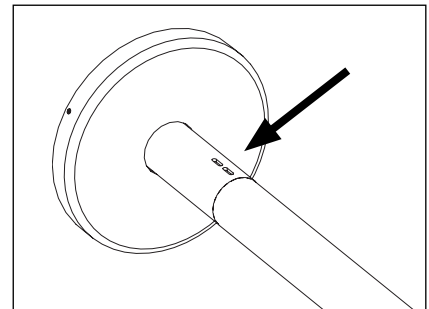
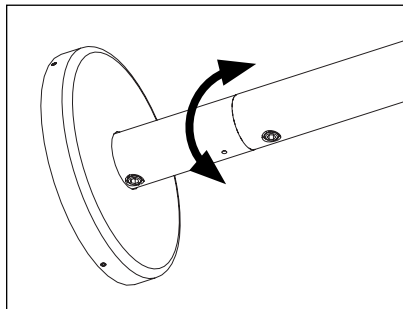
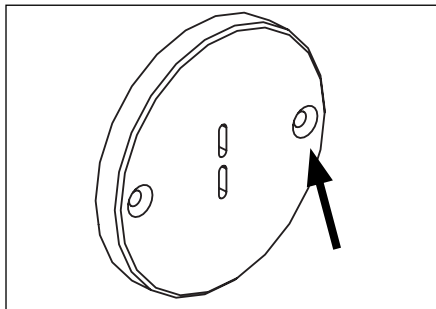




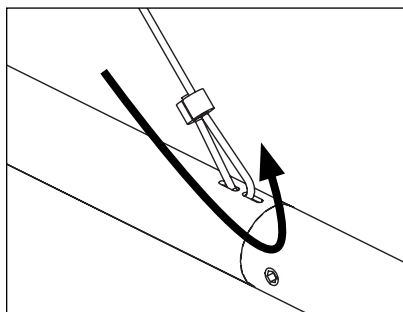
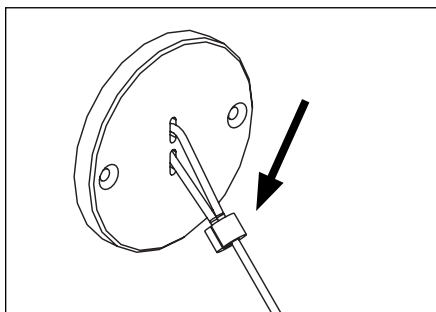
### Safety Cable Installation Instructions - If Required

**!** Depending on fixture stem length, fixture will not support itself. Structural support cable *must* be installed in the field. Please read support canopy and safety cable installation.

- SN-DE-A Stem greater than 36" inches
- SN-DE-B Stem greater than 36" inches
- SN-DE-L Stem greater than 36" inches
- SN-DE-F Stem greater than 36" inches
- SN-DE-G Stem greater than 36" inches



5. Mount support canopy above fixture location using appropriate mounting hardware for surface. (By Others). **Seal building envelope as per NEC. Do not overtighten.**
6. Adjust stem so that cable notch in stem lines up with support canopy location and cable. Loosen 3/8" set screw in stem to adjust.
7. Tighten set screw when cable notch in stem is in line with support cable and support canopy.

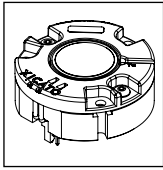


8. Thread aircraft support cable through support canopy cable notch. Loop and fasten with compression fitting. Use proper crimping tool to close compression fitting.
9. Thread aircraft support cable through cable notch in stem. Loop and fasten with compression fitting. Use proper crimping tool to close compression fitting.

**!** Fixture will not support itself. Structural support cable must be installed in the field.

**IMPORTANT SAFETY INFORMATION LISTED ON REVERSE  
READ, FOLLOW, AND SAVE ALL SAFETY AND INSTALLATION INSTRUCTIONS**





# LED BOARD / OPTICS

Power of X (x58-x63)

## Standard Installation Replacement



Warning



Hot Surface

TOOLS  
NEEDED:



.050" & 5/64" Allen Wrench

By Others

### INSTRUCTIONS PERTAINING TO A RISK OF FIRE, OR INJURY TO PERSONS IMPORTANT SAFETY INSTRUCTIONS

**Lighted fixture is HOT!**

**WARNING - To reduce the risk of  
FIRE OR INJURY TO PERSONS:**

Turn off/unplug and allow to cool before replacing LED. Fixture gets HOT quickly! Contact only switch/plug when turning on. Do not touch hot lens, guard, or enclosure. Keep fixture away from materials that may burn. Do not operate the luminaire fitting with a missing or damaged shield. Do not touch the source at any time. Use a soft cloth or gloves. Oil from skin may cause damage.

**SAVE THESE INSTRUCTIONS**

### IMPORTANT SAFETY INFORMATION - READ, FOLLOW, AND SAVE ALL SAFETY AND INSTALLATION INSTRUCTIONS

- Product must be installed by a qualified person in a manner consistent with its intended use and in compliance with the National Electrical Code, Canadian Electrical Code, and all Local and Provincial Codes.
- Follow product label information and instructions.
- Qualified Personnel with appropriate personal protective equipment must perform all servicing of this product.
- Before wiring to power supply and during servicing, turn off and lock out power at fuse or circuit breaker before service.
- The use of accessory equipment not recommended by the manufacturer or installed contrary to instructions may cause an unsafe condition. The use of damaged components may cause an unsafe condition and void product warranty.

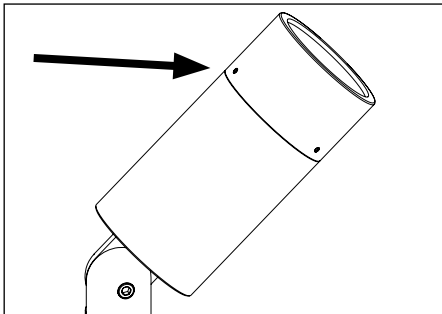
- Do not block light emanating from product in whole or part, as this may cause an unsafe condition.
- Never operate the fixture with missing or damaged lens. Lens must be cleaned on regular basis.
- Entire fixture may become extremely hot. Do not touch hot lens or fixture body.
- Replace LED assembly only with correct wattage and type of power supply appropriate for LED assembly.
- All gaskets, o-rings and sealing surfaces must be kept clean during installation and service; failure to do this may cause an unsafe condition and void product warranty.

### IMPORTANT LISTINGS AND CERTIFICATIONS

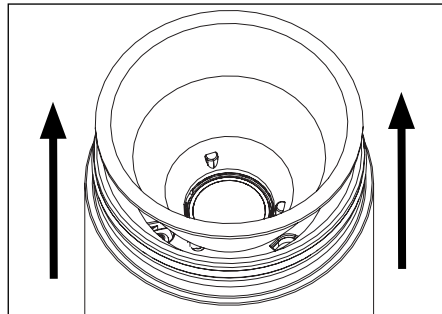
- Suitable for wet locations



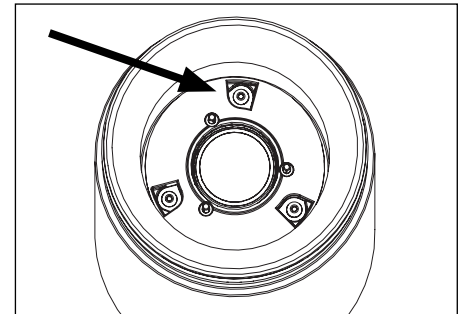
**This product is available with field replaceable components. Exclusive interchangeable OPTIKITS and modular LED components with quick disconnects simplifies upgrades and maintenance when necessary.**



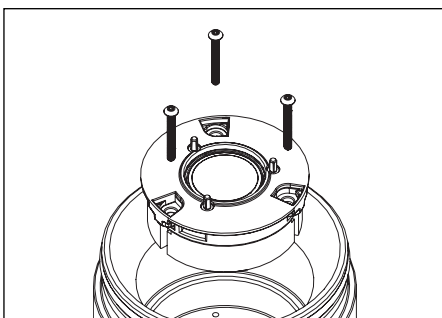
1. Use 5/64" Allen wrench to slightly loosen three (3) #8-32 stainless steel set screws to remove cap.



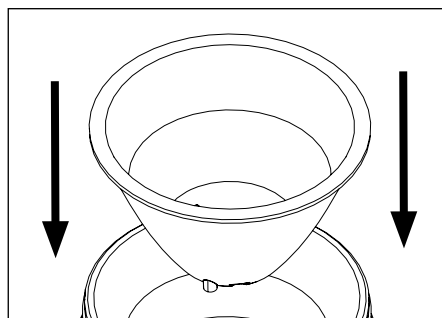
2. Remove optic by pulling gently and lift up.



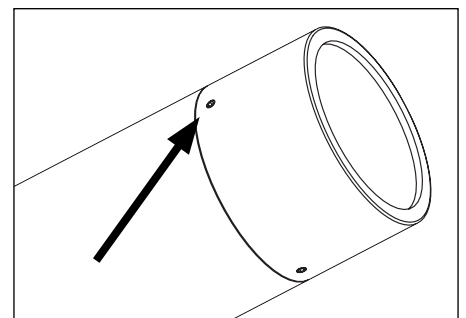
3. Use .050" Allen wrench to loosen three (3) set screws holding optic holder and LED module.



4. Gently lift LED module and disconnect from fixture. Install new LED module. Secure set screws through LED module and optic holder using .050" Allen wrench.



5. Replace optic by lining tabs with optic holder, then pressing down gently until secured into place.



6. Place cap on fixture and tighten set screws. Tighten screw to 1/2 in-lbs. Top of screws should sit flush with fixture cap.



**Do not pull on connector or wiring. Handle with care.**



**Warning: Do not over tighten set screws. Doing so will compromise O-Ring seal and will void warranty.**

### IMPORTANT SAFETY INFORMATION - READ, FOLLOW, AND SAVE THESE INSTALLATION INSTRUCTIONS

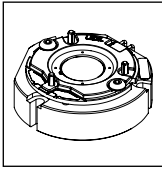
# B-K LIGHTING

40429 Brickyard Drive • Madera, CA 93636 • USA  
559.438.5800 • FAX 559.438.5900  
www.bklighting.com • info@bklighting.com

RELEASED  
8-17-18

REFERENCE NUMBER  
INS000010

THIS DOCUMENT CONTAINS PROPRIETARY INFORMATION OF B-K LIGHTING, INC. AND ITS RECEIPT OR POSSESSION DOES NOT CONVEY ANY RIGHTS TO REPRODUCE, DISCLOSE ITS CONTENTS, OR TO MANUFACTURE, USE OR SELL ANYTHING IT MAY DESCRIBE. REPRODUCTION, DISCLOSURE OR USE WITHOUT SPECIFIC WRITTEN AUTHORIZATION OF B-K LIGHTING, INC. IS STRICTLY FORBIDDEN.



## Standard Installation Replacement



# LED BOARD / OPTICS

Power of X (x64-x66)



Warning



Hot Surface

TOOLS  
NEEDED:



.050" & 5/64" Allen Wrench

By Others

### INSTRUCTIONS PERTAINING TO A RISK OF FIRE, OR INJURY TO PERSONS IMPORTANT SAFETY INSTRUCTIONS

**Lighted fixture is HOT!**

**WARNING - To reduce the risk of  
FIRE OR INJURY TO PERSONS:**

Turn off/unplug and allow to cool before replacing LED. Fixture gets HOT quickly! Contact only switch/plug when turning on. Do not touch hot lens, guard, or enclosure. Keep fixture away from materials that may burn. Do not operate the luminaire fitting with a missing or damaged shield. Do not touch the source at any time. Use a soft cloth or gloves. Oil from skin may cause damage.

**SAVE THESE INSTRUCTIONS**

### IMPORTANT SAFETY INFORMATION - READ, FOLLOW, AND SAVE ALL SAFETY AND INSTALLATION INSTRUCTIONS

- Product must be installed by a qualified person in a manner consistent with its intended use and in compliance with the National Electrical Code, Canadian Electrical Code, and all Local and Provincial Codes.
- Follow product label information and instructions.
- Qualified Personnel with appropriate personal protective equipment must perform all servicing of this product.
- Before wiring to power supply and during servicing, turn off and lock out power at fuse or circuit breaker before service.
- The use of accessory equipment not recommended by the manufacturer or installed contrary to instructions may cause an unsafe condition. The use of damaged components may cause an unsafe condition and void product warranty.

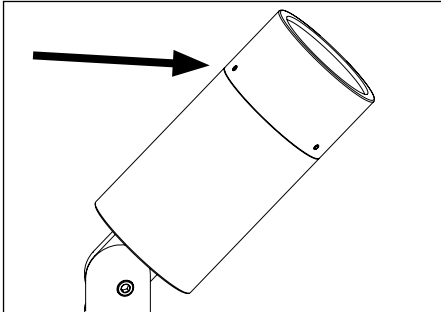
- Do not block light emanating from product in whole or part, as this may cause an unsafe condition.
- Never operate the fixture with missing or damaged lens. Lens must be cleaned on regular basis.
- Entire fixture may become extremely hot. Do not touch hot lens or fixture body.
- Replace LED assembly only with correct wattage and type of power supply appropriate for LED assembly.
- All gaskets, o-rings and sealing surfaces must be kept clean during installation and service; failure to do this may cause an unsafe condition and void product warranty.

### IMPORTANT LISTINGS AND CERTIFICATIONS

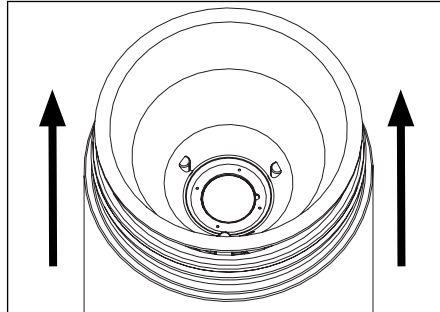
- Suitable for wet locations



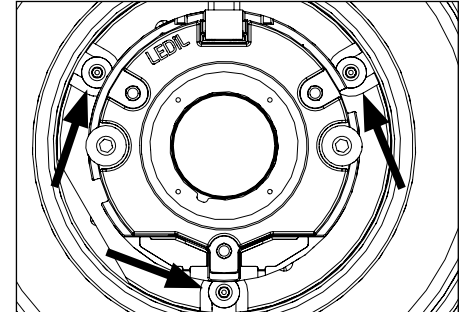
**This product is available with field replaceable components. Exclusive interchangeable OPTIKITS and modular LED components with quick disconnects simplifies upgrades and maintenance when necessary.**



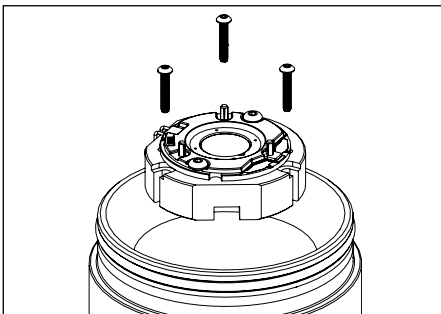
1. Use 5/64" Allen wrench to slightly loosen three (3) #8-32 stainless steel set screws to remove cap.



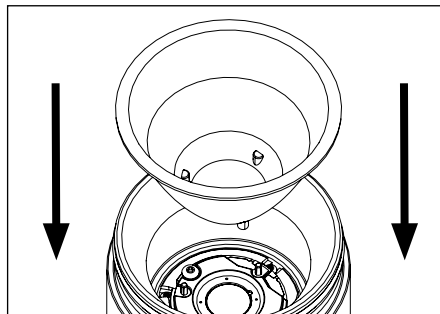
2. Remove optic by pulling gently and lift up.



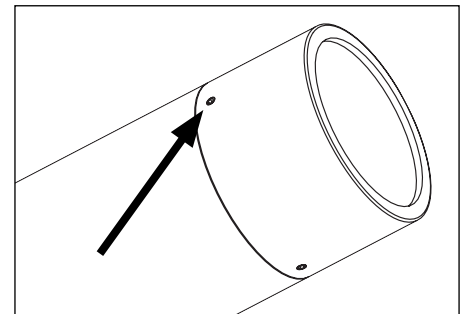
3. Use .050" Allen wrench to loosen three (3) set screws holding LED module. Gently lift from fixture.



4. Gently lift LED module and disconnect from fixture. Install new LED module. Secure set screws using .050" Allen wrench.



5. Replace optic by lining notches with optic holder, then pressing down gently until secured into place.



6. Place cap on fixture and tighten set screws. Tighten screw to 1/2 in-lbs. Top of screws should sit flush with fixture cap.

**Warning:** Do not pull on connector or wiring. Handle with care.

**Warning:** Do not over tighten set screws. Doing so will compromise O-Ring seal and will void warranty.

### IMPORTANT SAFETY INFORMATION - READ, FOLLOW, AND SAVE THESE INSTALLATION INSTRUCTIONS

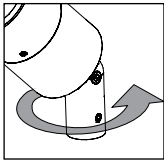
# B-K LIGHTING

40429 Brickyard Drive • Madera, CA 93636 • USA  
559.438.5800 • FAX 559.438.5900  
www.bklighting.com • info@bklighting.com

RELEASED  
8-17-18

REFERENCE NUMBER  
INS000011

THIS DOCUMENT CONTAINS PROPRIETARY INFORMATION OF B-K LIGHTING, INC. AND ITS RECEIPT OR POSSESSION DOES NOT CONVEY ANY RIGHTS TO REPRODUCE, DISCLOSE ITS CONTENTS, OR TO MANUFACTURE, USE OR SELL ANYTHING IT MAY DESCRIBE. REPRODUCTION, DISCLOSURE OR USE WITHOUT SPECIFIC WRITTEN AUTHORIZATION OF B-K LIGHTING, INC. IS STRICTLY FORBIDDEN.



## Standard Adjustment



Warning



Hot Surface

# 360HD™ Knuckle Mounting System

TOOLS  
NEEDED:



3/16" Allen wrench

By Others

### INSTRUCTIONS PERTAINING TO A RISK OF FIRE, OR INJURY TO PERSONS IMPORTANT SAFETY INSTRUCTIONS

Lighted lamp is HOT!

**WARNING - To reduce the risk of FIRE OR INJURY TO PERSONS:**  
Turn off/unplug and allow to cool before replacing lamp.  
Lamp gets HOT quickly! Contact only switch/plug when  
turning on.

Do not touch hot lens, guard, or enclosure (see diagram/  
picture).

Keep lamp away from materials that may burn.  
Do not touch the lamp at any time. Use a soft cloth. Oil  
from skin may damage lamp.

Do not operate the luminaire fitting with a missing or  
damaged shield.

**SAVE THESE INSTRUCTIONS**

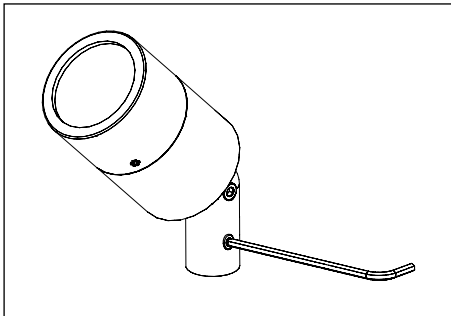
### IMPORTANT SAFETY INFORMATION - READ, FOLLOW, AND SAVE ALL SAFETY AND INSTALLATION INSTRUCTIONS

- Product must be installed by a qualified person in a manner consistent with its intended use and in compliance with the National Electrical Code, Canadian Electrical Code, and all Local and Provincial Codes.
- Follow product label information and instructions.
- Qualified Personnel must perform all servicing or relamping of this product.
- Before wiring to power supply and during servicing or relamping, turn off power at fuse or circuit breaker before service.
- The use of accessory equipment not recommended by the manufacturer or installed contrary to instructions may cause an unsafe condition. The use of damaged components may cause an unsafe condition and void product warranty.
- Do not block light emanating from product in whole or part, as this may cause an unsafe condition.
- Never operate the fixture with missing or damaged lens. Lens must be cleaned on regular basis.
- Entire fixture may become extremely hot. Do not touch hot lens or fixture body. Do not touch the lamp at any time. Use a clean, dry, soft cloth to handle the lamp. Oil from skin may damage the lamp and cause it to rupture.
- Replace lamp only with correct wattage and type of lamp marked on fixture label.
- All gaskets, O-rings and sealing surfaces must be kept clean during installation and service; failure to do this may cause an unsafe condition and void product warranty.

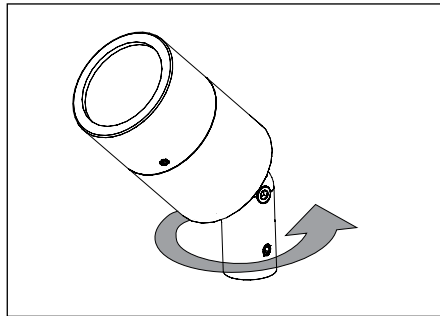
### IMPORTANT LISTINGS AND CERTIFICATIONS

- Suitable for wet locations • Additionally suitable for mounting within 4 ft. of the ground

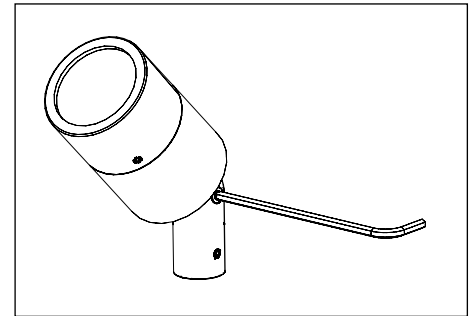
## 360HD™ Knuckle Mounting System



1. Use 3/16" Allen wrench to slightly loosen (1) 3/8"-16 x 3/8" stainless steel black oxide set screw on the stem for 360° aiming purpose.



2. Rotate fixture at base and aim fixture to desired horizontal location.



3. Use 3/16" Allen wrench to loosen (1) 1/4"-28 x 1-1/4" stainless steel black oxide socket head cap screw at the knuckle for vertical aiming purpose.
4. Tighten (1) 3/8"-16 x 3/8" stainless steel black oxide set screw on the stem to secure horizontal aiming position.

Tighten (1) 1/4"-28 x 1-1/4" stainless steel black oxide socket head cap screw to 24" minimum to 48" maximum pounds to secure vertical aiming position

**Warning:** Do not over tighten set screw. Doing so will compromise O-ring seal and will void warranty.

### IMPORTANT SAFETY INFORMATION - READ, FOLLOW, AND SAVE THESE INSTALLATION INSTRUCTIONS

# B-K LIGHTING

40429 Brickyard Drive • Madera, CA 93636 • USA  
559.438.5800 • FAX 559.438.5900  
www.bklighting.com • info@bklighting.com

RELEASED  
1-31-14

REFERENCE NUMBER  
INS-2096-00

THIS DOCUMENT CONTAINS PROPRIETARY INFORMATION OF B-K LIGHTING, INC. AND ITS RECEIPT OR POSSESSION DOES NOT CONVEY ANY RIGHTS TO REPRODUCE, DISCLOSE ITS CONTENTS, OR TO MANUFACTURE, USE OR SELL ANYTHING IT MAY DESCRIBE. REPRODUCTION, DISCLOSURE OR USE WITHOUT SPECIFIC WRITTEN AUTHORIZATION OF B-K LIGHTING, INC. IS STRICTLY FORBIDDEN.