

Installation Instructions



Warning



Hot Surface





Flammable



Low Voltage

TOOLS NEEDED:

-  1/8", 5/32", & 5/64" Allen Wrench
-  Waterproof Wire Connectors

By Others

INSTRUCTIONS PERTAINING TO A RISK OF FIRE, OR INJURY TO PERSONS IMPORTANT SAFETY INSTRUCTIONS

Lighted lamp is HOT!

WARNING - To reduce the risk of FIRE OR INJURY TO PERSONS: Turn off/unplug and allow to cool before replacing lamp. Lamp gets HOT quickly! Contact only switch/plug when turning on.

Do not touch hot lens, guard, or enclosure (see diagram/picture).

Keep lamp away from materials that may burn. Do not touch the lamp at any time. Use a soft cloth. Oil from skin may damage lamp.

Do not operate the luminaire fitting with a missing or damaged shield.

SAVE THESE INSTRUCTIONS

IMPORTANT SAFETY INFORMATION - READ, FOLLOW, AND SAVE ALL SAFETY AND INSTALLATION INSTRUCTIONS

- Product must be installed by a qualified person in a manner consistent with its intended use and in compliance with the National Electrical Code, Canadian Electrical Code, and all Local and Provincial Codes.
- Follow product label information and instructions.
- Qualified Personnel must perform all servicing or relamping of this product.
- Before wiring to power supply and during servicing or relamping, turn off power at fuse or circuit breaker before service.
- The use of accessory equipment not recommended by the manufacturer or installed contrary to instructions may cause an unsafe condition. The use of damaged components may cause an unsafe condition and void product warranty.
- Do not block light emanating from product in whole or part, as this may cause an unsafe condition.
- Never operate the fixture with missing or damaged lens. Lens must be cleaned on regular basis.
- Entire fixture may become extremely hot. Do not touch hot lens or fixture body. Do not touch the lamp at any time. Use a clean, dry, soft cloth to handle the lamp. Oil from skin may damage the lamp and cause it to rupture.
- Replace lamp only with correct wattage and type of lamp marked on fixture label.
- All gaskets, o-rings and sealing surfaces must be kept clean during installation and service; failure to do this may cause an unsafe condition and void product warranty.

IMPORTANT LISTINGS AND CERTIFICATIONS

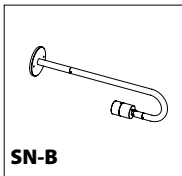
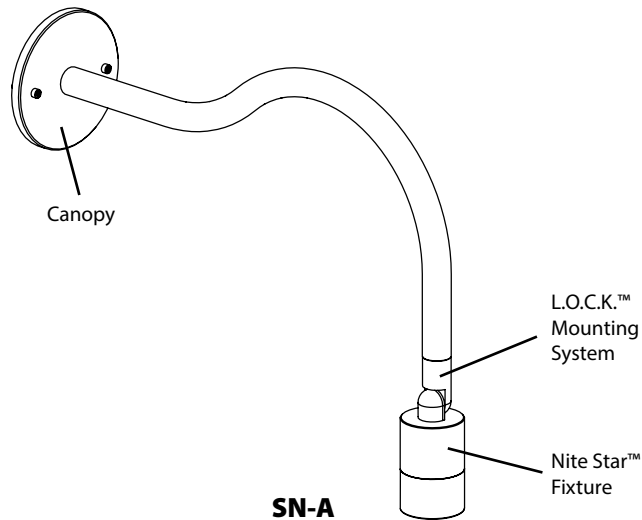
- Suitable for wet locations

Please refer to the low voltage design guide at www.bklighting.com/lvguide before installation for proper wire selection.

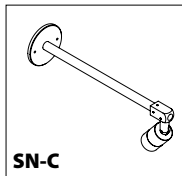
This set of instructions works for:

- SN-A** - Sign Star™ Style "A"
- SN-B** - Sign Star™ Style "B"
- SN-C** - Sign Star™ Style "C"
- SN-D** - Sign Star™ Style "D"
- SN-L** - Sign Star™ Style "L"
- SN-F** - Sign Star™ Style "F"
- SN-G** - Sign Star™ Style "G"

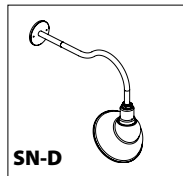
- ST-A** - Twin Sign Star™ Style "A"
- ST-B** - Twin Sign Star™ Style "B"
- ST-C** - Twin Sign Star™ Style "C"
- ST-F** - Twin Sign Star™ Style "F"
- ST-G** - Twin Sign Star™ Style "G"



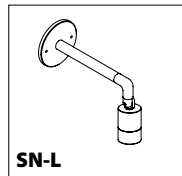
SN-B



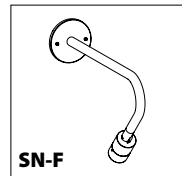
SN-C



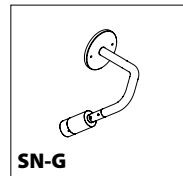
SN-D



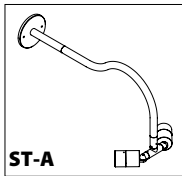
SN-L



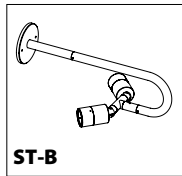
SN-F



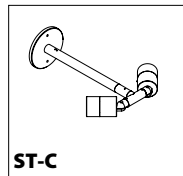
SN-G



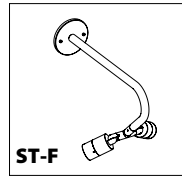
ST-A



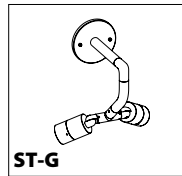
ST-B



ST-C



ST-F



ST-G

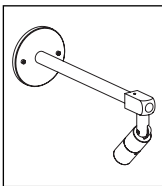
IMPORTANT SAFETY INFORMATION - READ, FOLLOW, AND SAVE THESE INSTALLATION INSTRUCTIONS

B-K LIGHTING

40429 Brickyard Drive • Madera, CA 93636 • USA
559.438.5800 • FAX 559.438.5900
www.bklighting.com • info@bklighting.com

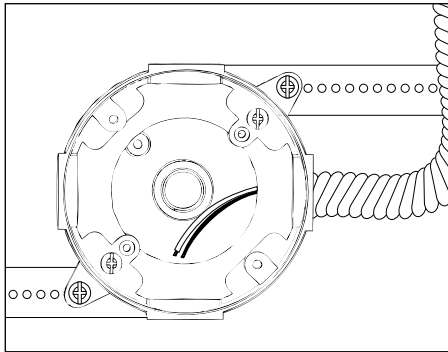
RELEASED
7-30-18

REFERENCE NUMBER
INS-2264-00



Phase 1 - Rough In

Installation of Back box



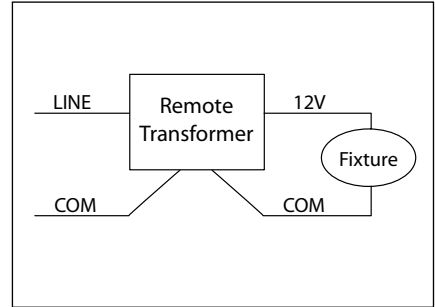
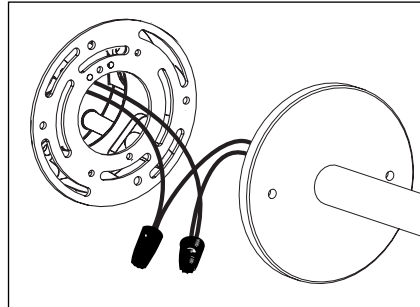
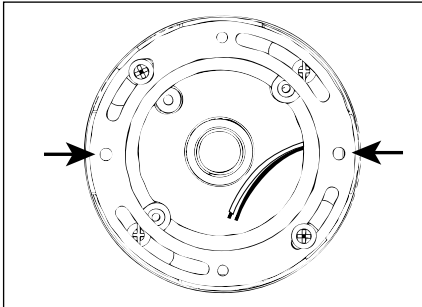
Additional Info

- Please follow National and Local electrical codes for your area.
- Suitable for through wire
- Suitable for installation into combustible materials.
- Rated for 90° C.
- Junction box, universal mounting ring screws, box mounting hardware and gaskets (By Others)

⚠ Sign Star™ Style D (SN-D) shade must be installed facing downwards. Installations where shade is facing upwards will VOID WARRANTY.


1. Install Conduit (By Others) to be used with this product.
2. Install junction box so that front face is flush with finished wall. Seal building envelope as per NEC.
3. Connect box to conduit and pull wires for connections (See wiring diagram).

Phase 2 - Finish Installation of Fixture

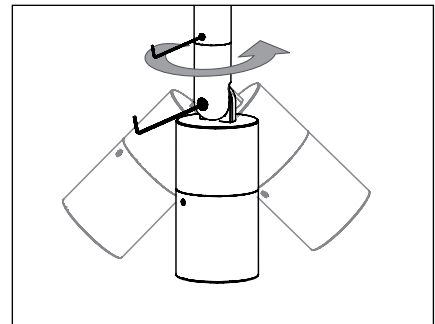
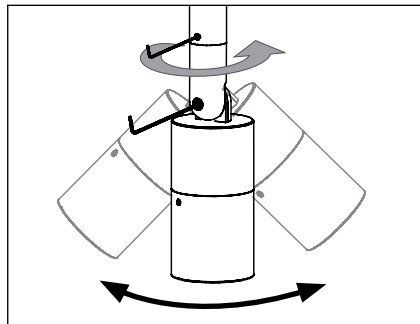
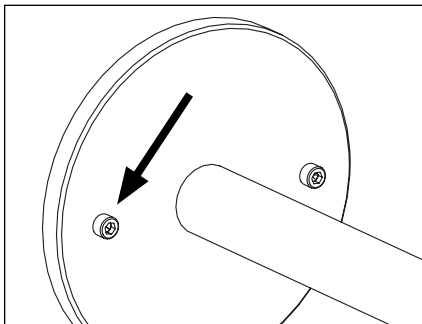


1. Install universal mounting ring (supplied with fixture) with #10-24 screws using 1/8" Allen wrench onto back box. Align fixture mounting holes to final mounting position.
2. Make watertight connections from remote transformer to fixture leads using waterproof wire connectors. (By Others) **See wiring diagram.**

WIRING DIAGRAM

⚠ LED - For use with 12VAC  remote transformer or magnetic transformers only. B-K Lighting cannot guarantee performance with third party manufacturers' transformers.

⚠ Low Voltage - For use with 12VAC remote transformer.

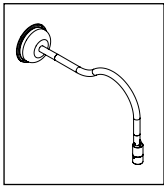


3. Mount canopy to junction box with universal mounting ring using two (2) #10-24 stainless steel black oxide screws with 1/8" Allen wrench. **Seal building envelope as per NEC. Do not overtighten.**
4. Use 5/32" Allen wrench to loosen #10-32 stainless steel black oxide socket head cap screw at the knuckle. Aim fixture to desired vertical location. Tighten to secure aiming position.
5. **Optional 360SL™:** Use 5/64" Allen wrench to loosen stainless steel set screw on the 360SL™ rotational mounting system and rotate to desired horizontal location. Tighten to secure aiming position.

⚠ Sign Star™ Style D (SN-D) shade must be installed facing downwards.

**IMPORTANT SAFETY INFORMATION LISTED ON REVERSE
READ, FOLLOW, AND SAVE ALL SAFETY AND INSTALLATION INSTRUCTIONS**





Standard Installation Instructions



Warning



Hot Surface






Flammable



High Voltage

**TOOLS
NEEDED:**

-  5/32" & 5/64" Allen Wrench
-  Waterproof Wire Connectors
-  Mounting Hardware

By Others

**INSTRUCTIONS PERTAINING TO
A RISK OF FIRE, OR INJURY TO
PERSONS IMPORTANT SAFETY
INSTRUCTIONS**

Lighted lamp is HOT!
WARNING - To reduce the risk of FIRE OR INJURY TO PERSONS:
 Turn off/unplug and allow to cool before replacing lamp.
 Lamp gets HOT quickly! Contact only switch/plug when
 turning on.
 Do not touch hot lens, guard, or enclosure (see diagram/
 picture).
 Keep lamp away from materials that may burn.
 Do not touch the lamp at any time. Use a soft cloth. Oil
 from skin may damage lamp.
 Do not operate the luminaire fitting with a missing or
 damaged shield.

SAVE THESE INSTRUCTIONS

**IMPORTANT SAFETY INFORMATION - READ, FOLLOW, AND SAVE ALL SAFETY
AND INSTALLATION INSTRUCTIONS**

- Product must be installed by a qualified person in a manner consistent with its intended use and in compliance with the National Electrical Code, Canadian Electrical Code, and all Local and Provincial Codes.
- Follow product label information and instructions.
- Qualified Personnel must perform all servicing or relamping of this product.
- Before wiring to power supply and during servicing or relamping, turn off power at fuse or circuit breaker before service.
- The use of accessory equipment not recommended by the manufacturer or installed contrary to instructions may cause an unsafe condition. The use of damaged components may cause an unsafe condition and void product warranty.
- Do not block light emanating from product in whole or part, as this may cause an unsafe condition.
- Never operate the fixture with missing or damaged lens. Lens must be cleaned on regular basis.
- Entire fixture may become extremely hot. Do not touch hot lens or fixture body. Do not touch the lamp at any time. Use a clean, dry, soft cloth to handle the lamp. Oil from skin may damage the lamp and cause it to rupture.
- Replace lamp only with correct wattage and type of lamp marked on fixture label.
- All gaskets, o-rings and sealing surfaces must be kept clean during installation and service; failure to do this may cause an unsafe condition and void product warranty.

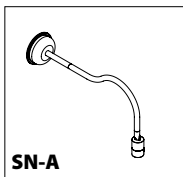
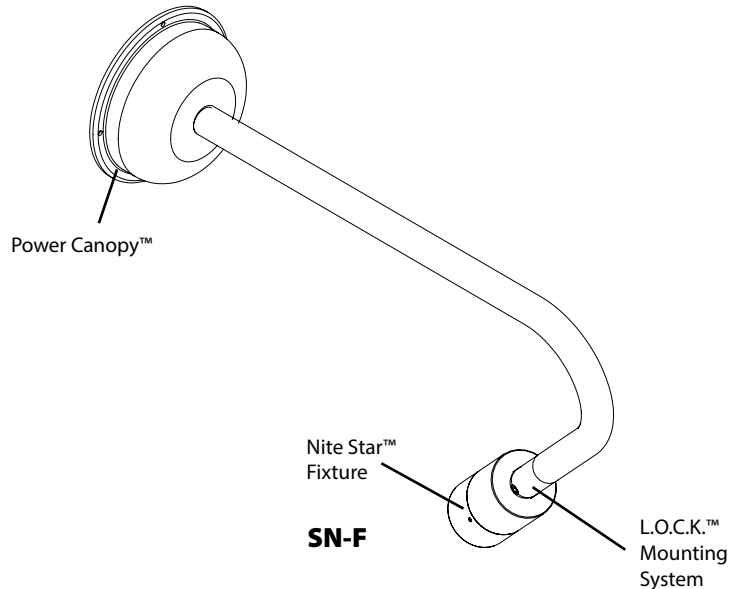
IMPORTANT LISTINGS AND CERTIFICATIONS

- Suitable for wet locations

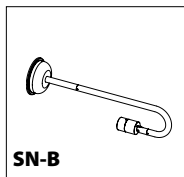
This set of instructions works for:

- SN-A** - Sign Star™ Style "A"
- SN-B** - Sign Star™ Style "B"
- SN-C** - Sign Star™ Style "C"
- SN-D** - Sign Star™ Style "D"
- SN-L** - Sign Star™ Style "L"
- SN-F** - Sign Star™ Style "F"
- SN-G** - Sign Star™ Style "G"

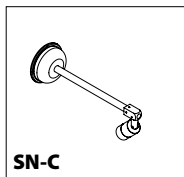
- ST-A** - Twin Sign Star™ Style "A"
- ST-B** - Twin Sign Star™ Style "B"
- ST-C** - Twin Sign Star™ Style "C"
- ST-F** - Twin Sign Star™ Style "F"
- ST-G** - Twin Sign Star™ Style "G"



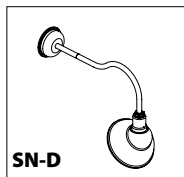
SN-A



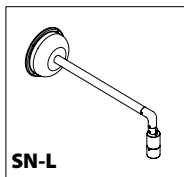
SN-B



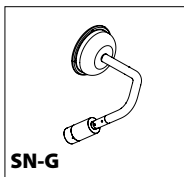
SN-C



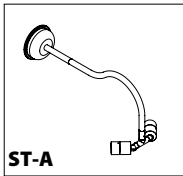
SN-D



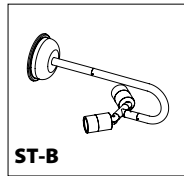
SN-L



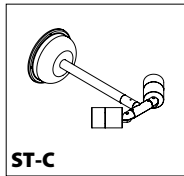
SN-G



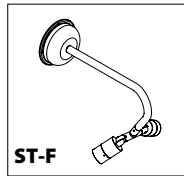
ST-A



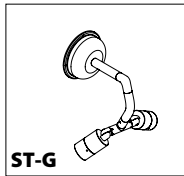
ST-B



ST-C



ST-F



ST-G

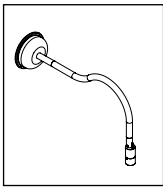
IMPORTANT SAFETY INFORMATION - READ, FOLLOW, AND SAVE THESE INSTALLATION INSTRUCTIONS

B-K LIGHTING

40429 Brickyard Drive • Madera, CA 93636 • USA
 559.438.5800 • FAX 559.438.5900
 www.bklighting.com • info@bklighting.com

RELEASED
 7-30-18

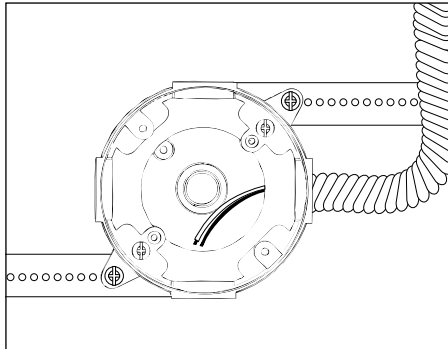
REFERENCE NUMBER
 INS-2264-01



Standard Installation Instructions

Phase 1 - Rough In

Installation of Back box



Additional Info

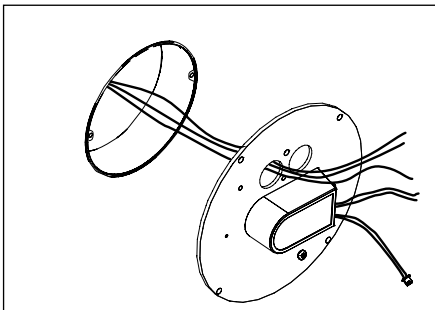
- Please follow National and Local electrical codes for your area.
- Suitable for through wire
- Suitable for installation into combustible materials.
- Rated for 90° C.
- Junction box, universal mounting ring screws, box mounting hardware and gaskets (By Others)



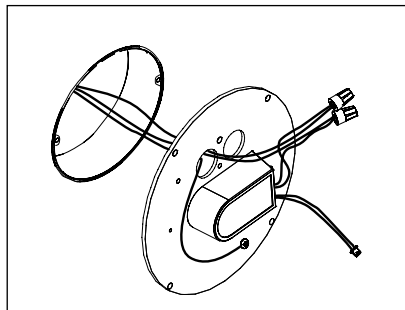
Sign Star™ Style D (SN-D) shade must be installed facing downwards. Installations where shade is facing upwards will VOID WARRANTY.

1. Install conduit and junction box (By Others) to be used with this product.
2. Install junction box so that front face is flush with finished wall or ceiling. Seal building envelope as per NEC.
3. Connect box to conduit and pull wires for connections (See Wiring diagram).

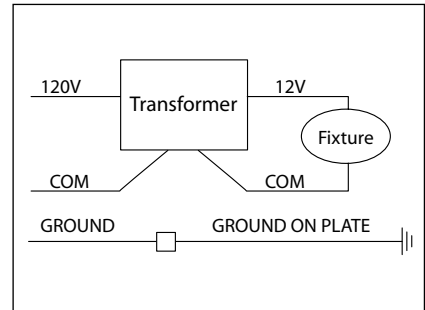
Phase 2 - Finish Installation of Fixture with Power Canopy.



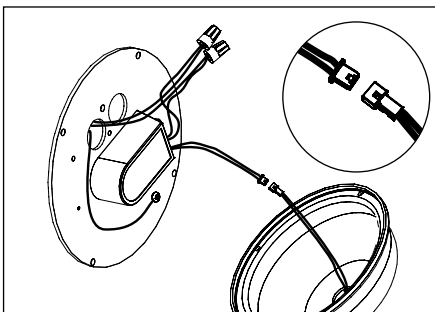
1. Remove wire entrance knockouts as needed on wall plate. Pull primary branch circuit through knockout(s). Attach wall plate to junction box using appropriate hardware (By Others).



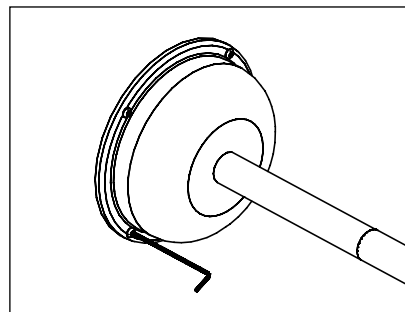
2. Ground primary branch circuit to wall plate per NEC. Make watertight connections from transformer to primary branch circuit using waterproof wire connectors (By Others). See wiring diagram.



WIRING DIAGRAM

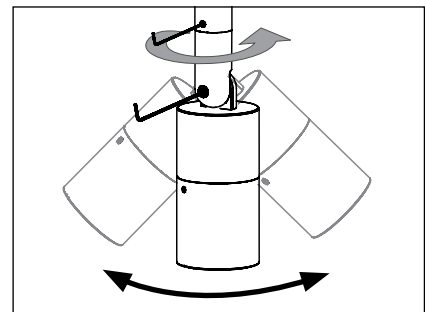


3. Connect fixture to transformer with provided quick disconnect.



4. Mount canopy to wall plate using four (4) #8-32 stainless steel button head screws with 5/64" Allen wrench. Seal building envelope as per NEC. Do not overtighten.

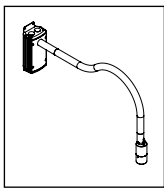
Sign Star™ Style D (SN-D) shade must be installed facing downwards.



5. Use 5/32" Allen wrench to loosen #10-32 stainless steel black oxide socket head cap screw at the knuckle. Aim fixture to desired vertical location. Tighten to secure aiming position.
6. **Optional 360SL™:** Use 5/64" Allen wrench to loosen stainless steel set screw on the 360SL™ rotational mounting system and rotate to desired horizontal location. Tighten to secure aiming position.

IMPORTANT SAFETY INFORMATION LISTED ON REVERSE READ, FOLLOW, AND SAVE ALL SAFETY AND INSTALLATION INSTRUCTIONS





Standard Installation Instructions



Warning



Hot Surface



Flammable



High Voltage

- NEEDED FOR INSTALLATION:**
- 1/8", 5/64" & 5/32" Allen Wrench
 - Waterproof Wire Connectors
 - Hammer
 - Phillips Screwdriver
 - 1/4" Drill Bit and Drill
 - Mounting Hardware
- By others

INSTRUCTIONS PERTAINING TO A RISK OF FIRE, OR INJURY TO PERSONS IMPORTANT SAFETY INSTRUCTIONS

Lighted lamp is HOT!
WARNING - To reduce the risk of FIRE OR INJURY TO PERSONS:
 Turn off/unplug and allow to cool before replacing lamp. Lamp gets HOT quickly! Contact only switch/plug when turning on.
 Do not touch hot lens, guard, or enclosure (see diagram/picture).
 Keep lamp away from materials that may burn. Do not touch the lamp at any time. Use a soft cloth. Oil from skin may damage lamp.
 Do not operate the luminaire fitting with a missing or damaged shield.

SAVE THESE INSTRUCTIONS

IMPORTANT SAFETY INFORMATION - READ, FOLLOW, AND SAVE ALL SAFETY AND INSTALLATION INSTRUCTIONS

- Product must be installed by a qualified person in a manner consistent with its intended use and in compliance with the National Electrical Code, Canadian Electrical Code, and all Local and Provincial Codes.
- Follow product label information and instructions.
- Qualified Personnel must perform all servicing or relamping of this product.
- Before wiring to power supply and during servicing or relamping, turn off power at fuse or circuit breaker before service.
- The use of accessory equipment not recommended by the manufacturer or installed contrary to instructions may cause an unsafe condition. The use of damaged components may cause an unsafe condition and void product warranty.
- Do not block light emanating from product in whole or part, as this may cause an unsafe condition.
- Never operate the fixture with missing or damaged lens. Lens must be cleaned on regular basis.
- Entire fixture may become extremely hot. Do not touch hot lens or fixture body. Do not touch the lamp at any time. Use a clean, dry, soft cloth to handle the lamp. Oil from skin may damage the lamp and cause it to rupture.
- Replace lamp only with correct wattage and type of lamp marked on fixture label.
- All gaskets, o-rings and sealing surfaces must be kept clean during installation and service; failure to do this may cause an unsafe condition and void product warranty.

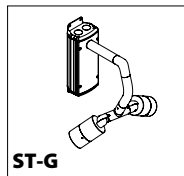
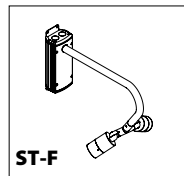
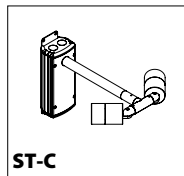
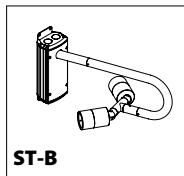
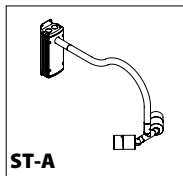
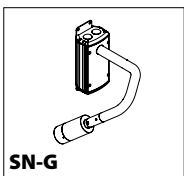
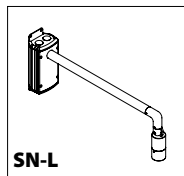
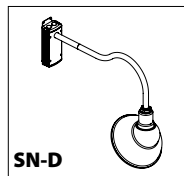
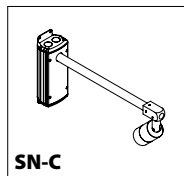
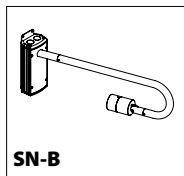
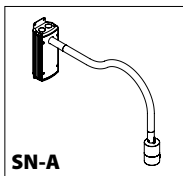
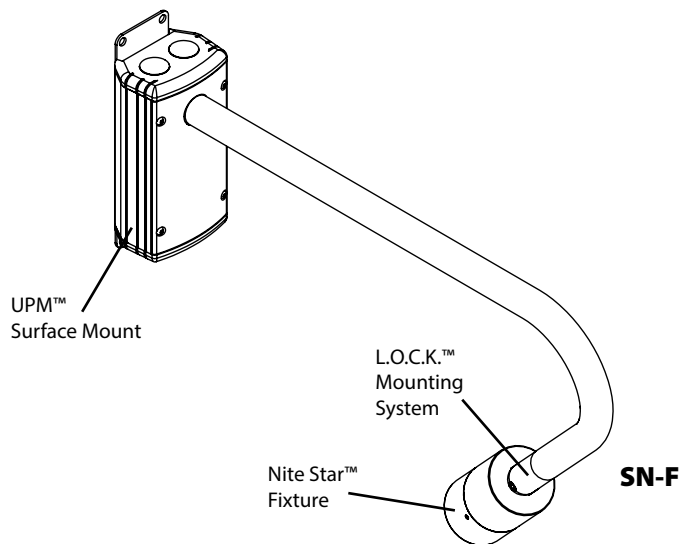
IMPORTANT LISTINGS AND CERTIFICATIONS

- Suitable for wet locations

This set of instructions works for:

- SN-A** - Sign Star™ Style "A"
- SN-B** - Sign Star™ Style "B"
- SN-C** - Sign Star™ Style "C"
- SN-D** - Sign Star™ Style "D"
- SN-L** - Sign Star™ Style "L"
- SN-F** - Sign Star™ Style "F"
- SN-G** - Sign Star™ Style "G"

- ST-A** - Twin Sign Star™ Style "A"
- ST-B** - Twin Sign Star™ Style "B"
- ST-C** - Twin Sign Star™ Style "C"
- ST-F** - Twin Sign Star™ Style "F"
- ST-G** - Twin Sign Star™ Style "G"



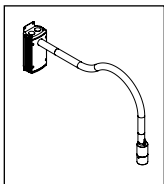
IMPORTANT SAFETY INFORMATION - READ, FOLLOW, AND SAVE THESE INSTALLATION INSTRUCTIONS

B-K LIGHTING

40429 Brickyard Drive • Madera, CA 93636 • USA
 559.438.5800 • FAX 559.438.5900
 www.bklighting.com • info@bklighting.com

RELEASED
 7-30-18

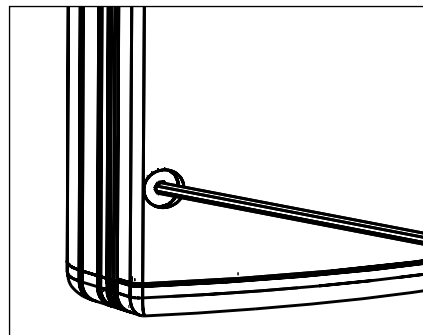
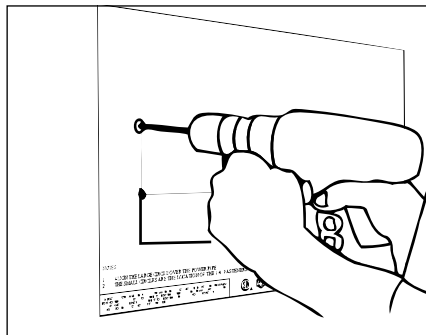
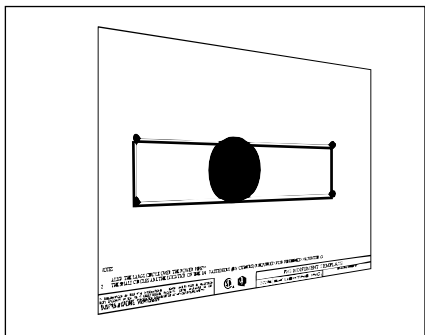
REFERENCE NUMBER
 INS-2264-02



Standard Installation Instructions

PROJECT: _____

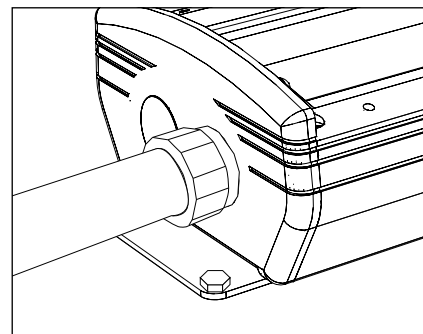
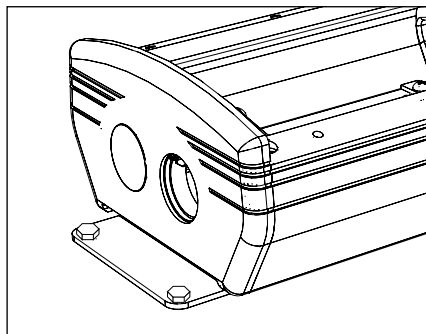
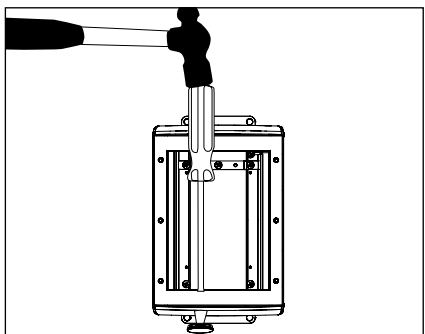
TYPE: _____



1. Prepare for final mounting position according to designed lighting plan.

2. Drill holes into surface for 1/4" fasteners (By Others).

3. Loosen (4) #6-32 captive screws using a 5/64" Allen wrench and disconnect quick disconnect to remove faceplate of UPM housing.



4. Remove Patented Knockout(s) as necessary from the inside of the UPM housing. Leave remaining unused knockouts in place to maintain seal.

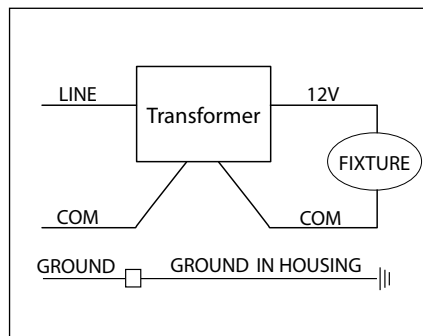
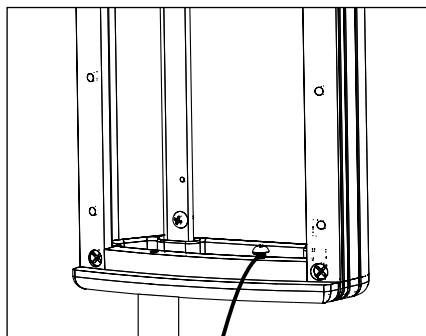
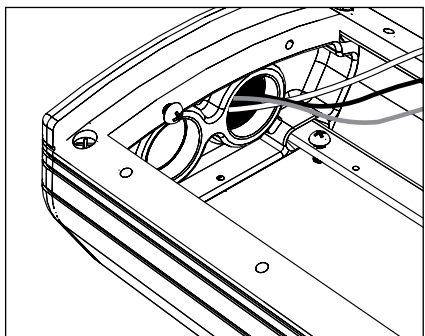
5. Attach the UPM housing at mounting brackets with 1/4" fasteners (By Others). Use suitable mounting hardware for surface.

6. Connect 3/4" conduit connector through female threaded conduit entry.

⚠ NOTE: Patented design featuring a silicone 'O' Ring allowing knockout to be tapped back into place to renew seal integrity.

⚠ NOTE: Many methods exist to bolt to a flat surface. The fixture is provided with mounting brackets with 1/4" holes.

⚠ NOTE: Surface conduit is a common entrance for water if not properly sealed. Seal connector threads and conduit with a suitable sealant (Teflon tape, adhesive, etc.). Sealing the conduit after knockouts are removed is required to maintain warranty.



7. Pull branch circuit wiring necessary for installation (By Others.)

8. Attach tether wire under screw head at the base of the UPM housing and tighten. Slowly lower the faceplate until tether is taut.

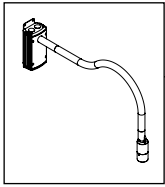
WIRING DIAGRAM

9. Use waterproof wire connectors (By Others) to connect transformer primary leads to branch circuit wires. Connect incoming ground to ground wire provided in UPM housing. See wiring diagram.

⚠ NOTE: Faceplate tether supplied with UPM is designed as an installation aid and NOT a safety cable. Do not add weight to, or drop faceplate.

**IMPORTANT SAFETY INFORMATION LISTED ON REVERSE
READ, FOLLOW, AND SAVE ALL SAFETY AND INSTALLATION INSTRUCTIONS**



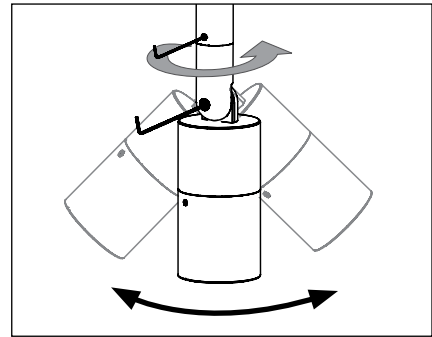
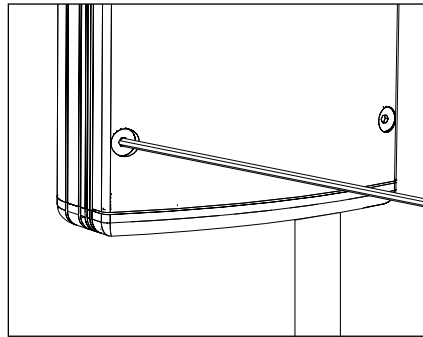
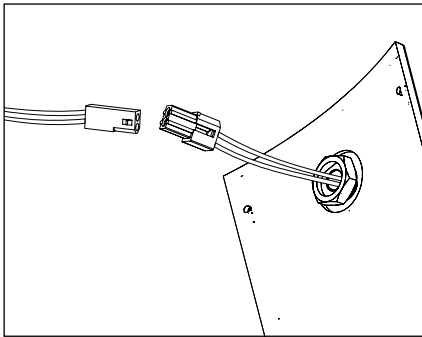


& Low Voltage

SIGN STAR™ & TWIN SIGN STAR™ UPM™ SURFACE MOUNT

Standard Installation Instructions

PROJECT:	
TYPE:	



10. Connect secondary leads from transformer to fixture leads using pre-wired factory quick disconnect.

11. Make sure UPM housing gasket is free of any dirt or debris. Attach the faceplate by tightening the (4) #6-32 captive screws evenly using a 5/64" Allen wrench.

⚠ Sign Star™ Style D (SN-D) shade must be installed facing downwards.

12. Use 5/32" Allen wrench to loosen #10-32 stainless steel black oxide socket head cap screw at the knuckle. Aim fixture to desired vertical location. Tighten to secure aiming position.

13. **Optional 360SL™:** Use 5/64" Allen wrench to loosen stainless steel set screw on the 360SL™ rotational mounting system and rotate to desired horizontal location. Tighten to secure aiming position.

**IMPORTANT SAFETY INFORMATION LISTED ON REVERSE
READ, FOLLOW, AND SAVE ALL SAFETY AND INSTALLATION INSTRUCTIONS**

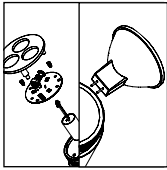


B-K LIGHTING

40429 Brickyard Drive • Madera, CA 93636 • USA
559.438.5800 • FAX 559.438.5900
www.bklighting.com • info@bklighting.com

RELEASED
7-30-18

REFERENCE NUMBER
INS-2264-02

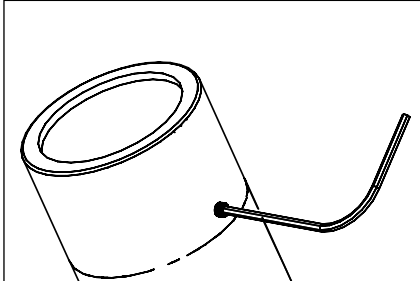


Replacement Instructions

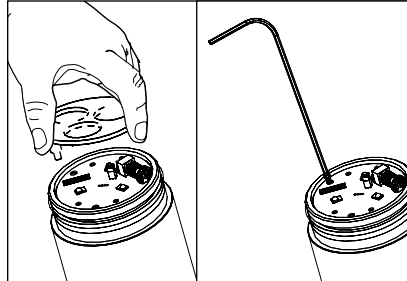


This product is available with Adjust-e-Lume[®] (Patent Pend.) for Dynamic Lumen Output Control
Warning! The light output of this product may be dynamically adjusted as desired to raise and lower light levels. Please ensure the fixture is set to the appropriate light level desired during installation.

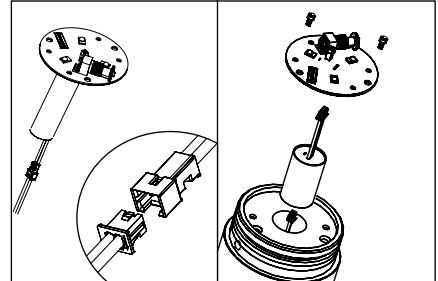
REPLACING LED BOARD/DRIVER AND OPTICS



1. Use 5/64" Allen wrench to loosen #8-32 stainless set screw and remove cap.

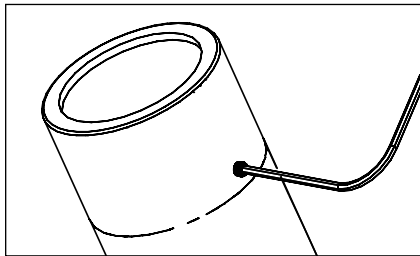


2. Space three fingers evenly around the optic and gently rock optic to remove.
 3. Use 5/64" Allen wrench to remove two (2) #2-56 socket head cap screws on LED board, grasp LED board and gently pull up to expose quick disconnect.

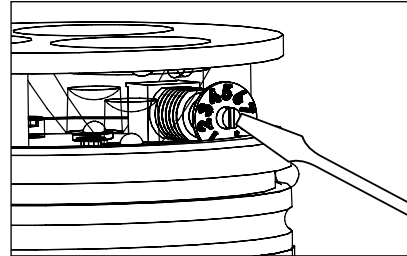


4. Disengage LED board and driver assembly. Replace with new board and driver assembly.
 5. Reverse install LED board and driver.
 6. With flat head screw driver rotate dial to desired lumen output. Replace cap.

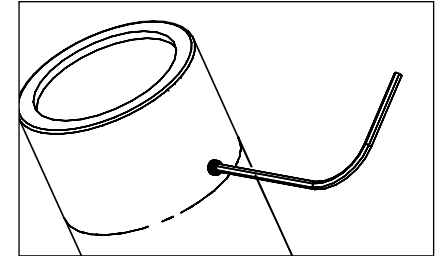
TO CHANGE LUMEN OUTPUT (WHEN REQUIRED)



1. Use 5/64" Allen wrench to loosen #8-32 stainless set screw and remove cap.



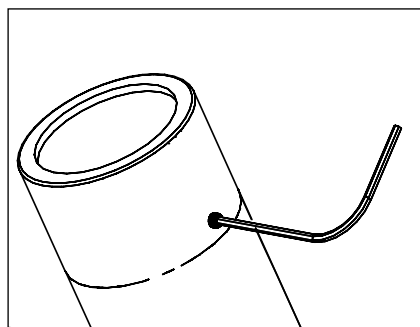
2. With flat head screw driver rotate dial to desired lumen output.



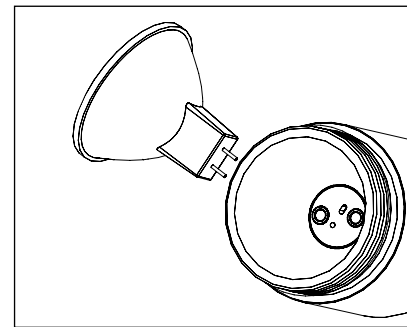
3. Place cap on fixture and tighten set screw. Tighten screw to 1/2 inch pounds. Top of screw should sit flush with fixture cap.

Warning: Do not over tighten set screw. Doing so will compromise O Ring seal and will void warranty.

LAMP INSTALLATION OR RELAMPING IF REQUIRED FOR LOW VOLTAGE HALOGEN LAMPS

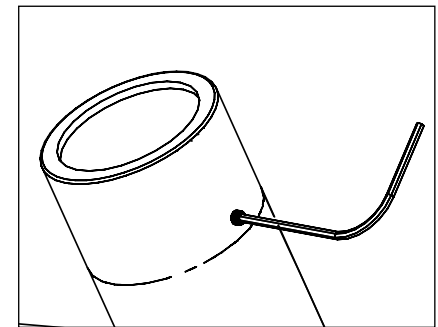


1. Use 5/64" Allen wrench to loosen #8-32 stainless set screw and remove cap.



2. Firmly insert lamp pins into socket to make connection. Rocking motion may be required.

Warning: Do not exceed the maximum wattage listed on the fixture label before installing.



3. Place cap on fixture and tighten set screw. Tighten screw to 1/2 in-lbs. Top of screw should sit flush with fixture cap.

Warning: Do not over tighten set screw. Doing so will compromise O Ring seal and will void warranty.

**IMPORTANT SAFETY INFORMATION LISTED ON REVERSE
 READ, FOLLOW, AND SAVE ALL SAFETY AND INSTALLATION INSTRUCTIONS**

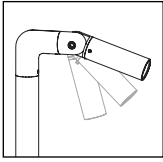


B-K LIGHTING

40429 Brickyard Drive • Madera, CA 93636 • USA
 559.438.5800 • FAX 559.438.5900
 www.bklighting.com • info@bklighting.com

RELEASED
 8-15-18

REFERENCE NUMBER
 INS000004



Standard Adjustment



Warning



Hot Surface

L.O.C.K.™ Knuckle System

**TOOLS
NEEDED:**



5/32" & 5/64" Allen Wrench

By Others

INSTRUCTIONS PERTAINING TO A RISK OF FIRE, OR INJURY TO PERSONS IMPORTANT SAFETY INSTRUCTIONS

Lighted lamp is HOT!

WARNING - To reduce the risk of FIRE OR INJURY TO PERSONS:
Turn off/unplug and allow to cool before replacing lamp.
Lamp gets HOT quickly! Contact only switch/plug when
turning on.

Do not touch hot lens, guard, or enclosure (see diagram/
picture).

Keep lamp away from materials that may burn.

Do not touch the lamp at any time. Use a soft cloth. Oil
from skin may damage lamp.

Do not operate the luminaire fitting with a missing or
damaged shield.

SAVE THESE INSTRUCTIONS

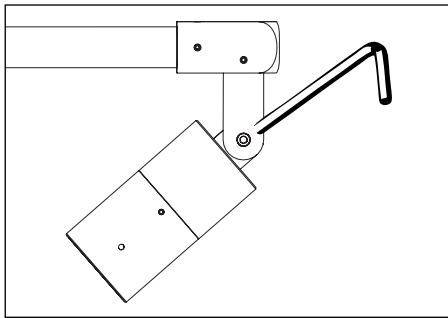
IMPORTANT SAFETY INFORMATION - READ, FOLLOW, AND SAVE ALL SAFETY AND INSTALLATION INSTRUCTIONS

- Product must be installed by a qualified person in a manner consistent with its intended use and in compliance with the National Electrical Code, Canadian Electrical Code, and all Local and Provincial Codes.
- Follow product label information and instructions.
- Qualified Personnel must perform all servicing or relamping of this product.
- Before wiring to power supply and during servicing or relamping, turn off power at fuse or circuit breaker before service.
- The use of accessory equipment not recommended by the manufacturer or installed contrary to instructions may cause an unsafe condition. The use of damaged components may cause an unsafe condition and void product warranty.
- Do not block light emanating from product in whole or part, as this may cause an unsafe condition.
- Never operate the fixture with missing or damaged lens. Lens must be cleaned on regular basis.
- Entire fixture may become extremely hot. Do not touch hot lens or fixture body. Do not touch the lamp at any time. Use a clean, dry, soft cloth to handle the lamp. Oil from skin may damage the lamp and cause it to rupture.
- Replace lamp only with correct wattage and type of lamp marked on fixture label.
- All gaskets, O-rings and sealing surfaces must be kept clean during installation and service; failure to do this may cause an unsafe condition and void product warranty.

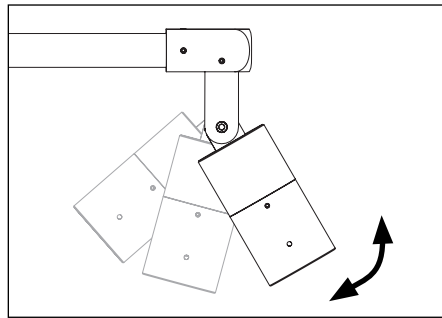
IMPORTANT LISTINGS AND CERTIFICATIONS

- Suitable for wet locations - Additionally suitable for mounting within 4 ft. of the ground

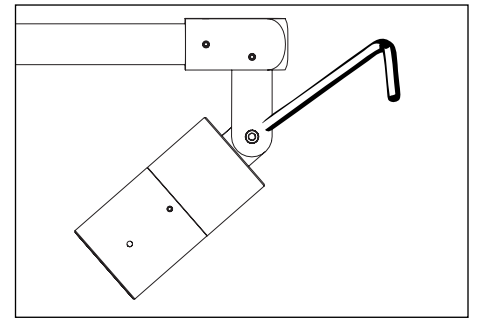
L.O.C.K.™ Knuckle - (Locking 'O' Ring Compression Knuckle)



- Use 5/32" Allen wrench to slightly loosen #10-32 stainless steel set screw on the stem for 180° aiming purpose.

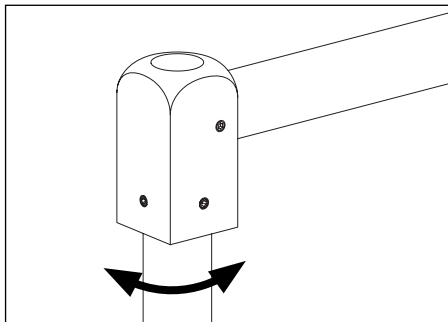


- Aim fixture to desired angle.

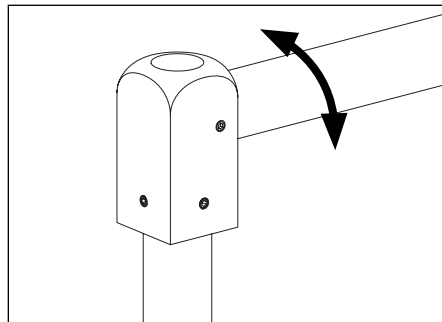


- Tighten #10-32 stainless steel set screw using a 5/32" Allen wrench to secure aiming position.

Warning: Do not over tighten set screw. Doing so will compromise O-ring seal and will void warranty.



- To adjust stem horizontally, loosen two (2) #8-32 screws at base of stem cap using 5/64" Allen wrench. Adjust as needed, then secure.



- To adjust stem, loosen #8-32 screw with 5/64" Allen wrench at stem cap. Adjust as needed, then secure.

IMPORTANT SAFETY INFORMATION - READ, FOLLOW, AND SAVE THESE INSTALLATION INSTRUCTIONS

B-K LIGHTING

40429 Brickyard Drive • Madera, CA 93636 • USA
559.438.5800 • FAX 559.438.5900
www.bklighting.com • info@bklighting.com

RELEASED
8-17-18

REFERENCE NUMBER
INS-2164-00

THIS DOCUMENT CONTAINS PROPRIETARY INFORMATION OF B-K LIGHTING, INC. AND ITS RECEIPT OR POSSESSION DOES NOT CONVEY ANY RIGHTS TO REPRODUCE, DISCLOSE ITS CONTENTS, OR TO MANUFACTURE, USE OR SELL ANYTHING IT MAY DESCRIBE. REPRODUCTION, DISCLOSURE OR USE WITHOUT SPECIFIC WRITTEN AUTHORIZATION OF B-K LIGHTING, INC. IS STRICTLY FORBIDDEN.