

**BKSSL**  
SOLID STATE LIGHTING  
12-27W LED



# DENALI SERIES™ SIGN STAR™ STYLE L

<b>PROJECT:</b>	
<b>TYPE:</b>	
<b>CATALOG NUMBER:</b>	
<b>SOURCE:</b>	
<b>NOTES:</b>	

## CATALOG NUMBER LOGIC

GET A QUOTE >

**Example:** SN - 42 - L - DE - LED - x58 - SP - SAP - 9 - 11 - C - SC

Series SN - Sign Star™  
 Stem Length 42 - 24", 30", 36", 42", or 48"\*  
 (Specify in inches)  
 \* Requires secondary support

Style L - 90° Radius

Fixture DE - Denali Series™

Source LED - 'X' Module with Cold Phosphor Technology

LED Type  
 x58 - 12WLED/2.7K    x61 - 20WLED/2.7K    x64 - 27WLED/2.7K  
 x59 - 12WLED/3K    x62 - 20WLED/3K    x65 - 27WLED/3K  
 x60 - 12WLED/4K    x63 - 20WLED/4K    x66 - 27WLED/4K

Optics  
 SP - Spot (15°)  
 FL - Flood (35°)  
 WFL - Wide Flood (60°)

Finish Standard Finish

Powder Coat Color	Satin	Wrinkle
Bronze	<b>BZP</b>	<b>BZW</b>
Black	<b>BLP</b>	<b>BLW</b>
White (Gloss)	<b>WHP</b>	<b>WHW</b>
Aluminum	<b>SAP</b>	—
Verde	—	<b>VER</b>

Premium Finish

<b>ABP</b> Antique Brass Powder	<b>CMG</b> Cascade Mountain Granite	<b>RMG</b> Rocky Mountain Granite
<b>AMG</b> Aleutian Mountain Granite	<b>CRI</b> Cracked Ice	<b>SDS</b> Sonoran Desert Sandstone
<b>AQW</b> Antique White	<b>CRM</b> Cream	<b>SMG</b> Sierra Mountain Granite
<b>BCM</b> Black Chrome	<b>HUG</b> Hunter Green	<b>TXF</b> Textured Forest
<b>BGE</b> Beige	<b>MDS</b> Mojave Desert Sandstone	<b>WCP</b> Weathered Copper
<b>BPP</b> Brown Patina Powder	<b>NBP</b> Natural Brass Powder	<b>WIR</b> Weathered Iron
<b>CAP</b> Clear Anodized Powder	<b>OCP</b> Old Copper	<i>Also available in RAL Finishes See submittal SUB-1439-00</i>

### Configure Driver Housing Separately Driver Housing Required

#### REMOTE DRIVER HOUSINGS:

- PM2RM** - Universal Power Module 2 Remote
- PM2DRM** - Universal Power Module 2 Dual Remote
- RM** - Remote Wall Mount
- DRM** - Dual Remote Wall Mount

Lens Type 9 - Clear (Standard)    10 - Spread Lens\*    12 - Soft Focus Lens\*    13 - Rectilinear Lens\*

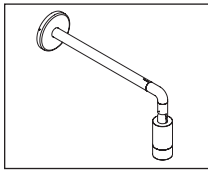
Shielding 11 - Honeycomb Baffle\*

Cap Style A - 45°    B - 90°    C - Flush    D - 45° less Weep Hole (Interior Use Only)    E - 90° less Weep Hole (Interior Use Only)

Options SC - Safety Cable w/ Mounting Canopy (standard with 42" and above)

\*Accommodates up to 2 Lens/Shielding media

<b>B-K LIGHTING</b>	40429 Brickyard Drive • Madera, CA 93636 • USA 559.438.5800 • FAX 559.438.5900 www.bklighting.com • info@bklighting.com	RELEASED 11-7-17	DRAWING NUMBER SUB-2335-00
	<p>THIS DOCUMENT CONTAINS PROPRIETARY INFORMATION OF B-K LIGHTING, INC. AND ITS RECEIPT OR POSSESSION DOES NOT CONVEY ANY RIGHTS TO REPRODUCE, DISCLOSE ITS CONTENTS, OR TO MANUFACTURE, USE OR SELL ANYTHING IT MAY DESCRIBE. REPRODUCTION, DISCLOSURE OR USE WITHOUT SPECIFIC WRITTEN AUTHORIZATION OF B-K LIGHTING, INC. IS STRICTLY FORBIDDEN.</p>		



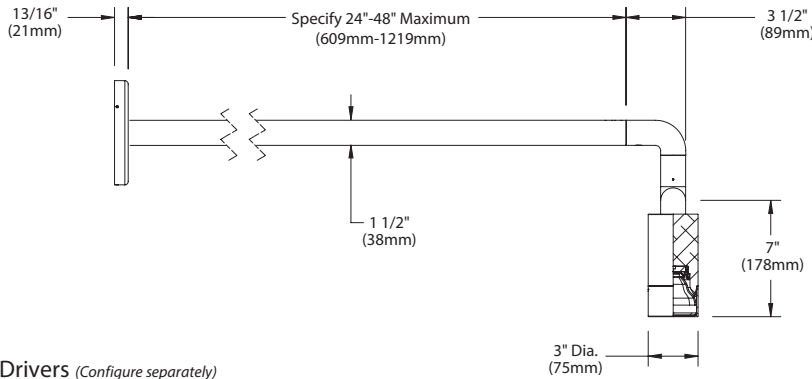
**BKSSL**  
SOLID STATE LIGHTING  
12-27W LED



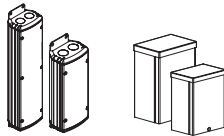
# DENALI SERIES™ SIGN STAR™ STYLE L

PROJECT:	
TYPE:	

## SIDE VIEW

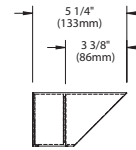


Drivers (Configure separately)

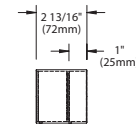


PM2DRM & PM2RM RM & DRM

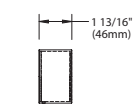
## "A/D" CAP



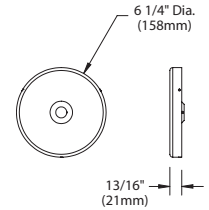
## "B/E" CAP



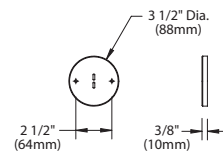
## "C" CAP



## COVER DETAIL



## SAFETY CABLE W/MOUNTING CANOPY



Standard w/ 42" & 48" lengths  
Optional w/ 24", 30" & 36" lengths

All dimensions indicated on this submittal are nominal.  
Contact Technical Sales if you require more stringent specifications.

## SPECIFICATIONS

### GreenSource Initiative™

Metal and packaging components are made from recycled materials. Manufactured using renewable solar energy, produced on-site. Returnable to manufacturer at end of life to ensure cradle-to-cradle handling. Packaging contains no chlorofluorocarbons (CFC's). Use of this product may qualify for GreenSource efficacy and recycling rebate(s). Consult [www.bklighting.com/greensource](http://www.bklighting.com/greensource) for program requirements.

### Materials

Furnished in Copper-Free Aluminum (Type 6061-T6).

### Style

'L' Style provides clean, 90° transition from fixture to stem.

### Body

Fully machined from solid billet. Unibody design provides enclosed, water-proof wireway and integral heat sink for maximum component life. Integral knuckle for maximum mechanical strength. High temperature, silicone 'O' Ring provides water-tight seal.

### Knuckle

Patented 360HD™ Mounting System features a mechanical taper-lock, which allows a full 180° vertical adjustment without the use of serrated teeth, which inherently limit aiming. High temperature, silicone 'O' Ring provides water-tight seal and compressive resistance to maintain fixture position. Design withstands 73 lb. static load prior to movement to ensure decades of optical alignment. 1/2" pipe thread for mounting. Biaxial source control additionally provides 360° horizontal rotation in addition to vertical adjustment. 'Aim-And-Lock' Technology allows precision adjustment without the redundant tightening and loosening of knuckle screw.

### Cap

Fully machined. Accommodates [2] lens or louver media. Choose from 45° cutoff ('A' or 'D'), 1" deep bezel with 90° cutoff ('B' or 'E') or flush lens ('C') cap styles. 'A' and 'B' caps include weep-hole for water and debris drainage. 'D' and 'E' caps exclude weep-hole and are for interior use only.

### Lens

Shock resistant, tempered, glass lens is factory adhered to fixture cap and provides hermetically sealed optical compartment.

### BKSSL™

Integrated solid state system with 'X' technology is scalable for field upgrade. Modular design with electrical quick disconnects permit field maintenance.

LM-80 certified. Minimum 50,000 hour rated life at 70% of initial lumens (L70). BKSSL technology provides long life, significant energy reduction and exceptional thermal management.

### Color Management

Corrected cold phosphor technology delivers near-perfect natural white light. Long term phosphor maintenance over product life. Exact color point conformity exceeds ANSI C78.377 standard. Provides uniform beam with no color variation over angle. Module exceeds 80 CRI (RA>80, R9>16).

### Remote Driver

For use with remote LED driver. See remote driver submittal to determine remote distance and wiring requirements prior to detailing field installation of any remote wiring.

### Optics

Interchangeable OPTIKIT™ modules permit field changes to optical distribution.

### Installation

6 1/4" dia., machined canopy permits mounting to 4" octagonal junction box. Junction box installation must be designed to hold full fulcrum weight of fixture (junction box and gasket by others). Optional safety cable with mounting canopy maintains secondary support (standard with 42" and 48" lengths).

### Wiring

Teflon® coated, 18AWG, 600V, 250°C rated and certified to UL 1659 standard.

### Hardware

Tamper-resistant, stainless steel hardware. LOCK™ aiming screw and canopy mounting screws are additionally black oxide treated for additional corrosion resistance.

### Finish

StarGuard®, our exclusive RoHs compliant, 15 stage chromate-free process cleans and conversion coats aluminum components prior to application of Class 'A' TGIC polyester powder coating.

### Warranty

5 year limited warranty.

### Certification and Listing

UL tested to IESNA LM-79. UL Listed. Certified to CAN/CSA/ANSI Standards. RoHs compliant. Suitable for indoor or outdoor use. Suitable for use in wet locations. Additionally suitable for installation within 4' of the ground. IP66 Rated. Made in USA.



\*Teflon is a registered trademark of DuPont Corporation.

**B-K LIGHTING**

40429 Brickyard Drive • Madera, CA 93636 • USA  
559.438.5800 • FAX 559.438.5900  
[www.bklighting.com](http://www.bklighting.com) • [info@bklighting.com](mailto:info@bklighting.com)

RELEASED  
11-7-17

DRAWING NUMBER  
SUB-2335-00

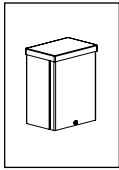
LM79 DATA				L70 DATA	OPTICAL DATA		
BK No.	CCT (Typ.)	CRI (Typ.)	Input Watts (Typ.)	Minimum Rated Life (hrs.) 70% of initial lumens (L70)	Angle	CBCP	Delivered Lumens
x58	2700K	80	12W	50,000	15°	3877	724
	2700K	80	12W	50,000	35°	1498	663
	2700K	80	12W	50,000	60°	629	625
x59	3000K	80	12W	50,000	15°	4059	758
	3000K	80	12W	50,000	35°	1568	694
	3000K	80	12W	50,000	60°	659	655
x60	4000K	80	12W	50,000	15°	4561	851
	4000K	80	12W	50,000	35°	1762	780
	4000K	80	12W	50,000	60°	740	736
x61	2700K	80	20W	50,000	15°	7098	1306
	2700K	80	20W	50,000	35°	2621	1124
	2700K	80	20W	50,000	60°	1048	1063
x62	3000K	80	20W	50,000	15°	7488	1378
	3000K	80	20W	50,000	35°	2765	1186
	3000K	80	20W	50,000	60°	1106	1121
x63	4000K	80	20W	50,000	15°	7800	1435
	4000K	80	20W	50,000	35°	2880	1235
	4000K	80	20W	50,000	60°	1152	1168
x64	2700K	80	27W	50,000	15°	15679	1769
	2700K	80	27W	50,000	35°	4656	1588
	2700K	80	27W	50,000	60°	1517	1386
x65	3000K	80	27W	50,000	15°	16190	1827
	3000K	80	27W	50,000	35°	4808	1640
	3000K	80	27W	50,000	60°	1567	1431
x66	4000K	80	27W	50,000	15°	17042	1923
	4000K	80	27W	50,000	35°	5061	1726
	4000K	80	27W	50,000	60°	1649	1506

### FOR USE WITH

<b>DE</b>	Denali Series™ Floodlight
<b>SM-DE</b>	Denali Series™ Surface Downlight
<b>TF-DE</b>	Denali Series™ Twin Staff Star™
<b>SF-DE</b>	Denali Series™ Staff Star™
<b>UL-DE</b>	Denali Series™ Recessed Uplight
<b>SN-DE</b>	Denali Series™ Sign Star™
<b>ST-DE</b>	Denali Series™ Twin Sign Star™

### OPTICS

Optic	Angle
Spot	15°
Flood	35°
Wide Flood	60°



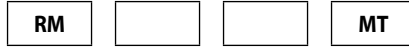
Constant Current Driver



# NEMA 3R Remote Driver Housing

PROJECT:	
TYPE:	
CATALOG NUMBER:	
LAMP(S):	
NOTES:	

## CATALOG NUMBER LOGIC



### Example

RM - D12INC - SAP - MT

Remote Driver Housing

RM - NEMA 3R Remote Driver Housing  
(Specify Fixture Separately)

Driver Type

For use with Incandescent Dimmer. 120V only for Dimming:

- D12INC - 12W Dimming Driver
- D20INC - 20W Dimming Driver
- D27INC - 27W Dimming Driver

Finish

#### Standard Finish

Powder Coat Color	Satin	Wrinkle
Bronze	BZP	BZW
Black	BLP	BLW
White (Gloss)	WHP	WHW
Aluminum	SAP	—
Verde	—	VER

#### Premium Finish

ABP	Antique Brass Powder	CMG	Cascade Mountain Granite	RMG	Rocky Mountain Granite
AMG	Aleutian Mountain Granite	CRI	Cracked Ice	SDS	Sonoran Desert Sandstone
AQW	Antique White	CRM	Cream	SMG	Sierra Mountain Granite
BCM	Black Chrome	HUG	Hunter Green	TXF	Textured Forest
BGE	Beige	MDS	Mojave Desert Sandstone	WCP	Weathered Copper
BPP	Brown Patina Powder	NBP	Natural Brass Powder	WIR	Weathered Iron
CAP	Clear Anodized Powder	OCP	Old Copper	<i>Also available in RAL Finishes See submittal SUB-1439-00</i>	

Input Voltage

MT - 120-277 VAC Input

## ⚠ REMOTE WIRING

### LED Driver

Remote driver installations require inter-connected wiring between the LED and driver (by others). Drivers have specific wiring requirements between these components. Driver manufacturers regularly recommend the following wiring details for such installations:

- Do not exceed 50 foot overall wiring distance using 12 gauge copper wire.

**Failure to comply with specific wiring requirements will void product warranty.**

## DRIVER ELECTRICAL DATA

TYPE	AC INPUT RANGE	FREQUENCY HZ	DIMMING	POWER FACTOR AT FULL LOAD	THD	OPERATING AMBIENT TEMPERATURE	DIMMER TYPE	DIMMER RANGE	IN RUSH CURRENT
D12INC	105-305	50/60	YES	>0.94	≤5%	-30°C to 50°C (-22°F to 122°F)	Incandescent	10-100%	<250mA
D20INC	105-305	50/60	YES	>0.94	≤5%	-30°C to 50°C (-22°F to 122°F)	Incandescent	10-100%	<250mA
D27INC	120-277	50/60	YES	>0.90	<20%	-30°C to 70°C (-22°F to 158°F)	0-10,Incandescent/ELV(120 only)	10-100%	6A

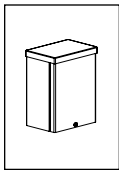
# B-K LIGHTING

40429 Brickyard Drive • Madera, CA 93636 • USA  
559.438.5800 • FAX 559.438.5900  
www.bklighting.com • info@bklighting.com

RELEASED  
03-27-19

DRAWING NUMBER  
SUB-2590-00

THIS DOCUMENT CONTAINS PROPRIETARY INFORMATION OF B-K LIGHTING, INC. AND ITS RECEIPT OR POSSESSION DOES NOT CONVEY ANY RIGHTS TO REPRODUCE, DISCLOSE ITS CONTENTS, OR TO MANUFACTURE, USE OR SELL ANYTHING IT MAY DESCRIBE. REPRODUCTION, DISCLOSURE OR USE WITHOUT SPECIFIC WRITTEN AUTHORIZATION OF B-K LIGHTING, INC. IS STRICTLY FORBIDDEN.



**BKSSL**  
SOLID STATE LIGHTING

Constant Current Driver

THE POWER OF

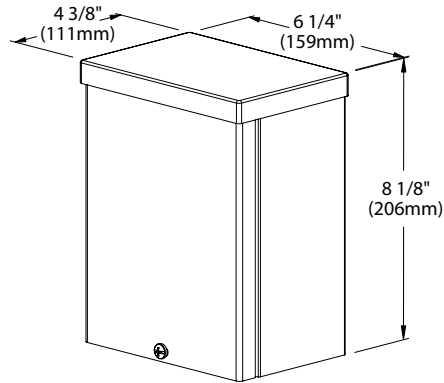


# NEMA 3R Remote Driver Housing

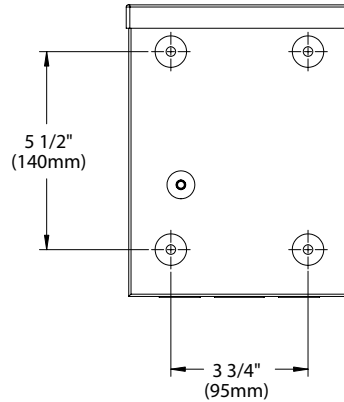
PROJECT:

TYPE:

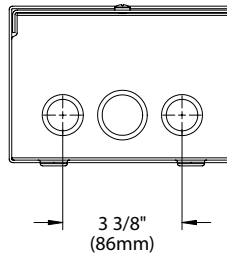
**SIDE VIEW**



**BACK VIEW**



**END VIEW**



## SPECIFICATIONS

### GreenSource Initiative™

Metal and packaging components are made from recycled materials. Manufactured using renewable solar energy, produced on site. Returnable to manufacturer at end of life to ensure cradle-to-cradle handling. Packaging contains no chlorofluorocarbons (CFC's). Use of this product may qualify for GreenSource efficacy and recycling rebate(s). Consult [www.bklighting.com/greensource](http://www.bklighting.com/greensource) for program requirements.

### Installation

Nema 3R, surface mount design. For use with remote fixture (specified separately).

### Housing

Steel construction with screw cover. Front access for ease of installation and inspection. [2] bottom entry, 3/4" conduit knockouts.

### Wiring / Connectors

Teflon® coated wire, 18 gauge, 600V, 250°C rated and certified to UL1659 standard. Pre-wired and labeled terminal strip.

### Driver (12-27W)

For use with 700mA (D12, D20, D27), Class A, constant current drivers. 120-277VAC (nominal) primary input voltage. 50/60Hz. >0.94 Power Factor, 6A in-rush current, 0.25A input current, <20%THD (nominal at 120VAC full load). Output over-voltage, over-current, and short circuit protection with auto recovery. EMC: FCC47CFR Part 15 Class B compliant. Dimming driver for use with standard incandescent dimmers. 10-100% range.

### Finish

StarGuard®, our exclusive RoHs compliant, 15 stage chromate-free process cleans and conversion coats aluminum components prior to application of Class 'A' TGIC polyester powder coating.

### Warranty

5 year limited warranty.

### Listings

NEMA 3R Enclosure. UL Listed. Certified to CAN/CSA/ANSI Standards. RoHs compliant. Made in USA.



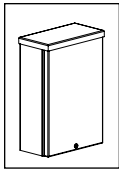
®Teflon is a registered trademark of DuPont Corporation.

**B-K LIGHTING**

40429 Brickyard Drive • Madera, CA 93636 • USA  
559.438.5800 • FAX 559.438.5900  
[www.bklighting.com](http://www.bklighting.com) • [info@bklighting.com](mailto:info@bklighting.com)

RELEASED  
03-27-19

DRAWING NUMBER  
SUB-2590-00



Constant Current Driver



# NEMA 3R Dual Remote Driver Housing

PROJECT:	
TYPE:	
CATALOG NUMBER:	
LAMP(S):	
NOTES:	

## CATALOG NUMBER LOGIC



### Example

DRM - D12INC - SAP - MT

Remote Driver Housing  
**DRM** - NEMA 3R Remote Driver Housing  
*(Specify Fixture Separately)*

Driver Type  
**For use with Incandescent Dimmer. 120V only for Dimming:**  
**D12INC** - (2) 12W Dimming Driver  
**D20INC** - (2) 20W Dimming Driver  
**D27INC** - (2) 27W Dimming Driver

Finish

#### Standard Finish

Powder Coat Color	Satin	Wrinkle
Bronze	<b>BZP</b>	<b>BZW</b>
Black	<b>BLP</b>	<b>BLW</b>
White (Gloss)	<b>WHP</b>	<b>WHW</b>
Aluminum	<b>SAP</b>	—
Verde	—	<b>VER</b>

#### Premium Finish

<b>ABP</b> Antique Brass Powder	<b>CMG</b> Cascade Mountain Granite	<b>RMG</b> Rocky Mountain Granite
<b>AMG</b> Aleutian Mountain Granite	<b>CRI</b> Cracked Ice	<b>SDS</b> Sonoran Desert Sandstone
<b>AQW</b> Antique White	<b>CRM</b> Cream	<b>SMG</b> Sierra Mountain Granite
<b>BCM</b> Black Chrome	<b>HUG</b> Hunter Green	<b>TXF</b> Textured Forest
<b>BGE</b> Beige	<b>MDS</b> Mojave Desert Sandstone	<b>WCP</b> Weathered Copper
<b>BPP</b> Brown Patina Powder	<b>NBP</b> Natural Brass Powder	<b>WIR</b> Weathered Iron
<b>CAP</b> Clear Anodized Powder	<b>OCP</b> Old Copper	<i>Also available in RAL Finishes See submittal SUB-1439-00</i>

Input Voltage  
**MT** - 120-277 VAC Input

## ⚠ REMOTE WIRING

### LED Driver

Remote driver installations require inter-connected wiring between the LED and driver (by others). Drivers have specific wiring requirements between these components. Driver manufacturers regularly recommend the following wiring details for such installations:

- Do not exceed 50 foot overall wiring distance using 12 gauge copper wire.

**Failure to comply with specific wiring requirements will void product warranty.**

## DRIVER ELECTRICAL DATA

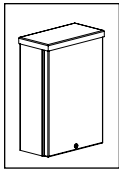
TYPE	AC INPUT RANGE	FREQUENCY HZ	DIMMING	POWER FACTOR AT FULL LOAD	THD	OPERATING AMBIENT TEMPERATURE	DIMMER TYPE	DIMMER RANGE	IN RUSH CURRENT
D12INC	105-305	50/60	YES	>0.94	≤5%	-30°C to 50°C (-22°F to 122°F)	Incandescent	10-100%	<250mA
D20INC	105-305	50/60	YES	>0.94	≤5%	-30°C to 50°C (-22°F to 122°F)	Incandescent	10-100%	<250mA
D27INC	120-277	50/60	YES	>0.90	<20%	-30°C to 70°C (-22°F to 158°F)	0-10,Incandescent/ELV(120 only)	10-100%	6A

# B-K LIGHTING

40429 Brickyard Drive • Madera, CA 93636 • USA  
 559.438.5800 • FAX 559.438.5900  
 www.bklighting.com • info@bklighting.com

RELEASED  
 03-27-19

DRAWING NUMBER  
 SUB-2593-00



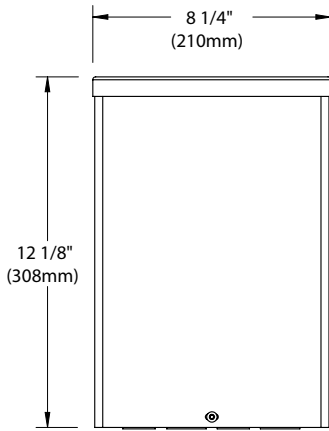
Constant Current Driver



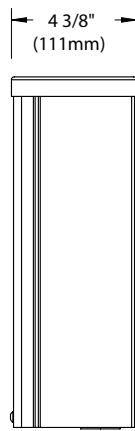
# NEMA 3R Dual Remote Driver Housing

PROJECT:	
TYPE:	

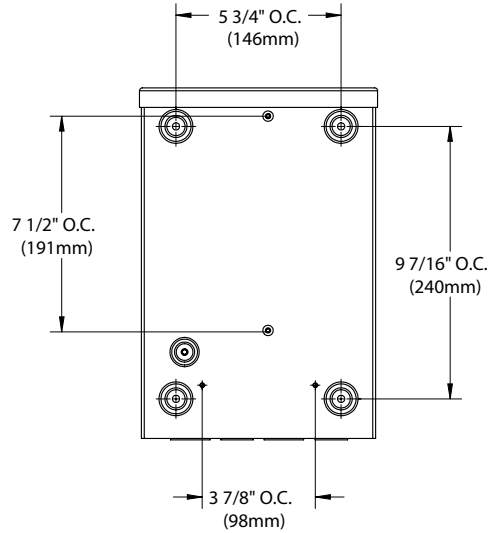
**FRONT VIEW**



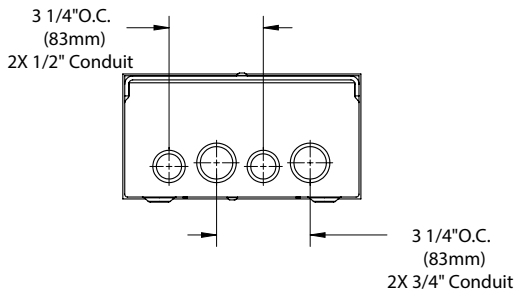
**SIDE VIEW**



**BACK VIEW**



**END VIEW**



## SPECIFICATIONS

### GreenSource Initiative™

Metal and packaging components are made from recycled materials. Manufactured using renewable solar energy, produced on site. Returnable to manufacturer at end of life to ensure cradle-to-cradle handling. Packaging contains no chlorofluorocarbons (CFC's). Use of this product may qualify for GreenSource efficacy and recycling rebate(s). Consult [www.bklighting.com/greensource](http://www.bklighting.com/greensource) for program requirements.

### Installation

Nema 3R, surface mount design. For use with remote fixtures (specified separately).

### Housing

Steel construction with screw cover. Front access for ease of installation and inspection. [2] bottom entry, 3/4" conduit knockouts.

### Wiring / Connectors

Teflon® coated wire, 18 gauge, 600V, 250°C rated and certified to UL1659 standard. Pre-wired and labeled terminal strip.

### Driver (12-27W)

For use with [2] 700mA (D12, D20, D27), Class A, constant current drivers. 120-277VAC (nominal) primary input voltage. 50/60Hz. >0.94 Power Factor, 6A in-rush current, 0.25A input current, <20%THD (nominal at 120VAC full load). Output over-voltage, over-current, and short circuit protection with auto recovery. EMC: FCC47CFR Part 15 Class B compliant. Dimming driver for use with standard incandescent dimmers. Refer to driver electrical data for dimming range.

### Finish

StarGuard®, our exclusive RoHs compliant, 15 stage chromate-free process cleans and conversion coats aluminum components prior to application of Class 'A' TGIC polyester powder coating.

### Warranty

5 year limited warranty.

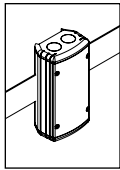
### Listings

NEMA 3R Enclosure. UL Listed. Certified to CAN/CSA/ANSI Standards. RoHs compliant. Made in USA.



®Teflon is a registered trademark of DuPont Corporation.

<b>B-K LIGHTING</b>	40429 Brickyard Drive • Madera, CA 93636 • USA 559.438.5800 • FAX 559.438.5900 <a href="http://www.bklighting.com">www.bklighting.com</a> • <a href="mailto:info@bklighting.com">info@bklighting.com</a>	RELEASED 03-27-19	DRAWING NUMBER SUB-2593-00



UNIVERSAL POWER MODULE  
**UPM**

**BKSSL**  
SOLID STATE LIGHTING

Constant Current Driver



# PM2RM TREE STRAP™

<b>PROJECT:</b>	
<b>TYPE:</b>	
<b>CATALOG NUMBER:</b>	
<b>LAMP(S):</b>	
<b>NOTES:</b>	

## CATALOG NUMBER LOGIC



### Example

Series **PM2RM** - Universal Power Module™ 2 Remote

Mounting **TSC - Length** - Tree Strap™ (Specify Adjustable Strap Length)  
3" Adjustable Strap with Safety Cable - Standard

Driver Type *(Driver Wattage must match Fixture Wattage)*  
**For use with Incandescent Dimmer. 120V only for Dimming:**  
**D12INC** - 12W Dimming Driver  
**D20INC** - 20W Dimming Driver  
**D27INC** - 27W Dimming Driver

Finish

## ⚠ REMOTE WIRING

### LED Driver

Remote driver installations require inter-connected wiring between the LED and driver (by others). Drivers have specific wiring requirements between these components. Driver manufacturers regularly recommend the following wiring details for such installations:

- Do not exceed 50 foot overall wiring distance using 12 gauge copper wire.

**Failure to comply with specific wiring requirements will void product warranty.**

### Standard Finish

Powder Coat Color	Satin	Wrinkle
Bronze	<b>BZP</b>	<b>BZW</b>
Black	<b>BLP</b>	<b>BLW</b>
White (Gloss)	<b>WHP</b>	<b>WHW</b>
Aluminum	<b>SAP</b>	—
Verde	—	<b>VER</b>

### Premium Finish

<b>ABP</b> Antique Brass Powder	<b>CMG</b> Cascade Mountain Granite	<b>RMG</b> Rocky Mountain Granite
<b>AMG</b> Aleutian Mountain Granite	<b>CRI</b> Cracked Ice	<b>SDS</b> Sonoran Desert Sandstone
<b>AQW</b> Antique White	<b>CRM</b> Cream	<b>SMG</b> Sierra Mountain Granite
<b>BCM</b> Black Chrome	<b>HUG</b> Hunter Green	<b>TXF</b> Textured Forest
<b>BGE</b> Beige	<b>MDS</b> Mojave Desert Sandstone	<b>WCP</b> Weathered Copper
<b>BPP</b> Brown Patina Powder	<b>NBP</b> Natural Brass Powder	<b>WIR</b> Weathered Iron
<b>CAP</b> Clear Anodized Powder	<b>OCP</b> Old Copper	<i>Also available in RAL Finishes See submittal SUB-1439-00</i>

Input Voltage **MT** - 120-277 VAC Input

Options **SC** - Safety Cable. For use with Tree Strap™ (TS) mount. Cable length to match strap length.  
**MB** - Mounting Brackets

## DRIVER ELECTRICAL DATA

TYPE	AC INPUT RANGE	FREQUENCY HZ	DIMMING	POWER FACTOR AT FULL LOAD	THD	OPERATING AMBIENT TEMPERATURE	DIMMER TYPE	DIMMER RANGE	IN RUSH CURRENT
D12INC	105-305	50/60	YES	>0.94	≤5%	-30°C to 50°C (-22°F to 122°F)	Incandescent	10-100%	<250mA
D20INC	105-305	50/60	YES	>0.94	≤5%	-30°C to 50°C (-22°F to 122°F)	Incandescent	10-100%	<250mA
D27INC	120-277	50/60	YES	>0.90	<20%	-30°C to 70°C (-22°F to 158°F)	0-10, Incandescent/ELV (120 only)	10-100%	6A

# B-K LIGHTING

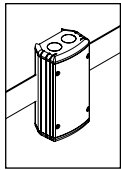
40429 Brickyard Drive • Madera, CA 93636 • USA  
559.438.5800 • FAX 559.438.5900  
www.bklighting.com • info@bklighting.com

SUBMITTAL DATE  
03-27-2019

DRAWING NUMBER  
SUB-2598-00

THIS DOCUMENT CONTAINS PROPRIETARY INFORMATION OF B-K LIGHTING, INC. AND ITS RECEIPT OR POSSESSION DOES NOT CONVEY ANY RIGHTS TO REPRODUCE, DISCLOSE ITS CONTENTS, OR TO MANUFACTURE, USE OR SELL ANYTHING IT MAY DESCRIBE. REPRODUCTION, DISCLOSURE OR USE WITHOUT SPECIFIC WRITTEN AUTHORIZATION OF B-K LIGHTING, INC. IS STRICTLY FORBIDDEN.





UNIVERSAL POWER MODULE  
**UPM**

**BKSSL**  
SOLID STATE LIGHTING

Constant Current Driver

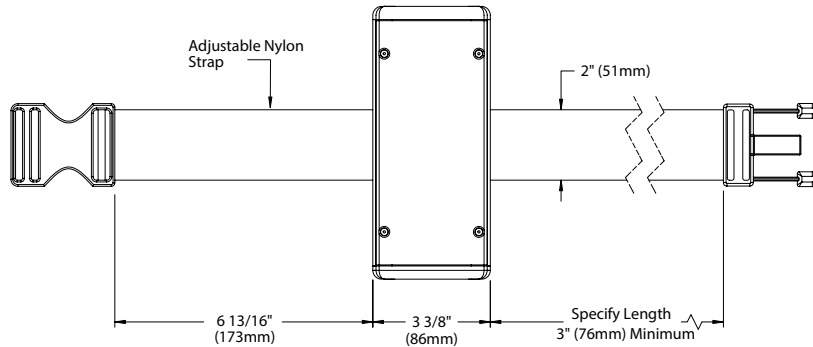


# PM2RM TREE STRAP™

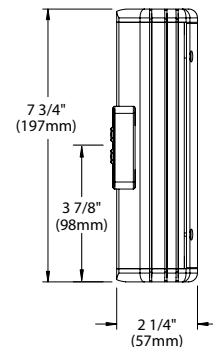
PROJECT: \_\_\_\_\_

TYPE: \_\_\_\_\_

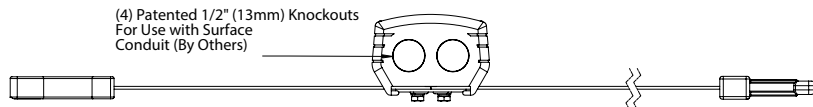
## FRONT VIEW



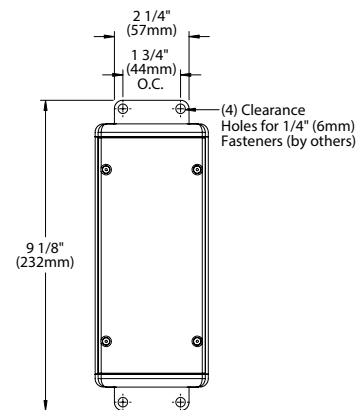
## SIDE VIEW



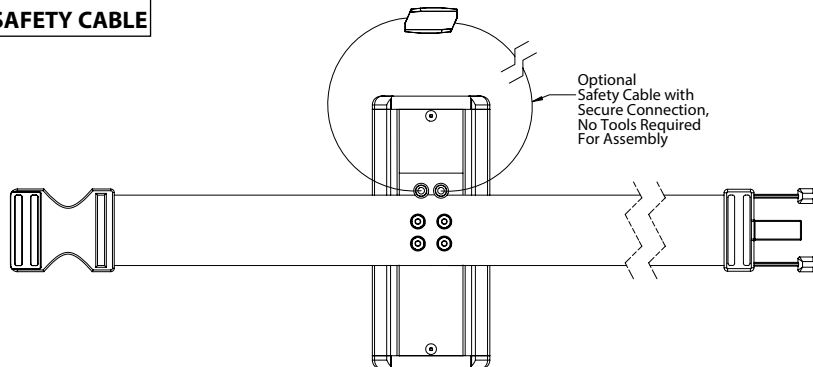
## END VIEW



## OPTIONAL MOUNTING BRACKET



## SAFETY CABLE



## SPECIFICATIONS

### GreenSource Initiative™

Metal and packaging components are made from recycled materials. Manufactured using renewable solar energy, produced on site. Returnable to manufacturer at end of life to ensure cradle-to-cradle handling. Packaging contains no chlorofluorocarbons (CFC's). Use of this product may qualify for GreenSource efficacy and recycling rebate(s). Consult [www.bklighting.com/greensource](http://www.bklighting.com/greensource) for program requirements.

### Tree Installation

Tree Strap™ mounting system facilitates non-invasive installation. Adjustable nylon strap is mold and mildew resistant and will not hinder tree growth. Optional stainless steel safety cable maintains UPM mounting when nylon strap is disengaged.

### Housing

Copper free, aluminum extrusion with die cast end caps. Surface mounted with flow through back channel to prevent water and debris collection. Machined aluminum cover with countersunk holes for flush hardware installation. Tamper-resistant, captive, black oxide stainless steel mounting screws.

Front access for ease of installation and inspection. [2] 1/2" NPT female conduit entries per end cap for through wiring.

### Installation Tether

Stainless steel cable with integral loop allows cover to temporarily suspend from housing during installation to simplify wire connection and component attachment.

### Patented Knockouts

[4] 1/2" NPT, machined aluminum knockouts. High temperature, silicone 'O' Ring for water-tight seal. Patented design allows knockout to be reinserted without compromising seal integrity.

### Driver (12-27W)

For use with 700mA (D12, D20, D27), Class A, constant current drivers. 120-277VAC (nominal) primary input voltage. 50/60Hz. >0.94 Power Factor, 6A in-rush current, 0.25A input current, <20%THD (nominal at 120VAC full load). Output over-voltage, over-current, and short circuit protection with auto recovery. EMC: FCC47CFR Part 15 Class B compliant. Driver wattage must match Fixture wattage.

Dimming driver for use with standard incandescent dimmers. 10-100% range.

### Finish

StarGuard®, our exclusive RoHs compliant, 15 stage chromate-free process cleans and conversion coats aluminum components prior to application of Class 'A' TGIC polyester powder coating.

### Warranty

5 year limited warranty.

### Listings

NEMA 4X / IP-66 Rated Enclosure. UL Listed. Certified to CAN/CSA/ANSI Standards. RoHs compliant. Made in USA.

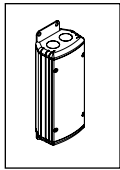


# B-K LIGHTING

40429 Brickyard Drive • Madera, CA 93636 • USA  
559.438.5800 • FAX 559.438.5900  
[www.bklighting.com](http://www.bklighting.com) • [info@bklighting.com](mailto:info@bklighting.com)

SUBMITTAL DATE  
03-27-2019

DRAWING NUMBER  
SUB-2598-00



UNIVERSAL POWER MODULE



BKSSL  
SOLID STATE LIGHTING

Constant Current Driver



# PM2RM SURFACE MOUNT

PROJECT:	
TYPE:	
CATALOG NUMBER:	
LAMP(S):	
NOTES:	

## CATALOG NUMBER LOGIC



### Example

PM2RM - SM - D12INC - BZP - MT

#### Series

PM2RM - Universal Power Module™ 2 Remote

#### Mounting

SM - Surface Mount (requires side conduit entry)

#### Driver Type (Driver Wattage must match Fixture Wattage)

**For use with Incandescent Dimmer. 120V only for Dimming:**

D12INC - 12W Dimming Driver

D20INC - 20W Dimming Driver

D27INC - 27W Dimming Driver

#### Finish

## ⚠ REMOTE WIRING

### LED Driver

Remote driver installations require inter-connected wiring between the LED and driver (by others). Drivers have specific wiring requirements between these components. Driver manufacturers regularly recommend the following wiring details for such installations:

- Do not exceed 50 foot overall wiring distance using 12 gauge copper wire.

**Failure to comply with specific wiring requirements will void product warranty.**

### Standard Finish

Powder Coat Color	Satin	Wrinkle
Bronze	<b>BZP</b>	<b>BZW</b>
Black	<b>BLP</b>	<b>BLW</b>
White (Gloss)	<b>WHP</b>	<b>WHW</b>
Aluminum	<b>SAP</b>	—
Verde	—	<b>VER</b>

### Premium Finish

<b>ABP</b> Antique Brass Powder	<b>CMG</b> Cascade Mountain Granite	<b>RMG</b> Rocky Mountain Granite
<b>AMG</b> Aleutian Mountain Granite	<b>CRI</b> Cracked Ice	<b>SDS</b> Sonoran Desert Sandstone
<b>AQW</b> Antique White	<b>CRM</b> Cream	<b>SMG</b> Sierra Mountain Granite
<b>BCM</b> Black Chrome	<b>HUG</b> Hunter Green	<b>TXF</b> Textured Forest
<b>BGE</b> Beige	<b>MDS</b> Mojave Desert Sandstone	<b>WCP</b> Weathered Copper
<b>BPP</b> Brown Patina Powder	<b>NBP</b> Natural Brass Powder	<b>WIR</b> Weathered Iron
<b>CAP</b> Clear Anodized Powder	<b>OCP</b> Old Copper	<i>Also available in RAL Finishes See submittal SUB-1439-00</i>

#### Input Voltage

MT - 120-277 VAC Input

## DRIVER ELECTRICAL DATA

TYPE	AC INPUT RANGE	FREQUENCY HZ	DIMMING	POWER FACTOR AT FULL LOAD	THD	OPERATING AMBIENT TEMPERATURE	DIMMER TYPE	DIMMER RANGE	IN RUSH CURRENT
D12INC	105-305	50/60	YES	>0.94	≤5%	-30°C to 50°C (-22°F to 122°F)	Incandescent	10-100%	<250mA
D20INC	105-305	50/60	YES	>0.94	≤5%	-30°C to 50°C (-22°F to 122°F)	Incandescent	10-100%	<250mA
D27INC	120-277	50/60	YES	>0.90	<20%	-30°C to 70°C (-22°F to 158°F)	0-10,Incandescent/ELV(120 only)	10-100%	6A

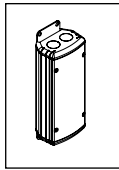
# B-K LIGHTING

40429 Brickyard Drive • Madera, CA 93636 • USA  
559.438.5800 • FAX 559.438.5900  
www.bklighting.com • info@bklighting.com

SUBMITTAL DATE  
03-27-2019

DRAWING NUMBER  
SUB-2600-00

THIS DOCUMENT CONTAINS PROPRIETARY INFORMATION OF B-K LIGHTING, INC. AND ITS RECEIPT OR POSSESSION DOES NOT CONVEY ANY RIGHTS TO REPRODUCE, DISCLOSE ITS CONTENTS, OR TO MANUFACTURE, USE OR SELL ANYTHING IT MAY DESCRIBE. REPRODUCTION, DISCLOSURE OR USE WITHOUT SPECIFIC WRITTEN AUTHORIZATION OF B-K LIGHTING, INC. IS STRICTLY FORBIDDEN.



UNIVERSAL POWER MODULE  
**UPM**

**BKSSL**  
SOLID STATE LIGHTING

Constant Current Driver

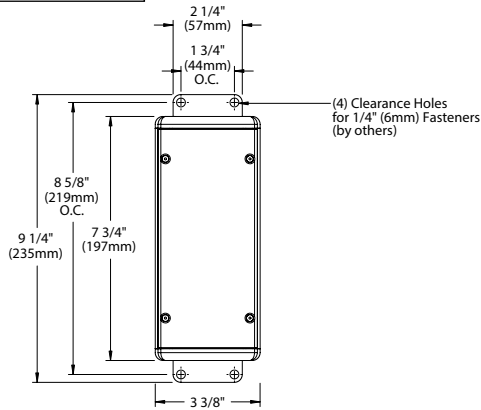


# PM2RM SURFACE MOUNT

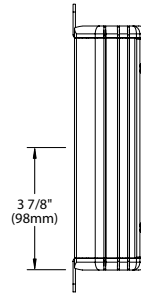
PROJECT:

TYPE:

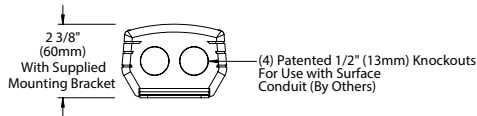
## TOP VIEW



## SIDE VIEW



## END VIEW



## SPECIFICATIONS

### GreenSource Initiative™

Metal and packaging components are made from recycled materials. Manufactured using renewable solar energy, produced on site. Returnable to manufacturer at end of life to ensure cradle-to-cradle handling. Packaging contains no chlorofluorocarbons (CFC's). Use of this product may qualify for GreenSource efficacy and recycling rebate(s). Consult [www.bklighting.com/greensource](http://www.bklighting.com/greensource) for program requirements.

### Surface Mount

For use with side entry, surface conduits. Stainless steel mounting brackets provide for direct anchor to architectural surfaces in any orientation.

### Housing

Copper free, aluminum extrusion with die cast end caps. Surface mounted with flow through back channel to prevent water and debris collection. Machined aluminum cover with countersunk holes for flush hardware installation. Tamper-resistant, captive, black oxide stainless steel mounting screws. Front access for ease of installation and inspection. [2] 1/2" NPT female conduit entries per end cap for through wiring.

### Installation Tether

Stainless steel cable with integral loop allows cover to temporarily suspend from housing during installation to simplify wire connection and component attachment.

### Patented Knockouts

[4] 1/2" NPT, machined aluminum knockouts. High temperature, silicone 'O' Ring for water-tight seal. Patented design allows knockout to be reinserted without compromising seal integrity.

### Driver (12-27W)

For use with 700mA (D12, D20, D27), Class A, constant current drivers. 120-277VAC (nominal) primary input voltage. 50/60Hz. >0.94 Power Factor, 6A in-rush current, 0.25A input current, <20%THD (nominal at 120VAC full load). Output over-voltage, over-current, and short circuit protection with auto recovery. EMC: FCC47CFR Part 15 Class B compliant. Driver wattage must match Fixture wattage.

Dimming driver for use with standard incandescent dimmers. 10-100% range.

### Finish

StarGuard®, our exclusive RoHs compliant, 15 stage chromate-free process cleans and conversion coats aluminum components prior to application of Class 'A' TGIC polyester powder coating.

### Warranty

5 year limited warranty.

### Listings

NEMA 4X / IP-66 Rated Enclosure. UL Listed . Certified to CAN/CSA/ANSI Standards. RoHs compliant. Made in USA.

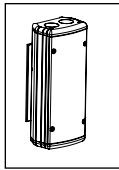


**B-K LIGHTING**

40429 Brickyard Drive • Madera, CA 93636 • USA  
559.438.5800 • FAX 559.438.5900  
[www.bklighting.com](http://www.bklighting.com) • [info@bklighting.com](mailto:info@bklighting.com)

SUBMITTAL DATE  
03-27-2019

DRAWING NUMBER  
SUB-2600-00



UNIVERSAL POWER MODULE  
**UPM**

**BKSSL**  
SOLID STATE LIGHTING

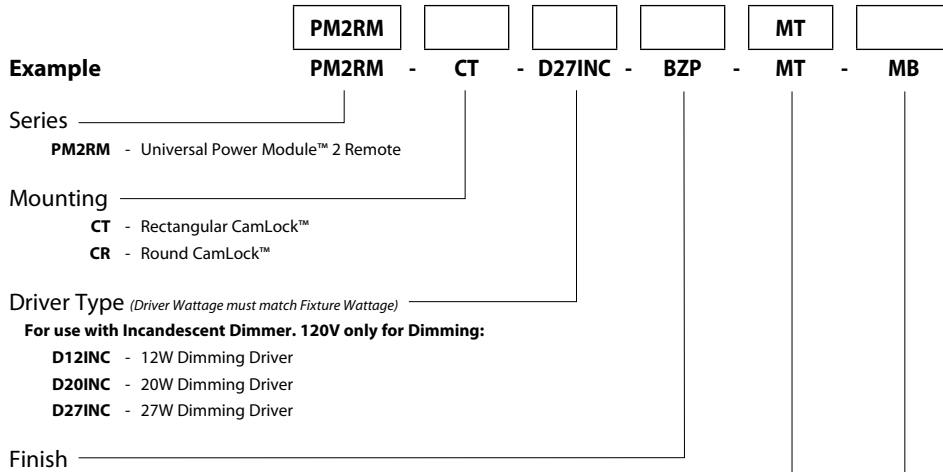
Constant Current Driver



# PM2RM JUNCTION BOX (CAMLOCK™)

PROJECT:	
TYPE:	
CATALOG NUMBER:	
LAMP(S):	
NOTES:	

## CATALOG NUMBER LOGIC



## ⚠ REMOTE WIRING

### LED Driver

Remote driver installations require inter-connected wiring between the LED and driver (by others). Drivers have specific wiring requirements between these components. Driver manufacturers regularly recommend the following wiring details for such installations:

- Do not exceed 50 foot overall wiring distance using 12 gauge copper wire.

**Failure to comply with specific wiring requirements will void product warranty.**

Standard Finish			Premium Finish		
Powder Coat Color	Satin	Wrinkle	ABP	CMG	RMG
Bronze	<b>BZP</b>	<b>BZW</b>	Antique Brass Powder	Cascade Mountain Granite	Rocky Mountain Granite
Black	<b>BLP</b>	<b>BLW</b>	Aleutian Mountain Granite	<b>CRI</b> Cracked Ice	<b>SDS</b> Sonoran Desert Sandstone
White (Gloss)	<b>WHP</b>	<b>WHW</b>	<b>AQW</b> Antique White	<b>CRM</b> Cream	<b>SMG</b> Sierra Mountain Granite
Aluminum	<b>SAP</b>	—	<b>BCM</b> Black Chrome	<b>HUG</b> Hunter Green	<b>TXF</b> Textured Forest
Verde	—	<b>VER</b>	<b>BGE</b> Beige	<b>MDS</b> Mojave Desert Sandstone	<b>WCP</b> Weathered Copper
			<b>BPP</b> Brown Patina Powder	<b>NBP</b> Natural Brass Powder	<b>WIR</b> Weathered Iron
			<b>CAP</b> Clear Anodized Powder	<b>OCP</b> Old Copper	<i>Also available in RAL Finishes See submittal SUB-1439-00</i>

Input Voltage MT - 120-277 VAC Input

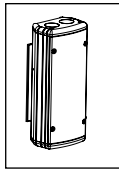
Options MB - Mounting Brackets

## DRIVER ELECTRICAL DATA

TYPE	AC INPUT RANGE	FREQUENCY HZ	DIMMING	POWER FACTOR AT FULL LOAD	THD	OPERATING AMBIENT TEMPERATURE	DIMMER TYPE	DIMMER RANGE	IN RUSH CURRENT
D12INC	105-305	50/60	YES	>0.94	≤5%	-30°C to 50°C (-22°F to 122°F)	Incandescent	10-100%	<250mA
D20INC	105-305	50/60	YES	>0.94	≤5%	-30°C to 50°C (-22°F to 122°F)	Incandescent	10-100%	<250mA
D27INC	120-277	50/60	YES	>0.90	<20%	-30°C to 70°C (-22°F to 158°F)	0-10, Incandescent/ELV(120 only)	10-100%	6A

<b>B-K LIGHTING</b>	40429 Brickyard Drive • Madera, CA 93636 • USA 559.438.5800 • FAX 559.438.5900 www.bklighting.com • info@bklighting.com	SUBMITTAL DATE	DRAWING NUMBER
		03-27-2019	SUB-2602-00

THIS DOCUMENT CONTAINS PROPRIETARY INFORMATION OF B-K LIGHTING, INC. AND ITS RECEIPT OR POSSESSION DOES NOT CONVEY ANY RIGHTS TO REPRODUCE, DISCLOSE ITS CONTENTS, OR TO MANUFACTURE, USE OR SELL ANYTHING IT MAY DESCRIBE. REPRODUCTION, DISCLOSURE OR USE WITHOUT SPECIFIC WRITTEN AUTHORIZATION OF B-K LIGHTING, INC. IS STRICTLY FORBIDDEN.



UNIVERSAL POWER MODULE  
**UPM**

**BKSSSL**  
SOLID STATE LIGHTING

Constant Current Driver

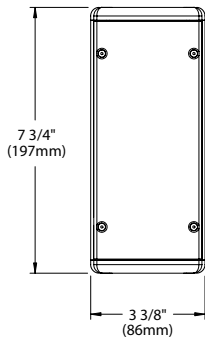


# PM2RM JUNCTION BOX (CAMLOCK™)

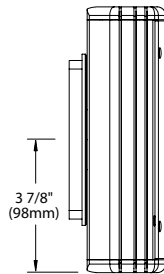
PROJECT:

TYPE:

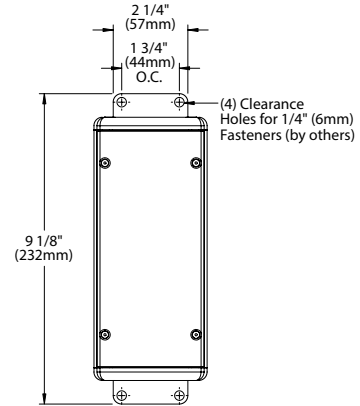
**FRONT VIEW**



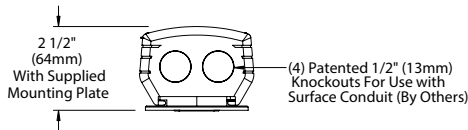
**SIDE VIEW**



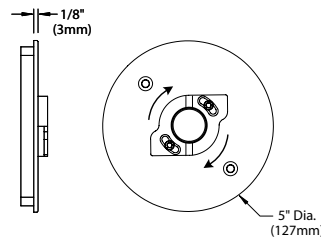
**OPTIONAL MOUNTING BRACKET**



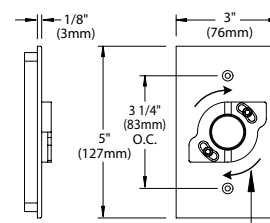
**END VIEW**



**ROUND CAMLOCK™ CANOPY**



**RECTANGULAR CAMLOCK™ CANOPY**



## SPECIFICATIONS

### GreenSource Initiative™

Metal and packaging components are made from recycled materials. Manufactured using renewable solar energy, produced on site. Returnable to manufacturer at end of life to ensure cradle-to-cradle handling. Packaging contains no chlorofluorocarbons (CFC's). Use of this product may qualify for GreenSource efficacy and recycling rebate(s). Consult [www.bklighting.com/greensource](http://www.bklighting.com/greensource) for program requirements.

### Round CamLock™ Canopy (Recessed Junction Box)

5" diameter, machined aluminum construction. Includes stainless steel universal mounting ring for use with 4" octagonal junction box. [2] tamper-resistant, black oxide stainless steel mounting screws. 1/8" thick HT-805A silicone foam gasket for water-tight seal. Integral CamLock™ provides additional 30° adjustment for precision alignment of UPM regardless of junction box orientation. Integral wiper seal maintains water-tight integrity between UPM and junction box. Optional stainless steel mounting brackets may be specified to provide additional anchor to architectural surface.

### Rectangular CamLock™ Canopy (Recessed Junction Box)

Machined aluminum, 3" x 5" rectangular canopy for use with single gang junction box. [2] tamper-resistant, black oxide stainless steel mounting

screws. 1/8" thick HT-805A silicone foam gasket for water-tight seal. Integral CamLock™ provides additional 30° adjustment for precision alignment of UPM regardless of junction box orientation. Integral wiper seal maintains water-tight integrity between UPM and junction box. Optional stainless steel mounting brackets may be specified to provide additional anchor to architectural surface.

### Housing

Copper free, aluminum extrusion with die cast end caps. Surface mounted with flow through back channel to prevent water and debris collection. Machined aluminum cover with countersunk holes for flush hardware installation. Tamper-resistant, captive, black oxide stainless steel mounting screws. Front access for ease of installation and inspection. [2] 1/2" NPT female conduit entries per end cap for through wiring.

### Installation Tether

Stainless steel cable with integral loop allows cover to temporarily suspend from housing during installation to simplify wire connection and component attachment.

### Patented Knockouts

[4] 1/2" NPT, machined aluminum knockouts. High temperature, silicone 'O' Ring for water-tight seal. Patented design allows knockout to be reinserted without compromising seal integrity.

### Driver (12-27W)

For use with 700mA (D12, D20, D27), Class A, constant current drivers. 120-277VAC (nominal) primary input voltage. 50/60Hz. >0.94 Power Factor, 6A in-rush current, 0.25A input current, <20%THD (nominal at 120VAC full load). Output over-voltage, over-current, and short circuit protection with auto recovery. EMC: FCC47CFR Part 15 Class B compliant. Driver wattage must match Fixture wattage.

Dimming driver for use with standard incandescent dimmers. 10-100% range.

### Finish

StarGuard®, our exclusive RoHs compliant, 15 stage chromate-free process cleans and conversion coats aluminum components prior to application of Class 'A' TGIC polyester powder coating.

### Warranty

5 year limited warranty.

### Listings

NEMA 4X / IP-66 Rated Enclosure. UL Listed. Certified to CAN/CSA/ANSI Standards. RoHs compliant. Made in USA.

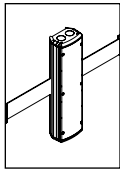


**B-K LIGHTING**

40429 Brickyard Drive • Madera, CA 93636 • USA  
559.438.5800 • FAX 559.438.5900  
[www.bklighting.com](http://www.bklighting.com) • [info@bklighting.com](mailto:info@bklighting.com)

SUBMITTAL DATE  
04-10-2018

DRAWING NUMBER  
SUB-2602-00



UNIVERSAL POWER MODULE  
**UPM**

**BKSSL**  
SOLID STATE LIGHTING

Constant Current Driver



# PM2 DUAL RM TREE STRAP™

PROJECT:	
TYPE:	
CATALOG NUMBER:	
LAMP(S):	
NOTES:	

## CATALOG NUMBER LOGIC

### Example

Series PM2DRM - Universal Power Module™ 2 Dual Remote

Mounting TSC-20 - Tree Strap™ (Specify Adjustable Strap Length)  
3" Adjustable Strap with Safety Cable - Standard

Driver Type D12INC (Driver Wattage must match Fixture Wattage)  
For use with Incandescent Dimmer. 120V only for Dimming:  
**D12INC** - (2) 12W Dimming Driver  
**D20INC** - (2) 20W Dimming Driver  
**D27INC** - (2) 27W Dimming Driver

Finish BZP

## ⚠ REMOTE WIRING

### LED Driver

Remote driver installations require inter-connected wiring between the LED and driver (by others). Drivers have specific wiring requirements between these components. Driver manufacturers regularly recommend the following wiring details for such installations:

- Do not exceed 50 foot overall wiring distance using 12 gauge copper wire.

**Failure to comply with specific wiring requirements will void product warranty.**

### Standard Finish

Powder Coat Color	Satin	Wrinkle
Bronze	<b>BZP</b>	<b>BZW</b>
Black	<b>BLP</b>	<b>BLW</b>
White (Gloss)	<b>WHP</b>	<b>WHW</b>
Aluminum	<b>SAP</b>	—
Verde	—	<b>VER</b>

### Premium Finish

<b>ABP</b> Antique Brass Powder	<b>CMG</b> Cascade Mountain Granite	<b>RMG</b> Rocky Mountain Granite
<b>AMG</b> Aleutian Mountain Granite	<b>CRI</b> Cracked Ice	<b>SDS</b> Sonoran Desert Sandstone
<b>AQW</b> Antique White	<b>CRM</b> Cream	<b>SMG</b> Sierra Mountain Granite
<b>BCM</b> Black Chrome	<b>HUG</b> Hunter Green	<b>TXF</b> Textured Forest
<b>BGE</b> Beige	<b>MDS</b> Mojave Desert Sandstone	<b>WCP</b> Weathered Copper
<b>BPP</b> Brown Patina Powder	<b>NBP</b> Natural Brass Powder	<b>WIR</b> Weathered Iron
<b>CAP</b> Clear Anodized Powder	<b>OCP</b> Old Copper	Also available in RAL Finishes See submittal SUB-1439-00

Input Voltage MT - 120-277 VAC Input

Options SC - Safety Cable. For use with Tree Strap™ (TS) mount. Cable length to match strap length.  
MB - Mounting Brackets

## DRIVER ELECTRICAL DATA

TYPE	AC INPUT RANGE	FREQUENCY HZ	DIMMING	POWER FACTOR AT FULL LOAD	THD	OPERATING AMBIENT TEMPERATURE	DIMMER TYPE	DIMMER RANGE	IN RUSH CURRENT
D12INC	105-305	50/60	YES	>0.94	≤5%	-30°C to 50°C (-22°F to 122°F)	Incandescent	10-100%	<250mA
D20INC	105-305	50/60	YES	>0.94	≤5%	-30°C to 50°C (-22°F to 122°F)	Incandescent	10-100%	<250mA
D27INC	120-277	50/60	YES	>0.90	<20%	-30°C to 70°C (-22°F to 158°F)	0-10, Incandescent/ELV(120 only)	10-100%	6A

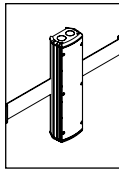
# B-K LIGHTING

40429 Brickyard Drive • Madera, CA 93636 • USA  
559.438.5800 • FAX 559.438.5900  
www.bklighting.com • info@bklighting.com

SUBMITTAL DATE  
03-27-2019

DRAWING NUMBER  
SUB-2604-00

THIS DOCUMENT CONTAINS PROPRIETARY INFORMATION OF B-K LIGHTING, INC. AND ITS RECEIPT OR POSSESSION DOES NOT CONVEY ANY RIGHTS TO REPRODUCE, DISCLOSE ITS CONTENTS, OR TO MANUFACTURE, USE OR SELL ANYTHING IT MAY DESCRIBE. REPRODUCTION, DISCLOSURE OR USE WITHOUT SPECIFIC WRITTEN AUTHORIZATION OF B-K LIGHTING, INC. IS STRICTLY FORBIDDEN.



UNIVERSAL POWER MODULE  
**UPM**

**BKSSL**  
SOLID STATE LIGHTING

Constant Current Driver

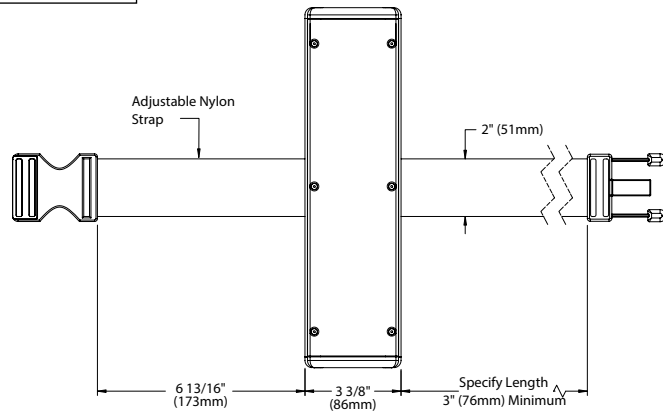


# PM2 DUAL RM TREE STRAP™

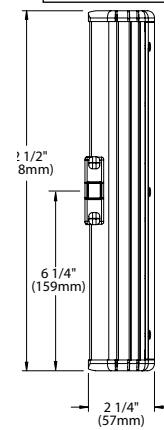
PROJECT:

TYPE:

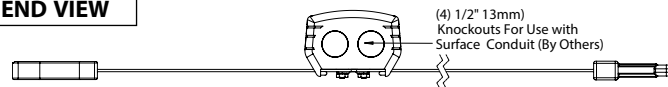
## FRONT VIEW



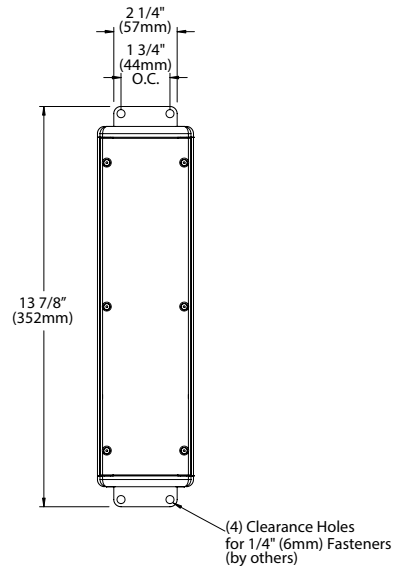
## SIDE VIEW



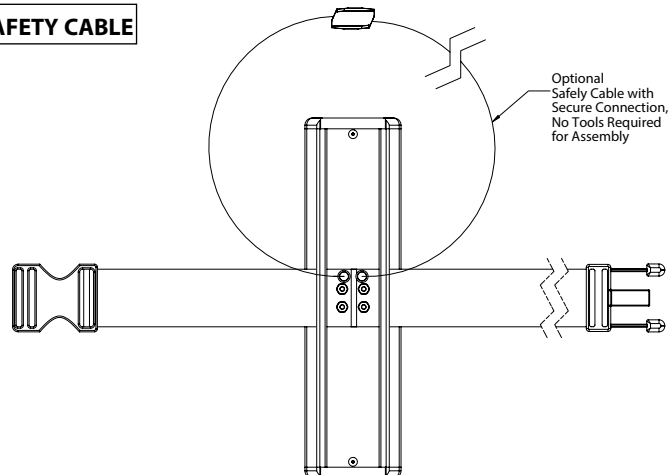
## END VIEW



## OPTIONAL MOUNTING BRACKET



## SAFETY CABLE



## SPECIFICATIONS

### GreenSource Initiative™

Metal and packaging components are made from recycled materials. Manufactured using renewable solar energy, produced on site. Returnable to manufacturer at end of life to ensure cradle-to-cradle handling. Packaging contains no chlorofluorocarbons (CFC's). Use of this product may qualify for GreenSource efficacy and recycling rebate(s). Consult [www.bklighting.com/greensource](http://www.bklighting.com/greensource) for program requirements.

### Tree Installation

Tree Strap™ mounting system facilitates non-invasive installation. Adjustable nylon strap is mold and mildew resistant and will not hinder tree growth. Optional stainless steel safety cable maintains UPM mounting when nylon strap is disengaged.

### Housing

Copper free, aluminum extrusion with die cast end caps. Surface mounted with flow through back channel to prevent water and debris collection. Machined aluminum cover with countersunk holes for flush hardware installation. Tamper-resistant, captive, black oxide stainless steel mounting screws.

Front access for ease of installation and inspection. [2] 1/2" NPT female conduit entries per end cap for through wiring.

### Installation Tether

Stainless steel cable with integral loop allows cover to temporarily suspend from housing during installation to simplify wire connection and component attachment.

### Patented Knockouts

[4] 1/2" NPT, machined aluminum knockouts. High temperature, silicone 'O' Ring for water-tight seal. Patented design allows knockout to be reinserted without compromising seal integrity.

### Driver (12-27W)

For use with [2] 700mA (D12, D20, D27), Class A, constant current drivers. 120-277VAC (nominal) primary input voltage. 50/60Hz. >0.94 Power Factor, 6A in-rush current, 0.25A input current, <20%THD (nominal at 120VAC full load). Output over-voltage, over-current, and short circuit protection with auto recovery. EMC: FCC47CFR Part 15 Class B compliant. Driver wattage must match fixture wattage.

Dimming driver for use with standard incandescent dimmers. 10-100% range.

### Finish

StarGuard®, our exclusive RoHs compliant, 15 stage chromate-free process cleans and conversion coats aluminum components prior to application of Class 'A' TGIC polyester powder coating.

### Warranty

5 year limited warranty.

### Listings

NEMA 4X / IP-66 Rated Enclosure. UL Listed. Certified to CAN/CSA/ANSI Standards. RoHs compliant. Made in USA.

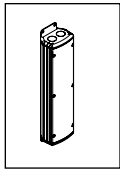


# B-K LIGHTING

40429 Brickyard Drive • Madera, CA 93636 • USA  
559.438.5800 • FAX 559.438.5900  
[www.bklighting.com](http://www.bklighting.com) • [info@bklighting.com](mailto:info@bklighting.com)

SUBMITTAL DATE  
03-27-2019

DRAWING NUMBER  
SUB-2604-00



UNIVERSAL POWER MODULE  
**UPM**

**BKSSL**  
SOLID STATE LIGHTING

Constant Current Driver



# PM2 DUAL RM SURFACE MOUNT

PROJECT:	
TYPE:	
CATALOG NUMBER:	
LAMP(S):	
NOTES:	

## CATALOG NUMBER LOGIC

**PM2DRM**   **SM**         **MT**

### Example

**PM2DRM - SM - D27INC - BZP - MT**

### Series

**PM2DRM** - Universal Power Module™ 2 Dual Remote

### Mounting

**SM** - Surface Mount (requires side conduit entry)

### Driver Type

*(Driver Wattage must match Fixture Wattage)*

**For use with Incandescent Dimmer. 120V only for Dimming:**

**D12INC** - (2) 12W Dimming Driver

**D20INC** - (2) 20W Dimming Driver

**D27INC** - (2) 27W Dimming Driver

### Finish

#### Standard Finish

Powder Coat Color	Satin	Wrinkle
Bronze	<b>BZP</b>	<b>BZW</b>
Black	<b>BLP</b>	<b>BLW</b>
White (Gloss)	<b>WHP</b>	<b>WHW</b>
Aluminum	<b>SAP</b>	—
Verde	—	<b>VER</b>

#### Premium Finish

<b>ABP</b> Antique Brass Powder	<b>CMG</b> Cascade Mountain Granite	<b>RMG</b> Rocky Mountain Granite
<b>AMG</b> Aleutian Mountain Granite	<b>CRI</b> Cracked Ice	<b>SDS</b> Sonoran Desert Sandstone
<b>AQW</b> Antique White	<b>CRM</b> Cream	<b>SMG</b> Sierra Mountain Granite
<b>BCM</b> Black Chrome	<b>HUG</b> Hunter Green	<b>TXF</b> Textured Forest
<b>BGE</b> Beige	<b>MDS</b> Mojave Desert Sandstone	<b>WCP</b> Weathered Copper
<b>BPP</b> Brown Patina Powder	<b>NBP</b> Natural Brass Powder	<b>WIR</b> Weathered Iron
<b>CAP</b> Clear Anodized Powder	<b>OCP</b> Old Copper	<i>Also available in RAL Finishes See submittal SUB-1439-00</i>

### Input Voltage

**MT** - 120-277 VAC Input

## ⚠ REMOTE WIRING

### LED Driver

Remote driver installations require inter-connected wiring between the LED and driver (by others). Drivers have specific wiring requirements between these components. Driver manufacturers regularly recommend the following wiring details for such installations:

- Do not exceed 50 foot overall wiring distance using 12 gauge copper wire.

**Failure to comply with specific wiring requirements will void product warranty.**

## DRIVER ELECTRICAL DATA

TYPE	AC INPUT RANGE	FREQUENCY HZ	DIMMING	POWER FACTOR AT FULL LOAD	THD	OPERATING AMBIENT TEMPERATURE	DIMMER TYPE	DIMMER RANGE	IN RUSH CURRENT
D12INC	105-305	50/60	YES	>0.94	≤5%	-30°C to 50°C (-22°F to 122°F)	Incandescent	10-100%	<250mA
D20INC	105-305	50/60	YES	>0.94	≤5%	-30°C to 50°C (-22°F to 122°F)	Incandescent	10-100%	<250mA
D27INC	120-277	50/60	YES	>0.90	<20%	-30°C to 70°C (-22°F to 158°F)	0-10,Incandescent/ELV(120 only)	10-100%	6A

# B-K LIGHTING

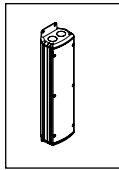
40429 Brickyard Drive • Madera, CA 93636 • USA  
559.438.5800 • FAX 559.438.5900  
www.bklighting.com • info@bklighting.com

SUBMITTAL DATE  
03-27-2019

DRAWING NUMBER  
SUB-2606-00

THIS DOCUMENT CONTAINS PROPRIETARY INFORMATION OF B-K LIGHTING, INC. AND ITS RECEIPT OR POSSESSION DOES NOT CONVEY ANY RIGHTS TO REPRODUCE, DISCLOSE ITS CONTENTS, OR TO MANUFACTURE, USE OR SELL ANYTHING IT MAY DESCRIBE. REPRODUCTION, DISCLOSURE OR USE WITHOUT SPECIFIC WRITTEN AUTHORIZATION OF B-K LIGHTING, INC. IS STRICTLY FORBIDDEN.





UNIVERSAL POWER MODULE  
**UPM**

**BKSSL**  
SOLID STATE LIGHTING

Constant Current Driver

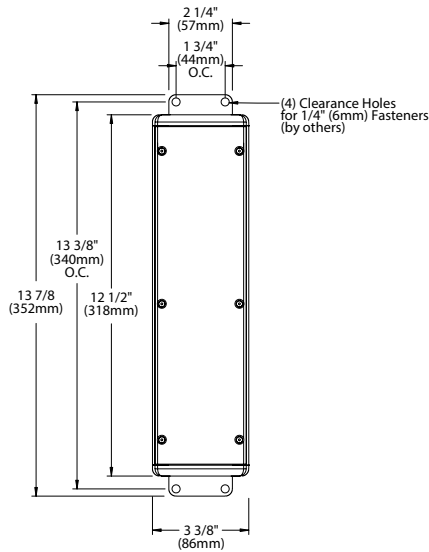


# PM2 DUAL RM SURFACE MOUNT

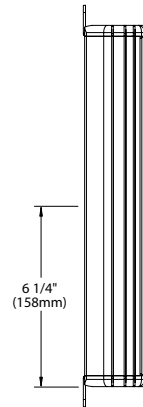
PROJECT:

TYPE:

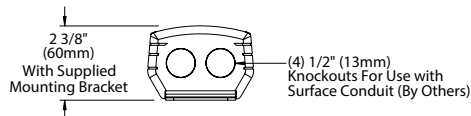
TOP VIEW



SIDE VIEW



END VIEW



## SPECIFICATIONS

### GreenSource Initiative™

Metal and packaging components are made from recycled materials. Manufactured using renewable solar energy, produced on site. Returnable to manufacturer at end of life to ensure cradle-to-cradle handling. Packaging contains no chlorofluorocarbons (CFC's). Use of this product may qualify for GreenSource efficacy and recycling rebate(s). Consult [www.bklighting.com/greensource](http://www.bklighting.com/greensource) for program requirements.

### Surface Mount

For use with side entry, surface conduits. Stainless steel mounting brackets provide for direct anchor to architectural surfaces in any orientation.

### Housing

Copper free, aluminum extrusion with die cast end caps. Surface mounted with flow through back channel to prevent water and debris collection. Machined aluminum cover with countersunk holes for flush hardware installation. Tamper-resistant, captive, black oxide stainless steel mounting screws. Front access for ease of installation and inspection. [2] 1/2" NPT female conduit entries per end cap for through wiring.

### Installation Tether

Stainless steel cable with integral loop allows cover to temporarily suspend from housing during installation to simplify wire connection and component attachment.

### Patented Knockouts

[4] 1/2" NPT, machined aluminum knockouts. High temperature, silicone 'O' Ring for water-tight seal. Patented design allows knockout to be reinserted without compromising seal integrity.

### Driver (12-27W)

For use with [2] 700mA (D12, D20, D27), Class A, constant current drivers. 120-277VAC (nominal) primary input voltage. 50/60Hz. >0.94 Power Factor, 6A in-rush current, 0.25A input current, <20%THD (nominal at 120VAC full load). Output over-voltage, over-current, and short circuit protection with auto recovery. EMC: FCC47CFR Part 15 Class B compliant. Driver wattage must match Fixture wattage.

Dimming driver for use with standard incandescent dimmers. 10-100% range.

### Finish

StarGuard®, our exclusive RoHS compliant, 15 stage chromate-free process cleans and conversion coats aluminum components prior to application of Class 'A' TGIC polyester powder coating.

### Warranty

5 year limited warranty.

### Listings

NEMA 4X / IP-66 Rated Enclosure. UL Listed. Certified to CAN/CSA/ANSI Standards. RoHS compliant. Made in USA.

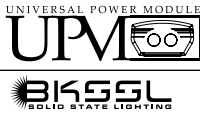
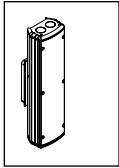


**B-K LIGHTING**

40429 Brickyard Drive • Madera, CA 93636 • USA  
559.438.5800 • FAX 559.438.5900  
[www.bklighting.com](http://www.bklighting.com) • [info@bklighting.com](mailto:info@bklighting.com)

SUBMITTAL DATE  
03-27-2019

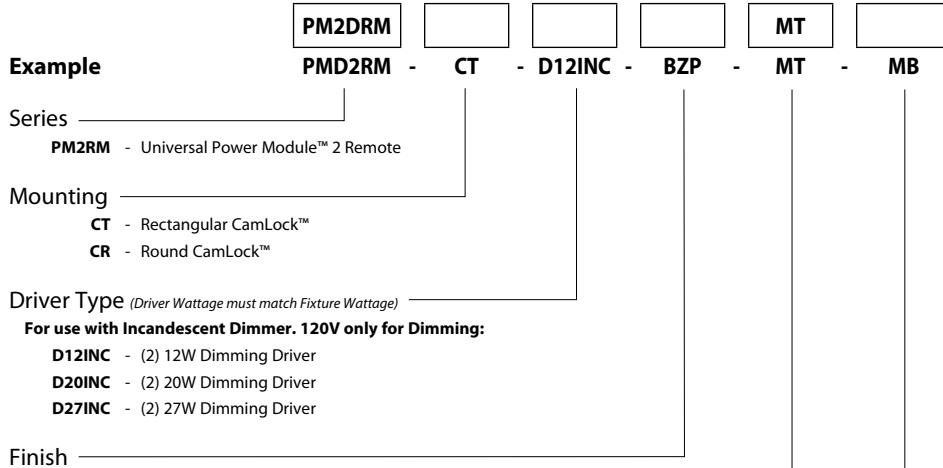
DRAWING NUMBER  
SUB-2606-00



# PM2 DUAL RM JUNCTION BOX (CAMLOCK™)

PROJECT:	
TYPE:	
CATALOG NUMBER:	
LAMP(S):	
NOTES:	

## CATALOG NUMBER LOGIC



## ⚠ REMOTE WIRING

### LED Driver

Remote driver installations require inter-connected wiring between the LED and driver (by others). Drivers have specific wiring requirements between these components. Driver manufacturers regularly recommend the following wiring details for such installations:

- Do not exceed 50 foot overall wiring distance using 12 gauge copper wire.

**Failure to comply with specific wiring requirements will void product warranty.**

Standard Finish			Premium Finish		
Powder Coat Color	Satin	Wrinkle	ABP	CMG	RMG
Bronze	<b>BZP</b>	<b>BZW</b>	Antique Brass Powder	Cascade Mountain Granite	Rocky Mountain Granite
Black	<b>BLP</b>	<b>BLW</b>	Aleutian Mountain Granite	<b>CRI</b> Cracked Ice	<b>SDS</b> Sonoran Desert Sandstone
White (Gloss)	<b>WHP</b>	<b>WHW</b>	<b>AQW</b> Antique White	<b>CRM</b> Cream	<b>SMG</b> Sierra Mountain Granite
Aluminum	<b>SAP</b>	—	<b>BCM</b> Black Chrome	<b>HUG</b> Hunter Green	<b>TXF</b> Textured Forest
Verde	—	<b>VER</b>	<b>BGE</b> Beige	<b>MDS</b> Mojave Desert Sandstone	<b>WCP</b> Weathered Copper
			<b>BPP</b> Brown Patina Powder	<b>NBP</b> Natural Brass Powder	<b>WIR</b> Weathered Iron
			<b>CAP</b> Clear Anodized Powder	<b>OCP</b> Old Copper	<i>Also available in RAL Finishes See submittal SUB-1439-00</i>

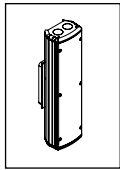
Input Voltage MT - 120-277 VAC Input

Options MB - Mounting Brackets

## DRIVER ELECTRICAL DATA

TYPE	AC INPUT RANGE	FREQUENCY HZ	DIMMING	POWER FACTOR AT FULL LOAD	THD	OPERATING AMBIENT TEMPERATURE	DIMMER TYPE	DIMMER RANGE	IN RUSH CURRENT
D12INC	105-305	50/60	YES	>0.94	≤5%	-30°C to 50°C (-22°F to 122°F)	Incandescent	10-100%	<250mA
D20INC	105-305	50/60	YES	>0.94	≤5%	-30°C to 50°C (-22°F to 122°F)	Incandescent	10-100%	<250mA
D27INC	120-277	50/60	YES	>0.90	<20%	-30°C to 70°C (-22°F to 158°F)	0-10, Incandescent/ELV (120 only)	10-100%	6A

<h1>B-K LIGHTING</h1>	40429 Brickyard Drive • Madera, CA 93636 • USA 559.438.5800 • FAX 559.438.5900 www.bklighting.com • info@bklighting.com	SUBMITTAL DATE 03-27-2019	DRAWING NUMBER SUB-2608-00
	<small>THIS DOCUMENT CONTAINS PROPRIETARY INFORMATION OF B-K LIGHTING, INC. AND ITS RECEIPT OR POSSESSION DOES NOT CONVEY ANY RIGHTS TO REPRODUCE, DISCLOSE ITS CONTENTS, OR TO MANUFACTURE, USE OR SELL ANYTHING IT MAY DESCRIBE. REPRODUCTION, DISCLOSURE OR USE WITHOUT SPECIFIC WRITTEN AUTHORIZATION OF B-K LIGHTING, INC. IS STRICTLY FORBIDDEN.</small>		



UNIVERSAL POWER MODULE  
**UPM**

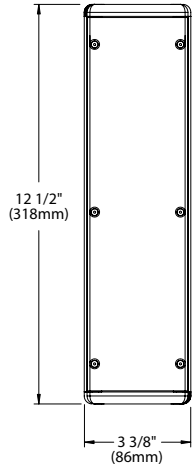
**BKSSL**  
SOLID STATE LIGHTING

Constant Current Driver

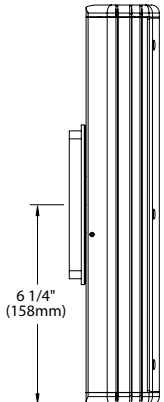
# PM2 DUAL RM JUNCTION BOX (CAMLOCK™)

PROJECT:	
TYPE:	

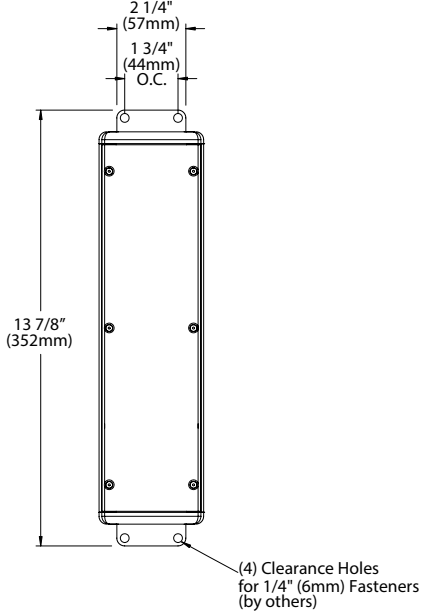
**TOP VIEW**



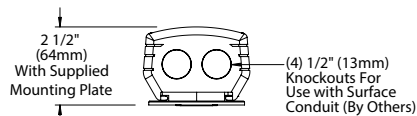
**SIDE VIEW**



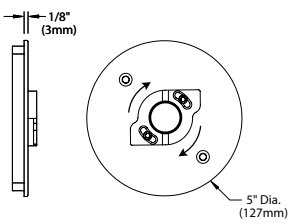
**OPTIONAL MOUNTING BRACKET**



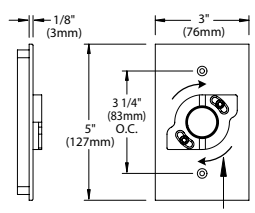
**END VIEW**



**ROUND CAMLOCK™ CANOPY**



**RECTANGULAR CAMLOCK™ CANOPY**



## SPECIFICATIONS

**GreenSource Initiative™**  
Metal and packaging components are made from recycled materials. Manufactured using renewable solar energy, produced on site. Returnable to manufacturer at end of life to ensure cradle-to-cradle handling. Packaging contains no chlorofluorocarbons (CFC's). Use of this product may qualify for GreenSource efficacy and recycling rebate(s). Consult [www.bklighting.com/greensource](http://www.bklighting.com/greensource) for program requirements.

**Round CamLock™ Canopy (Recessed Junction Box)**  
5" diameter, machined aluminum construction. Includes stainless steel universal mounting ring for use with 4" octagonal junction box. [2] tamper-resistant, black oxide stainless steel mounting screws. 1/8" thick HT-805A silicone foam gasket for water-tight seal. Integral CamLock™ provides additional 30° adjustment for precision alignment of UPM regardless of junction box orientation. Integral wiper seal maintains water-tight integrity between UPM and junction box. Optional stainless steel mounting brackets may be specified to provide additional anchor to architectural surface.

**Rectangular CamLock™ Canopy (Recessed Junction Box)**  
Machined aluminum, 3" x 5" rectangular canopy for use with single gang junction box. [2] tamper resistant, black oxide stainless steel mounting screws. 1/8" thick HT-805A silicone foam gasket for water-tight seal. Integral

CamLock™ provides additional 30° adjustment for precision alignment of UPM regardless of junction box orientation. Integral wiper seal maintains water-tight integrity between UPM and junction box. Optional stainless steel mounting brackets may be specified to provide additional anchor to architectural surface.

**Housing**  
Copper free, aluminum extrusion with die cast end caps. Surface mounted with flow through back channel to prevent water and debris collection. Machined aluminum cover with countersunk holes for flush hardware installation. Tamper-resistant, captive, black oxide stainless steel mounting screws. Front access for ease of installation and inspection. [2] 1/2" NPT female conduit entries per end cap for through wiring.

**Installation Tether**  
Stainless steel cable with integral loop allows cover to temporarily suspend from housing during installation to simplify wire connection and component attachment.

**Patented Knockouts**  
[4] 1/2" NPT, machined aluminum knockouts. High temperature, silicone 'O' Ring for water-tight seal. Patented design allows knockout to be reinserted without compromising seal integrity.

**Driver (12-27W)**  
For use with [2] 700mA (D12, D20, D27), Class A, constant current drivers. 120-277VAC (nominal) primary input voltage. 50/60Hz. >0.94 Power Factor, 6A in-rush current, 0.25A input current, <20%THD (nominal at 120VAC full load). Output over-voltage, over-current, and short circuit protection with auto recovery. EMC: FCC47CFR Part 15 Class B compliant. Driver wattage must match Fixture wattage.

Dimming driver for use with standard incandescent dimmers. 10-100% range.

**Finish**  
StarGuard®, our exclusive RoHs compliant, 15 stage chromate-free process cleans and conversion coats aluminum components prior to application of Class 'A' TGIC polyester powder coating.

**Warranty**  
5 year limited warranty.

**Listings**  
NEMA 4X / IP-66 Rated Enclosure. ETL Listed to ANSI/UL Standard 50/50E and Certified to CAN/CSA Standard C22.2 No. 94.1/94.2. RoHs compliant. Made in USA.



<b>B-K LIGHTING</b>	40429 Brickyard Drive • Madera, CA 93636 • USA 559.438.5800 • FAX 559.438.5900 <a href="http://www.bklighting.com">www.bklighting.com</a> • <a href="mailto:info@bklighting.com">info@bklighting.com</a>	SUBMITTAL DATE	DRAWING NUMBER
		03-27-2019	SUB-2608-00

UPM's Patented knockouts are covered by U.S. Patent No. 6,940,012 B2