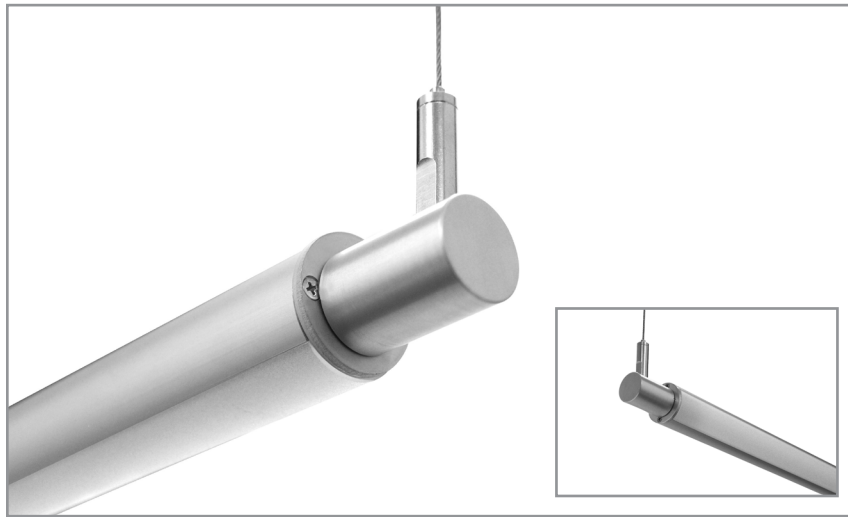


# BSS502 | TUBULAR GENERAL INFORMATION

1-3/8" O.D. cylindrical, cable mounted LED luminaire, for remote driver operation

Project: \_\_\_\_\_ Type: \_\_\_\_\_



## FEATURES

Part of the Tubular series of LED luminaires, the BSS502 is a remote driven, suspended linear LED luminaire for general lighting applications. Fitted to machined aluminum cable couplers, the Ø1-3/8" extruded aluminum fixture housing rotates 341° allowing the fixture to act as an up light, down light or wall washer.

## SPECIFICATIONS

Fixture constructed of an extruded aluminum housing, frosted acrylic extruded lens, sheet aluminum end caps and machined aluminum couplers

Standard finishes as shown below

Available in nominal cable centers of 2'-8" for single fixtures and continuous runs

Fixture housing rotates 341° on end cap mounted couplers

Included standard remote 120-277V driver offered with 0-10V dimming or non-dim (other dimming driver options available)

Remote mounted emergency battery backup available (ordered separately, consult factory for details)

Standard outputs are 400 and 525 lumens per foot

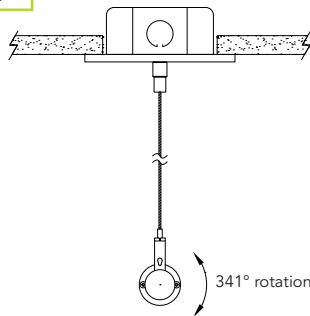
LEDs available in 2700K, 3000K, 3500K, and 4000K, within a 3 step MacAdam ellipse, all with 90+ CRI typical

Life: 50,000 hours L<sub>70</sub>

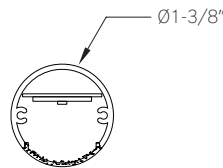
Limited five year warranty

UL and C-UL listed for dry and damp locations

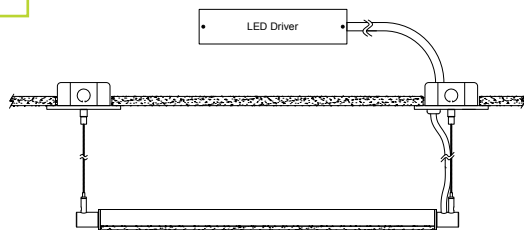
## PROFILE



## SECTION



## SIDE



## PERFORMANCE

\*Note: All data reflects fixtures with 3500K LEDs

NOMINAL LENGTH	OUTPUT	LUMENS/ft.	WATTS/ft.	LUMINAIRE LUMENS	EFFICACY (LPW)
4'	L: low	400	4.6	1525	88
	R: regular	525	6.5	1980	80

## BSS502 -

### NOMINAL CABLE CENTER DISTANCE\*

25: 25-1/4"  
29: 28-15/16"  
33: 32-9/16"  
36: 36-1/4"  
40: 39-15/16"  
44: 43-9/16"  
47: 47-1/4"  
51: 50-15/16"  
55: 54-9/16"  
58: 58-1/4"  
62: 61-15/16"  
66: 65-9/16"  
69: 69-1/4"

### CORRELATED COLOR TEMPERATURE

27: 2700K-90+ CRI  
30: 3000K-90+ CRI  
35: 3500K-90+ CRI  
40: 4000K-90+ CRI

73: 72-15/16"  
77: 76-9/16"  
80: 80-1/4"  
84: 83-15/16"  
88: 87-9/16"  
91: 91-1/4"  
95: 94-15/16"

### DRIVER

ND: non-dimming  
[Dimming]  
D: 0-10V, 1%  
HES: Lutron EcoSystem, soft-on/fade-to-black, 1%  
H2: Lutron Hi-lume 2-wire forward phase, 1%, (120V ONLY)  
E5: Lutron EcoSystem 5-Series, 5%  
EL: eldoLED ECOdrive, 0-10V, 1%

### LIGHT OUTPUT (lumens per foot)

L: low - 400  
R: regular - 525  
CF: consult factory for custom output

### RUN CONFIGURATION

SN: single  
ST: starter  
AD: adder  
TR: terminator

### MOUNT

C4: 4' cable length  
C8: 8' cable length  
CF: consult factory for custom mounting

### FINISH

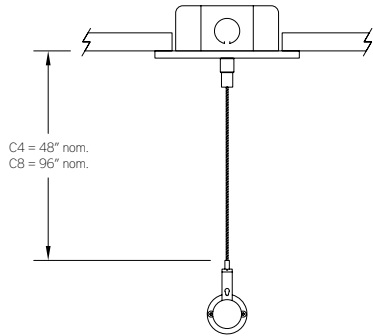
AW: architectural white (semi-matte)  
WH: white (semi-gloss)  
BL: black (semi-matte)  
MB: matte black  
ESS: environmental satin silver  
BZ: bronze  
PR: primer  
CF: consult factory for custom finish  
SA: satin anodize (may require additional lead time)

Note: Each fixture includes a remote driver matched for fixture length and light output.  
\*Actual dimension dependent on run configuration

## MOUNTING

### ORDERING CODE

### DESCRIPTION



C4 and C8

### CABLE MOUNT

Mounting option includes:

- Ø 1/16" x 48" (C4) or 96" (C8) aircraft cables
- 60" (C4) or 108" (C8) power cable (in coordinating finish)
- Bracket bars
- Ø 5" white canopies
- Ceiling couplers
- Side exit cable grippers