

The Reflex® Series provides the designer with unmatched versatility. Designed for installation in ceilings or walls, this fixture provides substantial indirect lighting, as well as superb wall wash capability. Reflex® can also be installed at aisle level for illumination of corridors and hallways.

The clean lines of the Reflex® design are complimented by a variety of architectural grade trims and tempered glass lenses. One piece seamless reflectors are available in a stylish array of architectural finishes. Engineered to fit neatly between the studs of new construction or renovations, the simplicity and elegance of our Reflex® design make this fixture an ideal choice for retail, hospitality or corporate applications.

**S u b t l e**

**S i m p l e**

**S t y l i s h**

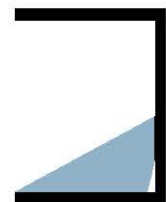
**P o w e r f u l**



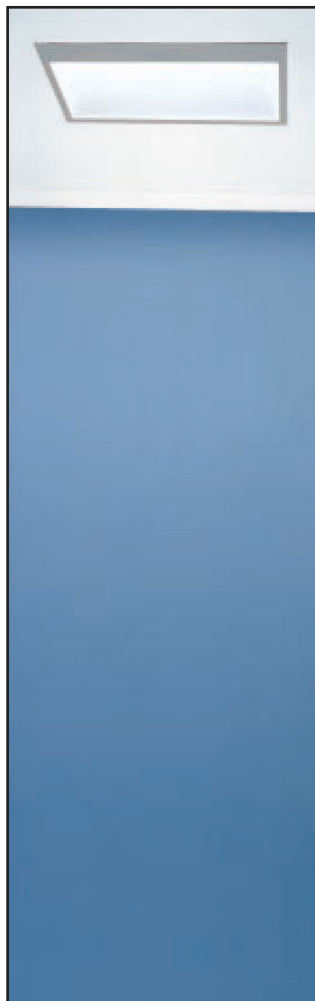
**WALL WASH  
 INDIRECT**



**CEILING MOUNT  
 INDIRECT**

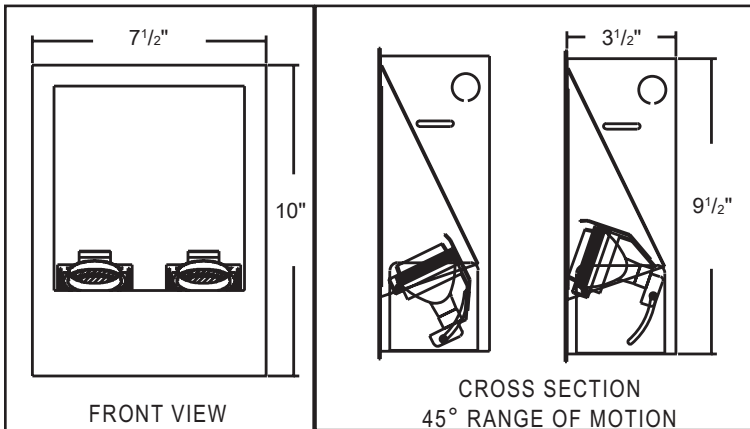


**AISLE MOUNT  
 DIRECT**



*(not allowable with  
 RX1351 or RX1352)*

## RX 1352-LED High Power LED Reflex® REFLEX® CEILING OR WALL MOUNTED RECESSED FIXTURE



- ADA Compliant for Wall and Ceiling
- Individual Locking Mechanisms ensure consistent lighting presentation
- 45° Range of Motion
- RX1352-LED Housing Constructed of White Steel
- For use with 2 MR16 LED Replacement Lamps by others
- Voltage Options
  - 120 Volts
  - 277 Volts
- Dimming with standard Electronic Low Voltage (ELV) Dimmer controls by others
- Standard Reflector Options:
  - High Reflectance Matte White
  - High Reflectance Gloss White
  - Satin Anodized Aluminum
  - Stainless Steel
  - Satin Horizontal Ribbed
- RX1352A Trim 7 1/2"W x 10"H  
Order Housing and Trim Accessory Separately
- UL and CUL Listed Damp Location (non IC only)

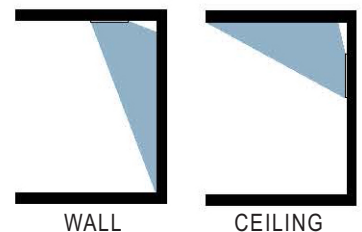
PROJECT

TYPE

CATALOG#



MOUNTING OPTIONS



### Ordering Format *choose one from each category*

SERIES	VOLTAGE	REFLECTOR	TRIM ACCESSORY
RX 1352-LED LED Reflex®	1 120 Volt	<b>MWR</b> High Reflectance Matte White	<b>ORDER RX1352A TRIM</b>
	2 277 Volt	<b>GWR</b> High Reflectance Gloss White	See Standard and Dimensional Trim Options
		<b>SAR</b> Satin Anodized Aluminum	
		<b>SHR</b> Satin Horizontal Ribbed	



# BELFER LIGHTING

TOOLS FOR THE LIGHTING PROFESSIONAL

## RX 1352A

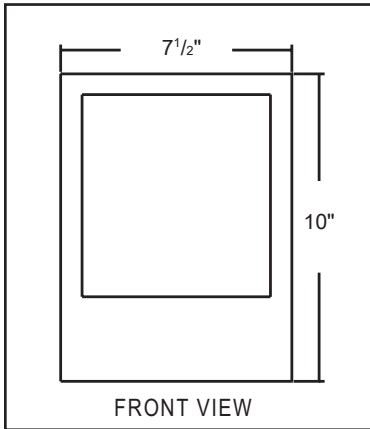
### Reflex® Trim Accessory

TRIM ACCESSORY FOR USE WITH  
RX1352-LED REFLEX® FIXTURES

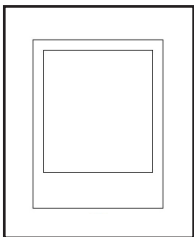
PROJECT

TYPE

CATALOG#



- RX1352A Constructed of White CRS, Steel or Stainless Steel
- Trim Accessory Options:
  - Dimensional Metal Trim Solid
- Finish Options
  - Satin Aluminum
  - White Powder Coat
  - Black Powder Coat
  - Titanium Powder Coat
  - Stainless Steel
  - Custom Colors are available, please consult factory.



### Ordering Format *choose one from each category*

**SERIES**  
RX1352A  
RX1352  
Reflex® Trim  
Accessory

**TRIM ACCESSORY**  
**DIMENSIONAL TRIM**  
DTS Dimensional Trim Solid

**FINISH**  
**DIMENSIONAL TRIM**  
SA Satin Aluminum  
WP White Powder Coat  
BP Black Powder Coat  
TT Titanium Powder Coat  
SS Stainless Steel



REFLEX® REFLECTOR OPTIONS



**MWR**  
 MATTE WHITE



**GWR**  
 GLOSS WHITE



**SAR**  
 SATIN ANODIZED  
 ALUMINUM



**SSR**  
 STAINLESS STEEL  
*(not available with RX1351 or  
 RX1352)*



**SHR**  
 SATIN HORIZONTAL  
 RIBBED

REFLEX® TRIM ACCESSORY OPTIONS



**PGS**  
 PANEL GLASS  
 TITANIUM SHOWN



**PDS**  
 PERFORATED DIFFUSER  
 WHITE SHOWN



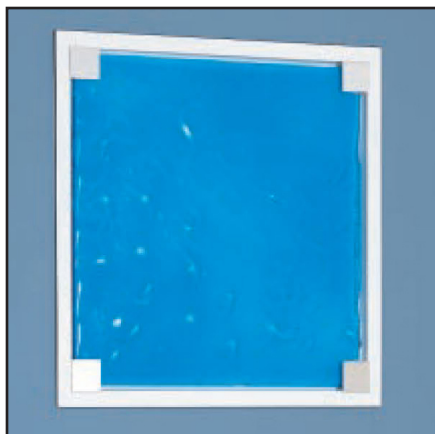
**FGS**  
 FROSTED GLASS  
 SATIN SHOWN



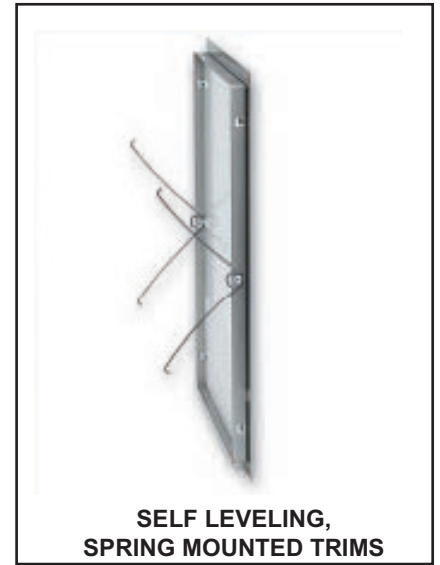
**DTS**  
 DIMENSIONAL TRIM SOLID  
 TITANIUM SHOWN  
*RX1351 and RX1352 are available with DTS Trim only*

REFLEX® CUSTOM FIXTURES AND MODIFICATIONS

If you have applications which dictate modifications to our standard Reflex fixtures, please contact our sales dept. In addition to modifications, Belfer has complete custom capabilities for your project. Our team of customer service and technical specialists are at your disposal to answer questions and offer advice about application, lamp placement and lighting objectives.

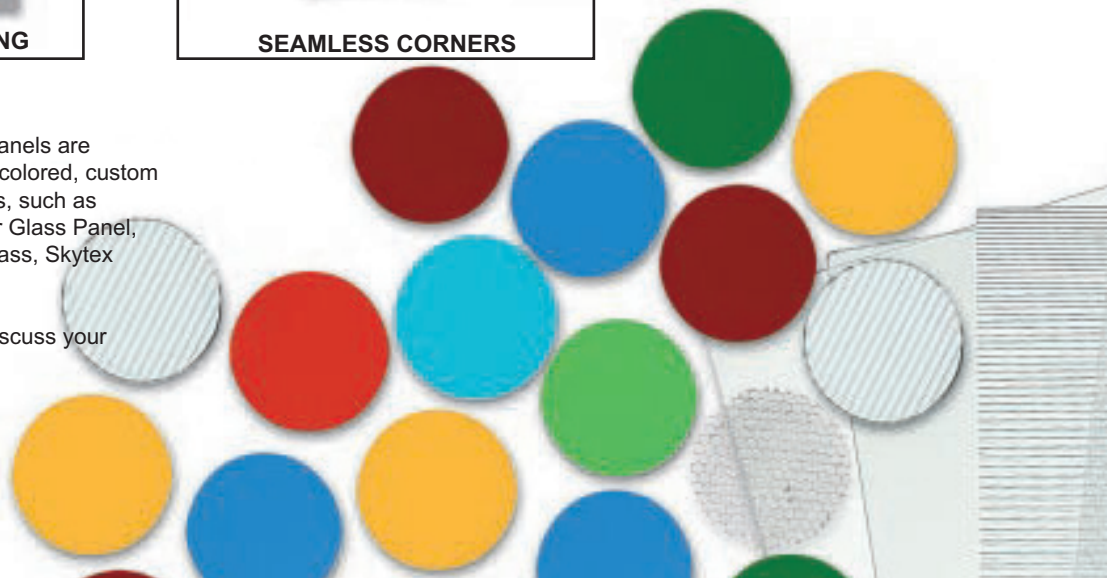


REFLEX® CEILING, WALL OR AISLE  
MOUNTED RECESSED FIXTURE



A variety of custom glass panels are available such as dichroic, colored, custom etched and designer panels, such as Solite™ Panel Glass, Clear Glass Panel, Skytex Horizontal Panel Glass, Skytex Vertical Panel Glass.

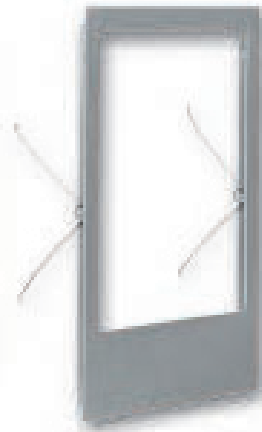
Please consult factory to discuss your specific requirements.



REFLEX® SIMPLE 3 STEP ASSEMBLY



The Reflex-LED integrated, adjustable mounting frame installs in 3 easy steps. The backbox is mounted in the wall and adjusted level. Secondly the Reflex® reflector slides seamlessly into the back box to enhance the LED output. The self leveling, spring mounted trim easily attached to the fixture to complete the look with clean architectural detailing.



**RX1320-LED and RX1341-LED**  
SHOWN



**RX1351-LED and RX1352-LED**  
SHOWN