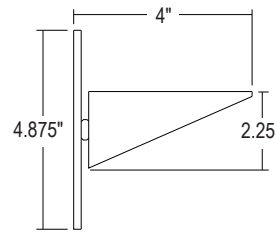
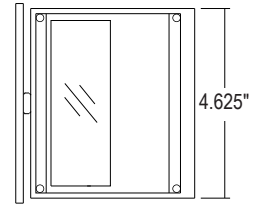


**PROJECT**

**TYPE**



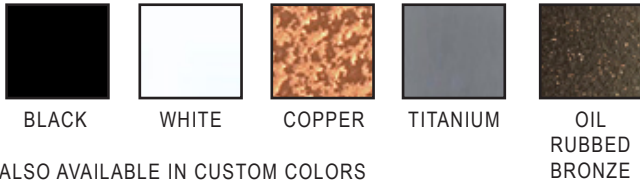
CROSS SECTION



TOP VIEW

- Meets ADA Requirements for Wall Sconces
- Cast Aluminum Housing
- Round Low Profile Backplate standard
- Specular Reflector
- 100 Watt BA15D base Halogen Lamping  
*(order separately or by others)*
- Clear Tempered Protective Lens standard
- Rich Powder Coat Finish
- Recommended Mounting Box: 4" Octagonal
- UL and CUL Listed Damp Location

Modifications and custom configurations are available.  
 Please consult factory.



ALSO AVAILABLE IN CUSTOM COLORS

**ORDERING FORMAT**

**SERIES**

**WS-8815-HAL**  
 The ADA Wedge™

**FINISH**

**WHP**  
 White Powder Coat

**BLP**  
 Black Powder Coat

**COP**  
 Copper Powder Coat

**TTP**  
 Titanium Powder Coat

**OBP**  
 Oil Rubbed Bronze Powder Coat

**CC**  
 Custom Color

**OPTIONAL ACCESSORIES**

**DIFFUSER**

**WS-SD-S1**  
 Saw Tooth Diffuser

**HALOGEN LAMP**

**WS-Q-100-DC**  
 Frosted 100W BA15D Base Lamp

**LENS**

**WS-L-S1-CL**  
 Clear Tempered Protective Lens  
*(standard with fixture)*

**WS-L-S1-FR**  
 Frosted Tempered Protective Lens



### RICH, DURABLE POWDER COAT FINISHES



**WHP**  
WHITE POWDER COAT



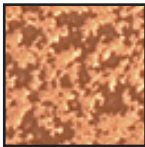
**BLP**  
BLACK POWDER COAT



**TTP**  
TITANIUM POWDER COAT



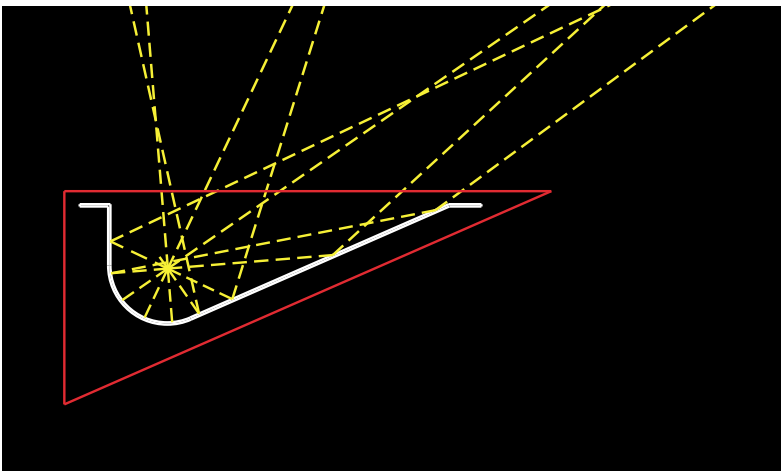
**OBP**  
OIL RUBBED BRONZE POWDER COAT



**COP**  
COPPER POWDER COAT

ALSO AVAILABLE IN  
**RAW** RAW CAST ALUMINUM  
(NO FINISH)  
**CC** CUSTOM COLORS

### COMPUTER DESIGNED SPECULAR REFLECTORS (halogen fixtures only)



LED FIXTURES DESIGNED TO PERFORM AS OUR HALOGEN FIXTURES

### SPECIFICATION GRADE CONSTRUCTION



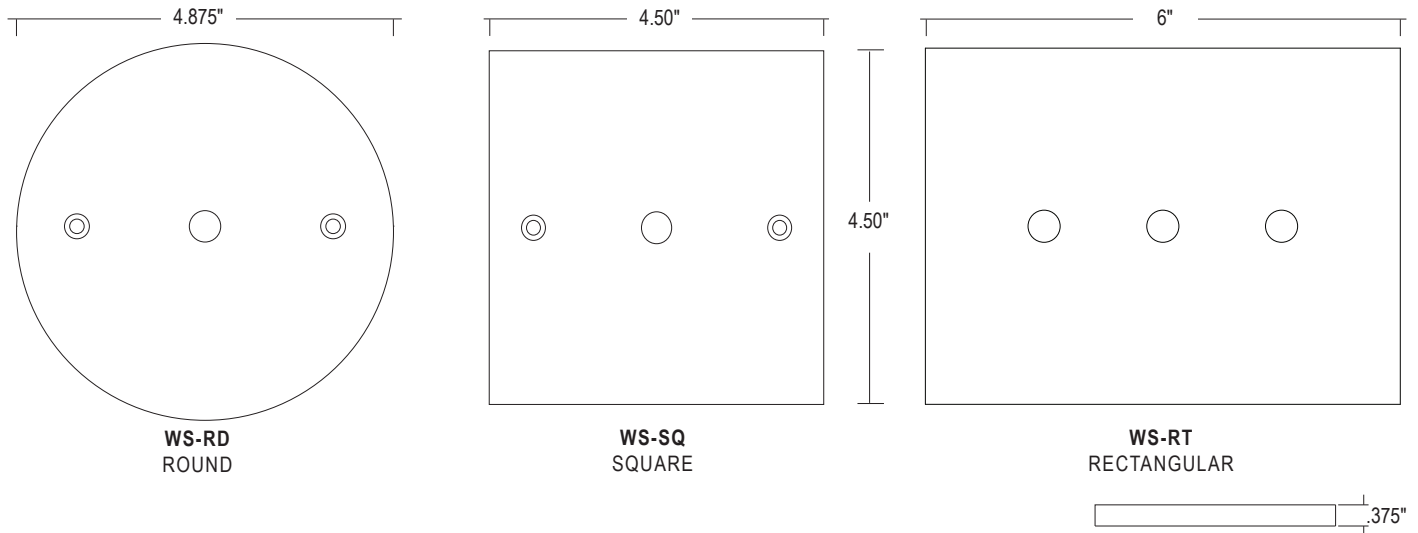
SPECIFICATION GRADE  
CAST ALUMINUM



SPECIFICATION GRADE  
FORMED STEEL

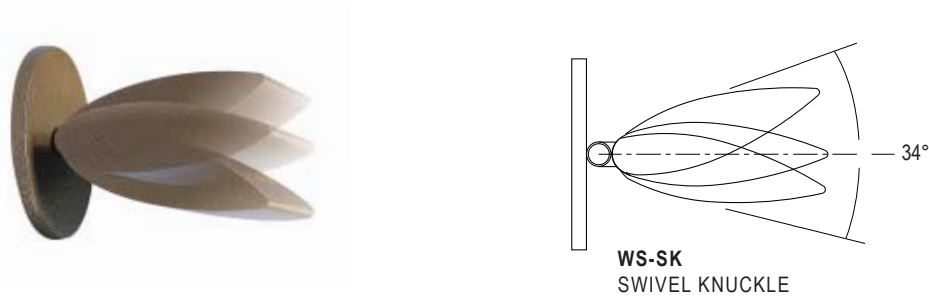
### WALL SCONCE BACKPLATES

OUR WALL SCONCE FIXTURES COME STANDARD WITH ROUND, SQUARE OR RECTANGULAR BACKPLATES IN MATCHING POWDERCOAT FINISHES



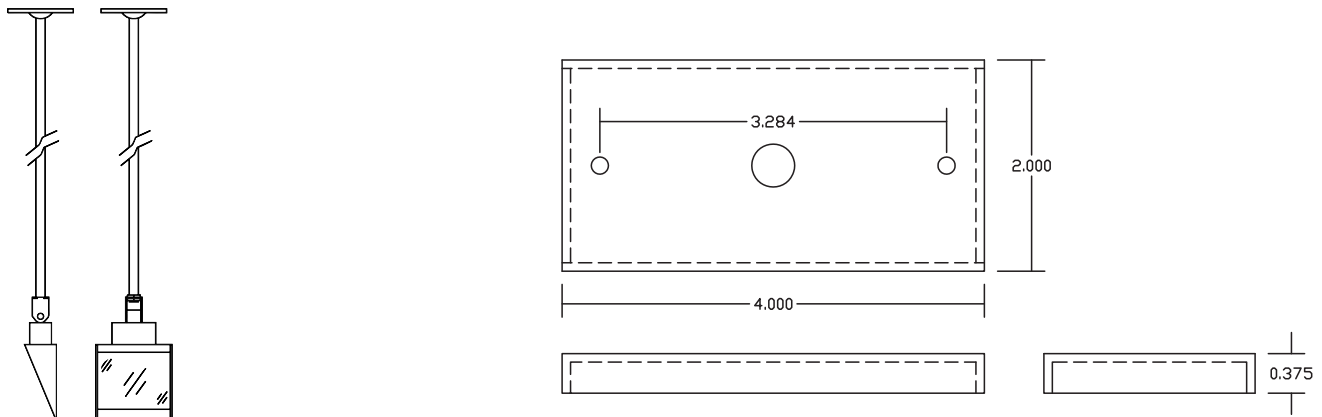
### SWIVEL KNUCKLES

OUR OPTIONAL SWIVEL KNUCKLE ALLOWS FOR 34° ADJUSTMENT (17° UP OR DOWN) FOR OPTIMUM LIGHT DIRECTION



### CUSTOMIZATION

CUSTOM ACCESSORIES ARE AVAILABLE INCLUDING STEMS, SHIELDING, SHROUDS AND BACKPLATES. PLEASE CONSULT THE FACTORY ON YOUR CUSTOM DESIGNED PROJECT.



	<b>ADJUSTMENTS</b>		<b>BACKPLATES</b>	
	<b>SWIVEL KNUCKLE</b>		<b>STANDARD BACKPLATE</b>	<b>OPTIONAL BACKPLATE</b>
<b>WEDGE™</b>				
WS-6215-HAL	WS-SK		WS-RD	WS-SQ
WS-6215-LED-Z10	WS-SK		WS-RD	WS-SQ
WS-6215-LED-Z10-DW	WS-SK		WS-RD	WS-SQ
WS-6215-LED-ELV-1	WS-SK		WS-RD	WS-SQ
WS-6215-LED-ELVT-1-DW	WS-SK		WS-RD	WS-SQ
<b>VARIAL™</b>				
WS-6230-HAL	INCL.		WS-RD	WS-SQ
WS-6230-LED-ELV-1	INCL.		WS-RD	WS-SQ
<b>WEDGE LENS™</b>				
WS-7215-HAL	WS-SK		WS-SQ	WS-RD
WS-7215-LED-ELV-1	WS-SK		WS-SQ	WS-RD
<b>DOUBLE WEDGE LENS™</b>				
WS-7230-HAL	WS-SK		WS-RT	N/A
WS-7230-LED-ELV-1	WS-SK <i>(requires 2)</i>		WS-RT	N/A
<b>ADA WEDGE™</b>				
WS-8815-HAL	N/A		WS-RD-LP	N/A

	<b>DIFFUSERS</b>		<b>LENSES</b>				
	<b>SAW TOOTH DIFFUSER</b>		<b>CLEAR TEMPERED</b>	<b>FROSTED TEMPERED</b>	<b>CLEAR MICRO PRISMATIC</b>	<b>FROSTED MICRO PRISMATIC</b>	<b>CLEAR DIAMOND PATTERN</b>
<b>WEDGE™</b>							
WS-6215-HAL	WS-SD-S1	WS-L-S1-CL	WS-L-S1-FR	N/A	N/A	N/A	
WS-6215-LED-Z10	WS-SD-S2	N/A	N/A	WS-L-S2-MP-CL	WS-L-S2-MP-FR	N/A	
WS-6215-LED-Z10-DW	WS-SD-S2	N/A	N/A	WS-L-S2-MP-CL	WS-L-S2-MP-FR	N/A	
WS-6215-LED-ELV-1	WS-SD-S2	N/A	N/A	WS-L-S2-MP-CL	WS-L-S2-MP-FR	N/A	
WS-6215-LED-ELVT-1-DW	WS-SD-S2	N/A	N/A	WS-L-S2-MP-CL	WS-L-S2-MP-FR	N/A	
<b>VARIAL™</b>							
WS-6230-HAL	WS-SD-S1	WS-L-S1-CL	WS-L-S1-FR	N/A	N/A	N/A	
WS-6230-LED-ELV-1	WS-SD-S2	N/A	N/A	WS-L-S2-MP-CL	WS-L-S2-MP-FR	N/A	
<b>WEDGE LENS™</b>							
WS-7215-HAL	WS-SD-S3	WS-L-S3-CL	WS-L-S3-FR	WS-L-S3-MP-CL	WS-L-S3-MP-FR	WS-L-S3-DP-CL	
WS-7215-LED-ELV-1	WS-SD-S3	N/A	N/A	WS-L-S3-MP-CL	WS-L-S3-MP-FR	WS-L-S3-DP-CL	
<b>DOUBLE WEDGE LENS™</b>							
WS-7230-HAL	WS-SD-S4	WS-L-S4-CL	WS-L-S4-FR	WS-L-S4-MP-CL	WS-L-S4-MP-FR	WS-L-S4-DP-CL	
WS-7230-LED-ELV-1	WS-SD-S4	N/A	N/A	WS-L-S4-MP-CL	WS-L-S4-MP-FR	WS-L-S4-DP-CL	
<b>ADA WEDGE™</b>							
WS-8815-HAL	WS-SD-S1	WS-L-S1-CL	WS-L-S1-FR	N/A	N/A	N/A	