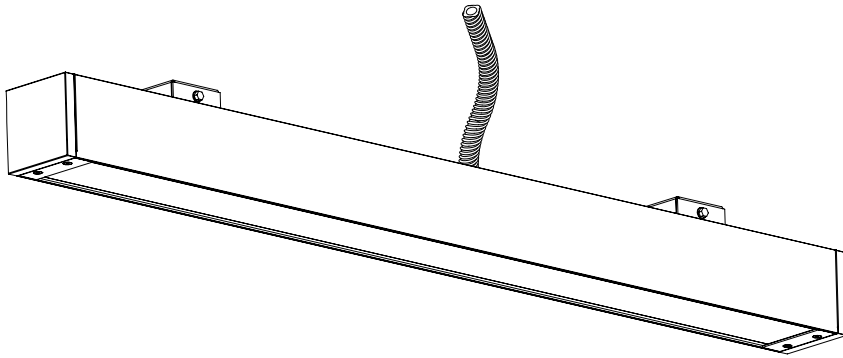
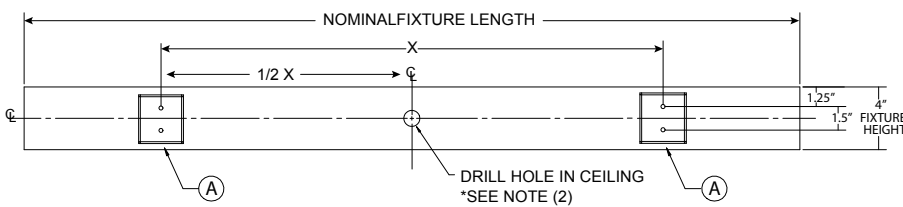


INSTRUCTION SHEET

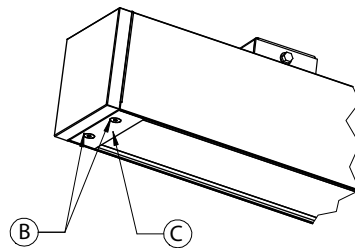
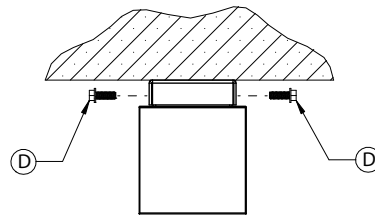
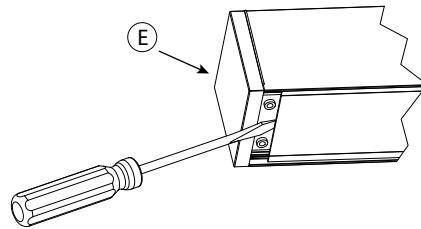
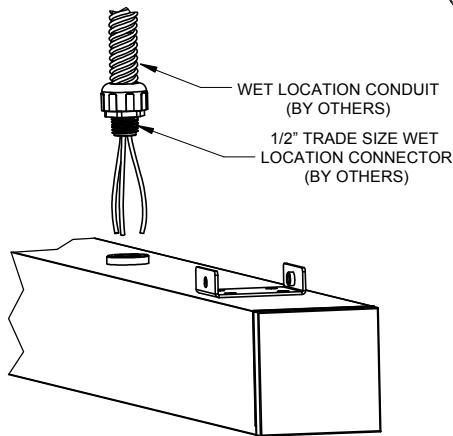
STND - Standard Feed



BRACKET MOUNTING CENTERS



NOMINAL FIXTURE LENGTH	X
2'	16"
3'	24"
4'	32"



Mounting

1. Install ceiling brackets (A) as shown using 1/4" bolts (by others) suitable for intended surface.
2. Drill hole in ceiling as shown for flex conduit. **Note:** size of hole depends on size of conduit connector and must be large enough to allow conduit connector to protrude into ceiling.
3. Loosen captive screws (B) and remove endplates (C) from both ends.
4. Remove lens by lifting from end. Use a flat blade screw driver (E) to pry loose. **Note:** take care not to damage lens or gasket.
5. Remove reflector/liner.
6. Connect 1/2" flex conduit to fixture. **Note:** for wet locations flex conduit must be liquid tight and pipe thread sealant or teflon tape must be used on threads.
7. Mount fixture on ceiling brackets (A) and install supplied screws (D).
8. Make wire connections inside fixture.
9. Reinstall reflector/liner
10. Reinstall lens. **Note:** firmly press along entire length of lens to ensure a good seal.
11. Reinstall both endplates (C).
12. Seal hole around conduit connector with silicone, caulking or wall patch.

note: Continuous run, provide for 1/8" between fixtures.

Note: To be installed by a qualified electrician per N.E.C. and all local codes.

820-00032
V-0615