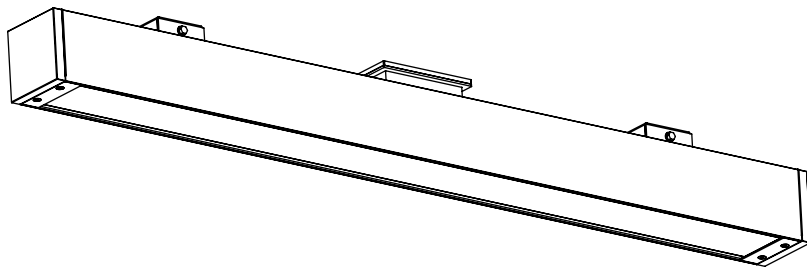
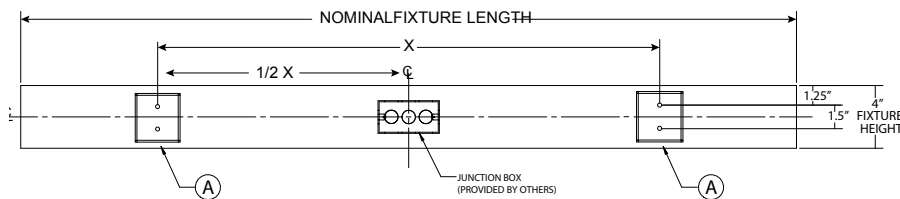


**INSTRUCTION SHEET**

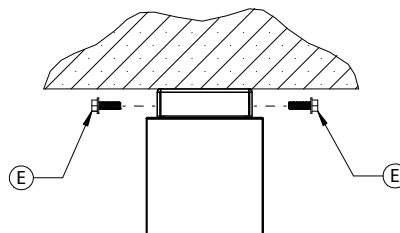
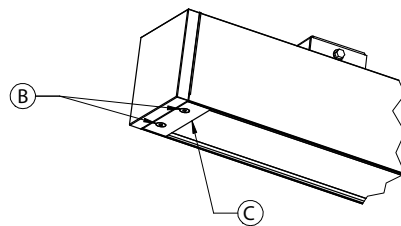
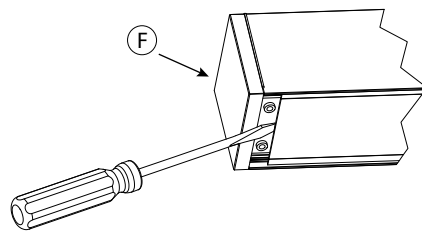
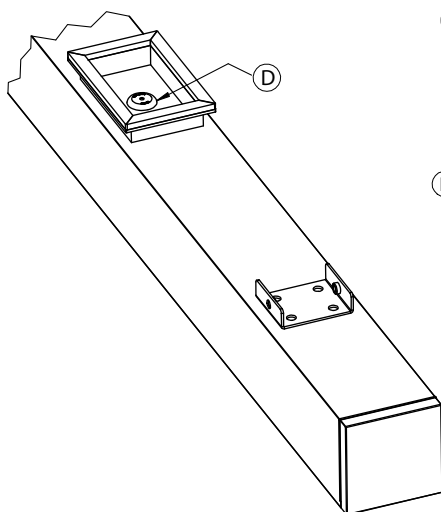
JBE - J-box Extender



**BRACKET MOUNTING CENTERS**



NOMINAL FIXTURE LENGTH	X
2'	16"
3'	24"
4'	32"



**Mounting**

1. Install a recessed 2" x 4" single gang junction box as shown.
  2. Install ceiling brackets (A) as shown using 1/4" bolts (by others) suitable for intended surface.
  3. Loosen captive screws (B) and remove endplates (C) from both ends.
  4. Remove lens by lifting from end. Use a flat blade screw driver (F) to pry loose. Note: take care not to damage lens or gasket.
  5. Remove reflector/liner.
  6. Pierce a small hole in the center of rubber plug (D) using a piece of solid core wire. Push wires from junction box through hole into fixture.
  7. Mount fixture on ceiling brackets (A) and install supplied screws (E).
  8. Make wire connections inside fixture.
  9. Reinstall reflector/liner.
  10. Reinstall lens. Note: firmly press along entire length of lens to ensure a good seal.
  11. Reinstall both endplates (C).
- note:** Continuous run, provide for 1/8" between fixtures.

**Note:** To be installed by a qualified electrician per N.E.C. and all local codes.

820-00034  
V-0615