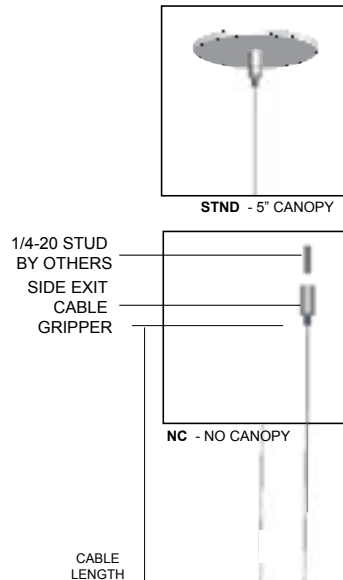
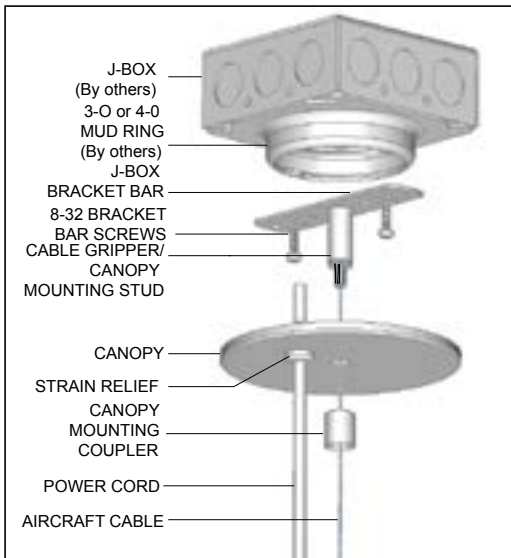


INSTRUCTION SHEET

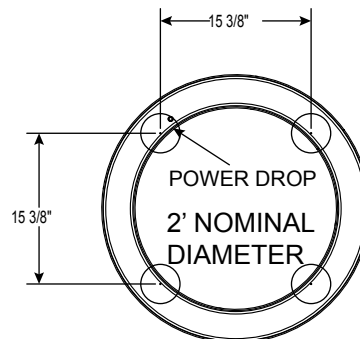
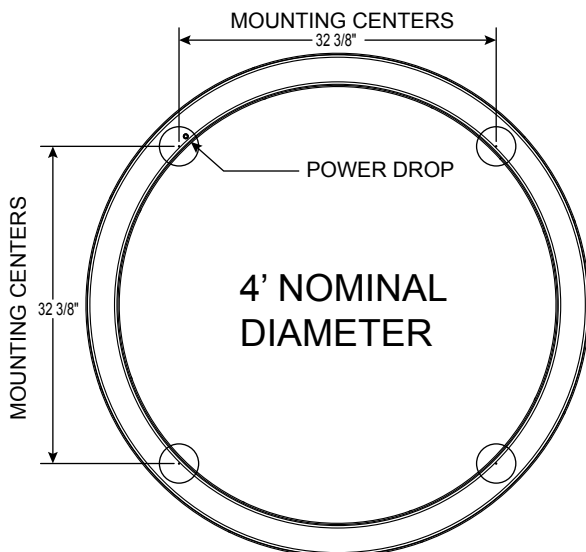
CSS - Cable Suspended



1. See below for J-Box mounting centers (Jbox by others) Assure that all j-boxes are properly grounded.
2. Secure bracket bar to mud ring or in the case of "NC" option mount 1/4-20 stud to structure and install cable gripper.
3. Place fixture on a work table with the cables down.
4. Install by grasping the fixture with one hand and rotating the lens clockwise with the other hand until it "clicks". Once this occurs lens will float slightly but cannot fall out.
5. Flip fixture over.
6. Install top lens while routing cables and power cord thru holes. (DIR/IN ONLY)
7. Cut cables to desired length – be careful not to fray cable ends
8. Insert cable into gripper ends and adjust to desired length
9. Insert AWM cord through canopy and secure with provided strain relief
10. Complete wire make-up
11. Install canopy with canopy mounting coupler

Servicing is while fixture is suspended"

1. Two people are required to remove bottom lens, one on each side of the fixture, performing the same task at the same time. Grasp the fixture with one hand and rotate the lens counterclockwise with the other hand until it "clicks". The Lens will drop free.
2. Remove the LED liners to access the driver compartment.
3. To access the top of direct/indirect fixtures, lift top lens straight up. Use clips by othersto hold lens up while servicing fixture.



Note: To be installed by a qualified electrician per N.E.C. and all local codes.

820-00125
V-0415