



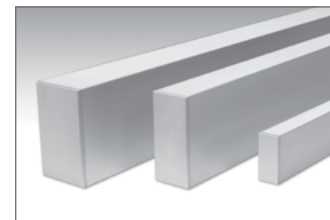
COLLIN LED 325 CSS



Made in the USA



UL and c-UL listed for dry and damp locations.



325, 225, 125 Profiles



RLW Lens

COLLIN LED, our popular direct/indirect linear luminaire, is designed to deliver strong and even illumination while "disappearing" into any architectural interior surrounding.

Concealed within COLLIN's modern rectangular profile lies a true workhorse fixture combining multiple direct or indirect lighting options. Optional 2-Circuit (2CKT) switching capabilities for lighting the ceiling or work plane simultaneously, or individually, provide alternative light distribution when and where you need it most - or don't.

Aircraft cable suspension or surface mounting options allow COLLIN LED to deliver style and substance to any specification-grade lighting project.

FIXTURE SPECIFICATIONS

Construction

Heavy gauge extruded aluminum housing. 1/4" thick precision machined aluminum end-caps. Extruded acrylic lenses specifically engineered to maximize the performance and transmission from a variety of light sources.

Finishes

(SC) Satin Clear anodize is standard. (MW) Matte White or (FB) Flat Black powder coat finishes optional. Custom finishes available - consult factory.

Fixture Length

Fixtures are available in nominal lengths of 2, 3, 4, 6 and 8 feet. Continuous run mounting available featuring internal adjoining bracket and splines for a straight and precise installation.

LED Light Engine System

LED Light Engines are available as HLO (High Lumen Output) and SLO (Standard Lumen Output) providing efficient illumination. CLO (Custom Lumen Output) allows for end user specified lumen output or tailored wattage consumption for certain models. Consult factory for details.

Dimming

Dimming is available with a variety of control protocols and options. Consult factory for availability and specifications.

Lens and Louver Options

(FW) Frosted White flush lens or (RLW) Reveal Frosted White with 3/8" extension. (FBLSS) Flat Blade Louver Semi-Specular with diffusing layer.

Mounting

Field-adjustable 1/8" aircraft (CSS) Cable Suspension System for use with bracket bar, 5" round canopy and cable gripper device. 3/6" aircraft cable and (G) Gray power cord included as standard. Please specify (CSS) Cable Suspended or (WM) Wall Mount. Other cable lengths and power cord styles are available, see options guide or consult factory.

Custom and Mods

We proudly specialize in manufacturing custom and modified luminaires and have the ability to modify most of our standard fixtures. Please contact factory with any inquiries.

www.birchwoodlighting.com

Type: Job Name:

Cable Suspended | Wall Mount

SPECIFICATION CODE

COL-LED

model	configuration	direct light engine	indirect light engine	color temp	length	finish	lens direct	lens indirect	voltage	driver	mounting
COL-LED-125 1.25" Direct/Indirect	1DR-1IN - 1 lamp direct/1 indirect	SLO - Standard Lumen Output	SLO - Standard Lumen Output	27 - 2700K 30 - 3000K 35 - 3500K 40 - 4000K	2 - 2' 3 - 3' 4 - 4' 6 - 6' 8 - 8'	Anodized SC - Satin Clear	FW - Frosted White	120 277 347 ⁴	EB - Electronic	CSS - Cable Suspended	
COL-LED-225 2.25" Direct/Indirect	1DR-0IN - 1 lamp direct/0 indirect	HLO - High Lumen Output	HLO - High Lumen Output		CR ₁ - Continuous Run	Powder Coat MW - Matte White FB - Flat Black CUP - Custom ²	RLW ⁷ - Reveal Frosted White 3/8" extended	D10 - 0-10V 10% 0-10V HLA2 ⁵ - Lutron	D1 - 1% (nom) 0-10V 10% 0-10V HLA2 ⁵ - Lutron 2 wire HLA3 - Lutron 3 wire HLH - Lutron H EcoSystem HL5 - Lutron 5 series EcoSystem	WM ⁶ - Wall Mount WMB - Wall Mount Bracket	
COL-LED-325 3.25" Direct/Indirect	(0) designates No lamp option	CLO ⁴ - Custom Lumen Output	CLO ⁴ - Custom Lumen Output				FBLSS ⁷ - Flat Blade Louver Semi-Specular	DALI - DALI			

[CLO Calculator](#)

CSS SPECIFICATION CODE

CSS Options

- CSS**³ - Cable Length
- CSS**³ - Power Cord Color
- CSS**³ - Canopy
- CSS**³ - Canopy Finish

CSS selections only³

standard cable length	standard cord color	standard canopy	standard canopy finish
-----------------------	---------------------	-----------------	------------------------

OPTION CODE

Options

- 2CKT** - 2 Circuit Switching
- EM**⁸ - Emergency Battery Pack

option option

NOTES

- 1 specify length in nominal feet
- 2 contact factory for custom finish
- 3 see options below for non-standard selections
- 4 refer to CLO Calculator for code selection CLO available for EB, D1, D10 drivers only
- 5 120V only
- 6 325 only
- 7 FBLSS option is direct with FW as indirect. RLW option is the same selection on both direct and indirect sides
- 8 consult factory for EM options

*see [option sheet](#) for details

CSS Options

Cable Length 36 - 36" (standard) 72 - 72" 120 - 120"	Power Cord Color W - White B - Black G - Gray (standard)
Canopy STND - Bracket bar w/5" round canopy NC - No canopy 1/4-20 side exit cable gripper (1/4-20 stud provided by others) CU - Custom (contact factory)	Canopy Finish MW - Matte White SMT - Silver Matte Texture FB - Flat Black CUP - Custom (contact factory)

LED

125 (4000K FW lens) 60% Indirect / 40% Direct

SLO-SLO - 71.7 lm/watt delivered @ 5.8 w/ft fixture input watts, 249 lm/ft. Indirect, 166 lm/ft. Direct
HLO-HLO - 70.5 lm/watt delivered @ 11.8 w/ft fixture input watts, 499 lm/ft. Indirect, 333 lm/ft. Direct
CLO - refer to [CLO Calculator](#)

125 LED [supplement info](#)

225 (4000K FW lens) 1DR-1IN* 50% Indirect / 50% Direct

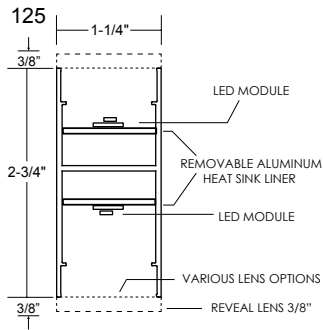
SLO-SLO - 99.6 lm/watt delivered @ 8.8 w/ft fixture input watts, 634 lm/ft.
HLO-HLO - 93.6 lm/watt delivered @ 18 w/ft fixture input watts, 1218 lm/ft.
CLO - refer to [CLO Calculator](#)
225 LED [supplement info](#)

325 (4000K FW lens) 1DR-1IN* 50% Indirect / 50% Direct

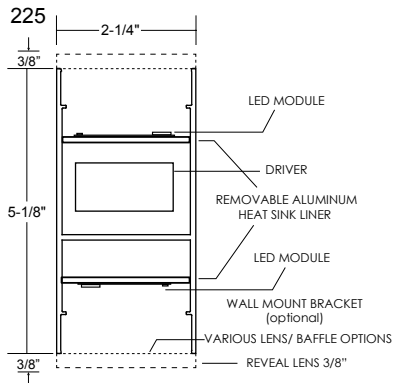
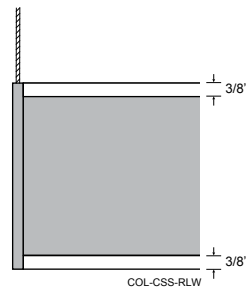
SLO-SLO - 89.4 lm/watt delivered @ 8.8 w/ft fixture input watts, 786 lm/ft.
HLO-HLO - 84 lm/watt delivered @ 18 w/ft fixture input watts, 1512 lm/ft.
CLO - refer to [CLO Calculator](#)
325 LED [supplement info](#)

* For 1DR-0IN divide lm/ft and w/ft data by 2

Dimensions



RLW Lens Dimensions



325

