

## DESCRIPTION

The Define series by Neo-Ray characterizes the ultimate in minimalist simplicity by providing clean, uniform lines of illumination in virtually any architectural environment. Powered by Eaton's most advanced linear LED technology, the Define series delivers outstanding efficacy in a variety of profile widths. 1", 2", 3", 4" and 5" luminaire widths are all specifiable to the nearest inch in length and can be fitted with standard flush, regress and drop lensing. In wall corners and wall to ceiling transitions can all be ordered as standard components and blend seamlessly into the most complex architectural spaces. Custom transitions are also available. Robust construction and adaptable, modular components make installation simple and ensure laser straight runs.

## SPECIFICATION FEATURES

### Construction

Housing trim extruded from 6063 aluminum. Nominal 2' -12' illuminated sections. Used in run configuration and/or individual fixtures. All components are RoHs compliant.

### Lens

Snap in lens available in flush and drop lens profiles. Lens end caps allow for ease of installation and eliminate light leak.

### Finish

Fixture housing trims are high reflective white using electrostatically applied polyester powder coat paint.

### Mounting

Recessed.

### Electrical

Long-life LED system coupled with electrical driver to deliver optimal performance. LED's are available in 2700K, 3000K, 3500K or 4000K with a typical CRI  $\leq$  85. Projected life is 131,000 hours at L70. Electronic drivers are available for 120-277V applications. Fixtures and electrical components certified to UL and cUL standards. Fixtures are damp location listed and IC rated. For Chicago plenum, specify CP in fixture options.

### Controls

Equipped standard with a 0-10V continuous dimming driver compatible with most standard dimming devices (refer to website for specific compatibility reference). Combine with FifthLight DALI and other energy saving products like sensors, daylighting controls and building management systems to maximize energy savings.

### Warranty

Five year warranty.

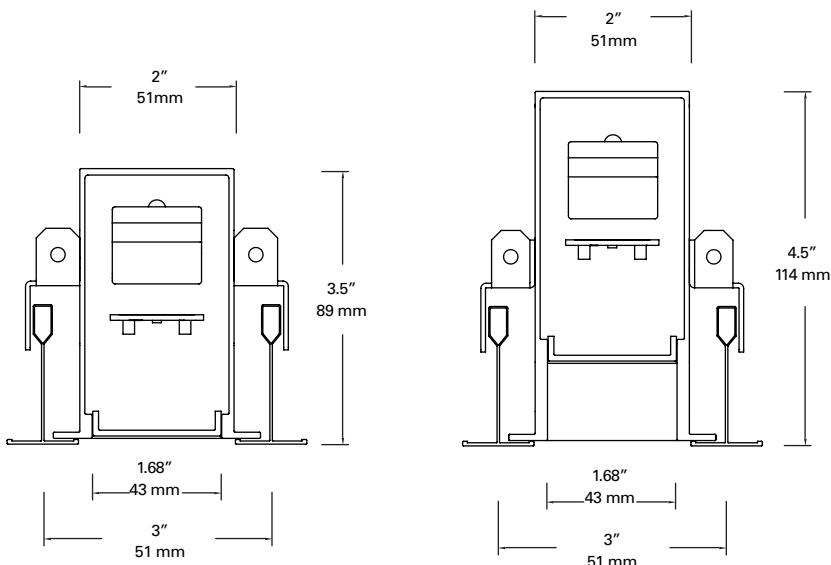


## DEFINE 2

LED

Recessed  
Direct

cULus - 1598  
Damp Location Listed  
LM79/LM80 Compliant  
ROHS Compliant  
Lumawatt Pro Wireless



## ORDERING INFORMATION

Sample Number: S122-DR-2-35-ETG-0048-1-U-DD-1-W

Series	Light Distribution	Light Level <sup>1</sup>	CCT	Ceiling Type <sup>2</sup>	Length <sup>3</sup>	
S122 = Define 2 QS-S122 = Define 2 Quick Ship	DR = Direct Recessed RDR = Recessed Direct Recessed	-LO = Light Level LO (1284 Lms @ 13.6W) (321 Lumens per ft @ 3.4W) -1 = Light Level 1 (2608 Lms @ 27.9W) (652 Lumens per ft @ 7W) -2 = Light Level 2 (3695 Lms @ 42.6W) (924 Lumens per ft @ 10.65W) -LC = Custom Lm/Ft <sup>1</sup>	27 = 2700K 30 = 3000K 35 = 3500K 40 = 4000K	ETG = 15/16" T-Grid FTG = 9/16" T-Grid STG = 9/16" Slot T-Grid ETT = 15/16" Tegular T-Grid FTT = 9/16" Tegular T-Grid GYP = Gypsum board FSR = "Flangeless" Gypsum Board FES = "Finished" Extruded Side	0024 = 2' Individual <sup>4</sup> 0036 = 3' Individual <sup>4</sup> 0048 = 4' Individual 0072 = 6' Individual 0096 = 8' Individual 0144 = 12' Individual XXXX = Configurable Run <sup>5</sup>	
Circuiting	Voltage	Integral LED Driver	Emergency Options	Options <sup>9</sup>	Shielding	Color
1 = Single Circuit 2 = Dual Circuit	1 = 120V 2 = 277V U = Universal (120V-277V) 3 = 347V <sup>6</sup>	-ED = Non-Dimming -DD = 0-10 Volt Dimming, 10% -HCD = 0-10 Volt Dimming, 1% -5L = DALI Dimming <sup>7</sup> -LUE = Lutron A-Series w/eco sys <sup>13</sup> -LUL = Lutron A-Series w/3W dim <sup>13</sup>	B = Battery Pack <sup>8</sup> E = Emergency T = Transfer Switch	CP = Chicago Plenum SVDP1 = Integrated Sensor LWIPD1 = Lumawatt Pro Wireless Integral Sensor <sup>12</sup>	1 = Satin Flush Diffuser <sup>11</sup> 3 = Asymmetric Flush Optic <sup>10</sup> 4 = Satin Drop Diffuser	W = Matte White S = Silver B = Black C = Custom Color

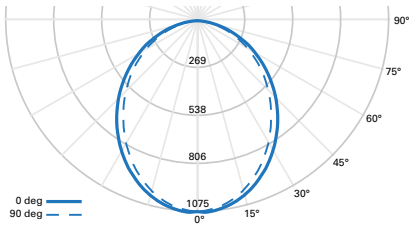
Grey bar denotes available Quick ship options.



See page 5 for Technical Notes.  
Specifications and dimensions subject to change without notice.  
See additional information on the following pages.

TD519003EN  
11/22/2017

All data certified to LM-79 standards in a NAVLAB approved testing facility



**FILE NAME: S122-DR-1-35-ETG-0048-1-U-DD-1-W**

**CCT: 3500K**

**LUMENS: 2608 Lms**

**WATTS: 27.9 W**

**LPW: 93.5 LPW**

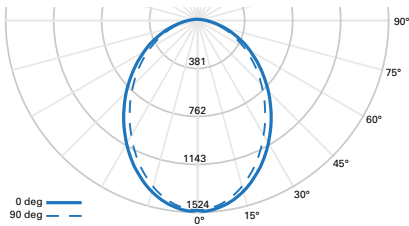
**TEST NUMBER: P33909**

**ZONAL LUMENS SUMMARY**

Zone	Lumens	% Fixture
0°-30°	790	30.3
0°-40°	1259	48.3
0°-60°	2118	81.2
0°-90°	2608	100.0

**LUMINANCE DATA (cd/M<sup>2</sup>)**

Vertical Angle	0°	45°	90°
45	17470	16525	15809
55	16115	15150	14385
65	14780	13578	12655
75	12465	11222	10419
85	8731	7673	6886



**FILE NAME: S122-DR-2-35-ETG-0048-1-U-DD-1-W**

**CCT: 3500K**

**LUMENS: 3695 Lms**

**WATTS: 42.6 W**

**LPW: 86.7 LPW**

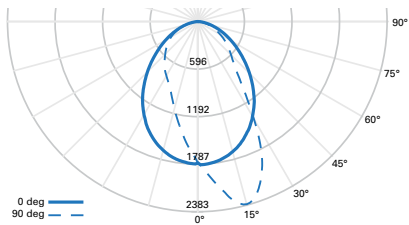
**TEST NUMBER: P33922**

**ZONAL LUMENS SUMMARY**

Zone	Lumens	% Fixture
0°-30°	1120	30.3
0°-40°	1784	48.3
0°-60°	3001	81.2
0°-90°	3695	100.0

**LUMINANCE DATA (cd/M<sup>2</sup>)**

Vertical Angle	0°	45°	90°
45	24756	23417	22402
55	22833	21466	20385
65	20943	19244	17926
75	17663	15897	14761
85	12376	10868	974



**FILE NAME: S122-DR-2-35-ETG-0048-1-U-DD-3-W**

**CCT: 3500K**

**LUMENS: 3707 Lms**

**WATTS: 42.8 W**

**LPW: 86.6 LPW**

**TEST NUMBER: G2-1612-022-4**

**ZONAL LUMENS SUMMARY**

Zone	Lumens	% Fixture
0°-30°	1343	36.2
0°-40°	2052	55.3
0°-60°	3165	85.4
0°-90°	3707	100.0

**CANDELA DISTRIBUTION (cd)**

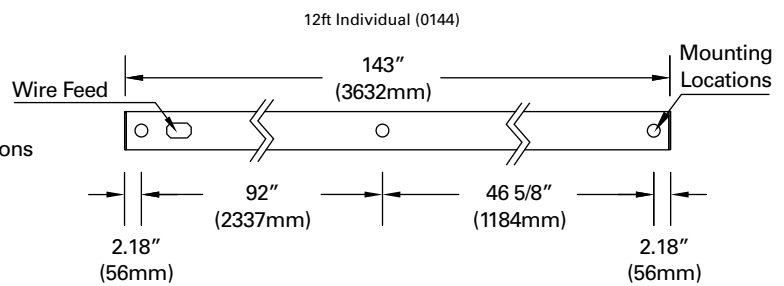
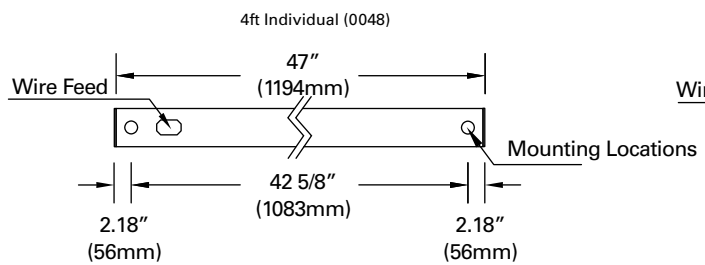
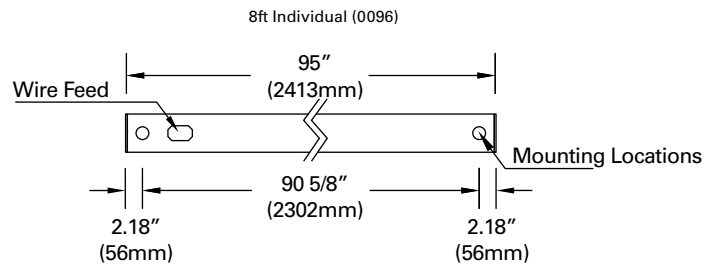
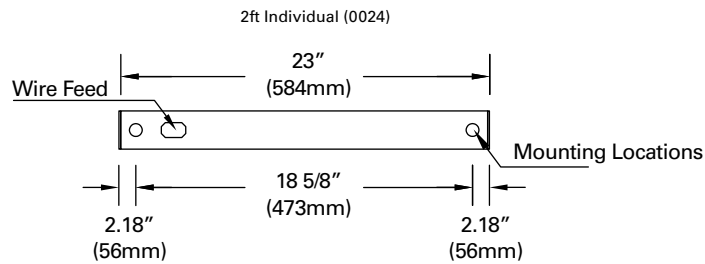
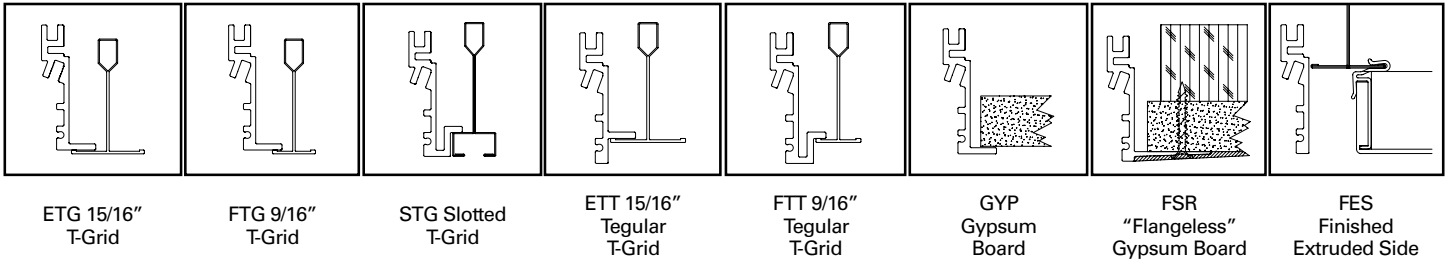
Vertical Angle	0°	90°	180°	270°
0	1782	1782	1782	1782
10	1757	2243	1746	1334
20	1612	2239	1596	978
25	1507	1914	1490	866
30	1377	1405	1358	793
40	1079	713	1059	654
50	762	498	745	520
60	487	325	472	390
70	267	182	253	236
80	96	71	85	87
90	0	0	0	0

**LUMEN MAINTENANCE**

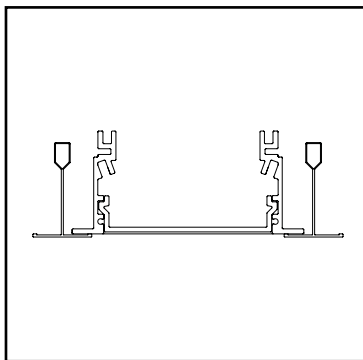
Ambient Temperature	TM-21 Lumen Maintenance (100,000 hours)	Theoretical L70 (Hours)
25°C	84.29%	131,000

**MOUNTING**

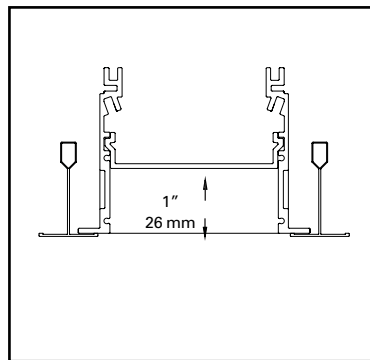
Extruded Trim Flange Details - Refer to submittal drawings for detailed flange information - for additional options consult factory.



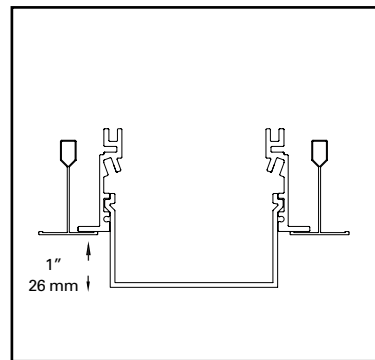
**LENS DETAIL**



Satin Flush Diffuser  
Asymmetric Flush Diffuser

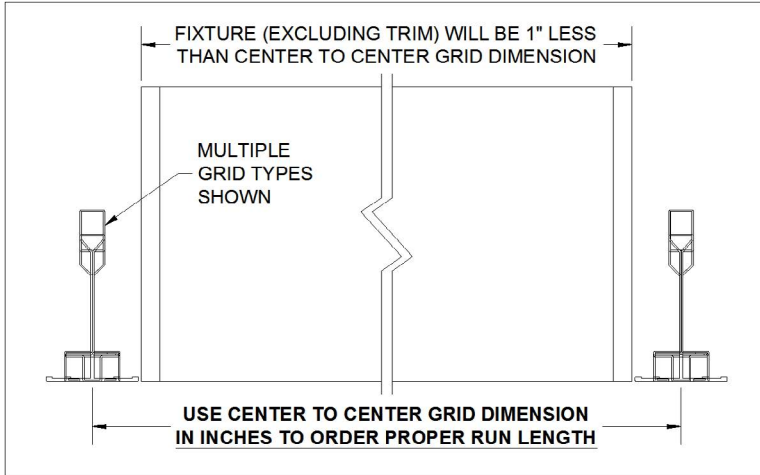


Regressed Satin Diffuser

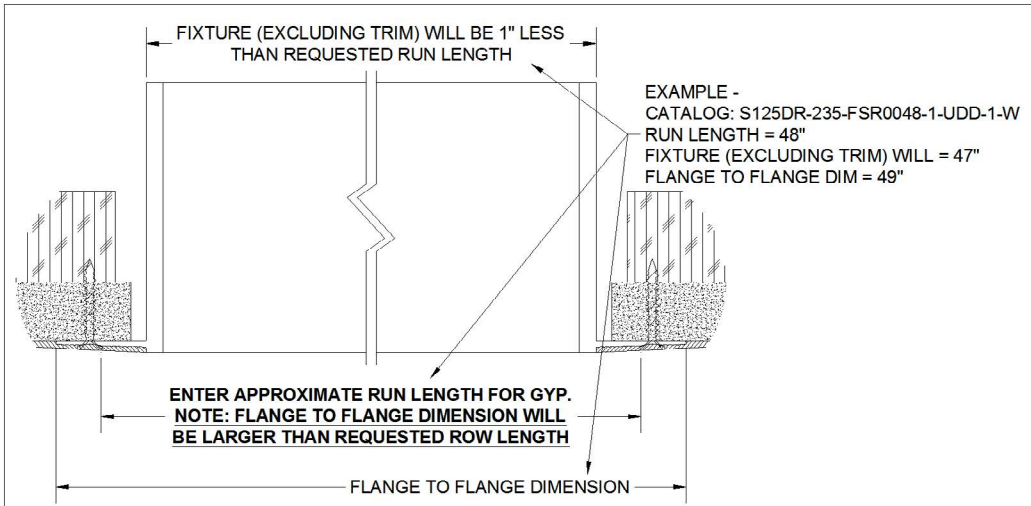


Satin Drop Down Diffuser

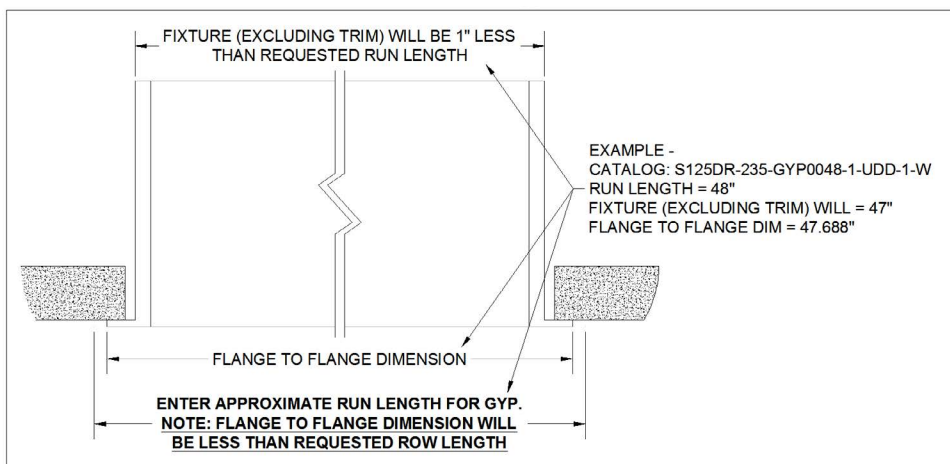
ALL GRID TYPES SHOWN



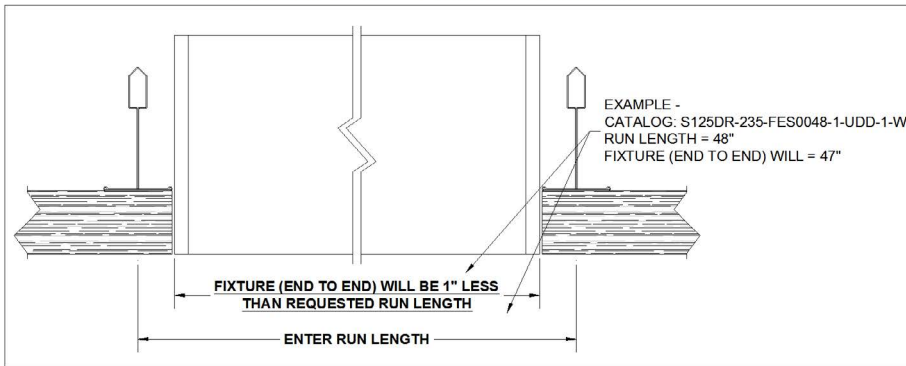
FSR: "FLANGELESS" GYPSUM BOARD



GYP: GYPSUM BOARD

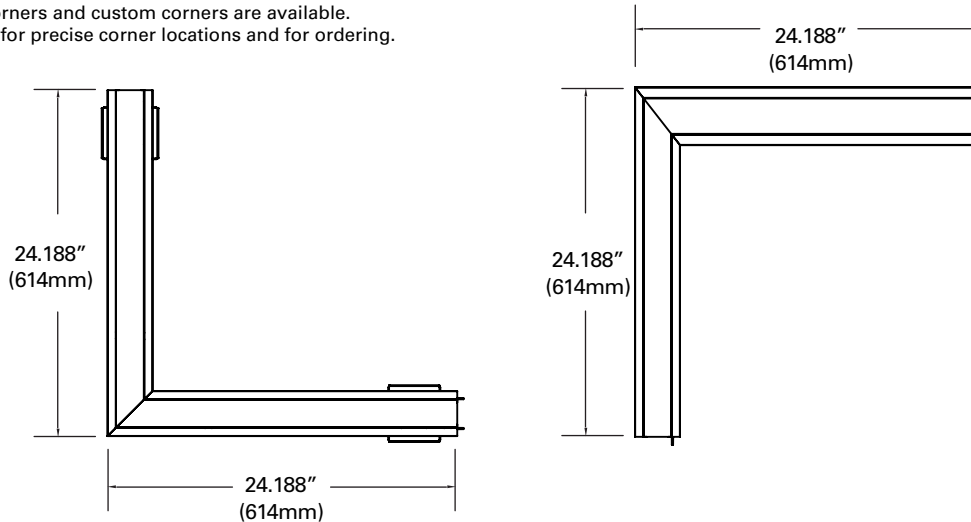


FES: "Finished" Extruded Sides



**CORNER TRANSITIONS**

Standard 90 degree corners and custom corners are available. Please consult factory for precise corner locations and for ordering.



**INTEGRATED SENSOR DETAILS AND PLACEMENT<sup>12</sup>**

	Sensor Series	Occupancy Technology	Sensing Technology	Coverage Pattern
4ft Individual <input type="radio"/>	SV	P	D	~144 ft <sup>2</sup>
8ft Individual <input type="radio"/>	LWI			
12ft Individual <input type="radio"/>				

**TECHNICAL NOTES**

- Additional lower light levels are available depending on fixture length. For the HCD driver, the requested output must be between 200 Lms/ft and 950 Lms/ft. Additional drivers and light levels are available - please consult factory for details and lead-time.
- Not all ceiling types are shown; consult factory for specific ceiling types not listed.
- All lengths are nominal. Actual sizes are one inch shorter than nominal to allow easy in-grid installation. For Gypsum or Flangeless installations add 1 inch to overall fixture length. Refer to submittal drawings for actual sizes. See "Mounting" details for example.
- Not all dimming options available for every length; please consult factory for specific details.
- For configurable runs specify length to nearest inch. Standard runs ship in 12ft increments. Specify 8ft increments if 12ft are too large to receive. Additional charges may apply; please consult factory for details.
- 347V is achieved using remote transformer.
- FifthLight DALI is achieved using digital analog converter.
- Battery pack options are not available in every length; please consult factory for specific details. Battery pack is remote installation only.
- For all options; consult factory for specific requirements.
- Asymmetric lens is not available as standard product on regressed housing RDR.
- Standard product is configured with snap-in lens end caps at the beginning and end of a run or individual fixture. End caps are provided for ease of installation and removal of the lens and eliminate light leak from the end of the fixture when flush satin lens is selected. Please contact factory if lens end-caps are not desired as alternate configurations are available.
- Integrated LumaWatt Pro Sensor available as standard product in 4ft, 8ft, and 12ft configurations. Continuous runs and alternate lengths are available. Please consult factory for details. One sensor for every 8ft of fixture length. Standard configurations include Universal voltage, single circuit and 'DD' driver selection. Not available with regressed housing or emergency options.
- Lutron A series drivers are available in light levels LO and 1. For Light level 2, a Lutron TVI is used in conjunction with a DD driver. When a TVI is used, the dimensions of the fixture will be slightly larger on the back side to accommodate the TVI.