

DESCRIPTION

The Define series by Neo-Ray characterizes the ultimate in minimalist simplicity by providing clean, uniform lines of illumination in virtually any architectural environment. Powered by Eaton's most advanced linear LED technology, the Define series delivers outstanding efficacy in a variety of profile widths. 2", 3", 4" and 5" luminaire widths are all specifiable to the nearest foot as standard product and can be fitted with flush, regress and drop lensing. Custom corners and transitions are also available. Robust construction and adaptable, modular components make installation simple and ensure laser straight runs.

Catalog #		Type
Project		
Comments		Date
Prepared by		

SPECIFICATION FEATURES

Construction

Housing extruded from 6063 aluminum. Nominal 2' -12' illuminated sections. Used in run configuration and/or individual fixtures. All components are RoHS compliant.

Lens

Snap in lens available in flush and drop lens profiles. Snap in end clips eliminate light leak and prevent moisture and insect ingress.

Finish

Fixture housings are high reflectance white using electrostatically applied polyester powder coat paint.

Electrical

Long-life LED system coupled with electrical driver to deliver optimal performance. LED's are available in 2700K, 3000K, 3500K or 4000K with a typical CRI ≤ 85. Projected life is 153,000 hours at >79% lumen output. Electronic drivers are available for 120-277V applications. Fixtures and electrical components certified to UL and CUL standards. Fixtures are damp location listed.

Controls

Equipped standard with a 0-10V continuous dimming driver compatible with most standard dimming devices (refer to website for specific compatibility reference).

Combine with FifthLight DALI and other energy saving products like sensors, daylighting controls and building management systems to maximize energy savings.

Mounting

Suspended.

Pendant with single aircraft cable and circular canopy. Standard length of canopy is 48".

Warranty

Five year warranty.



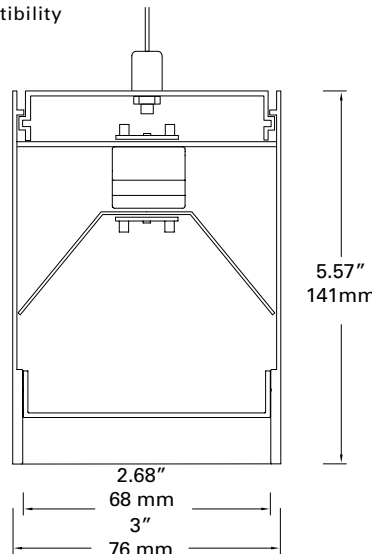
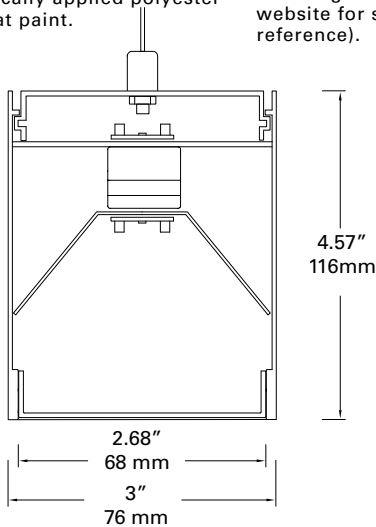
Define 3

Pendant

LED

Direct / Indirect

CERTIFICATION DATA
cULus - 1598
Damp Location Listed
LM79/LM80 Compliant
RoHS Compliant
Lumawatt Pro Wireless



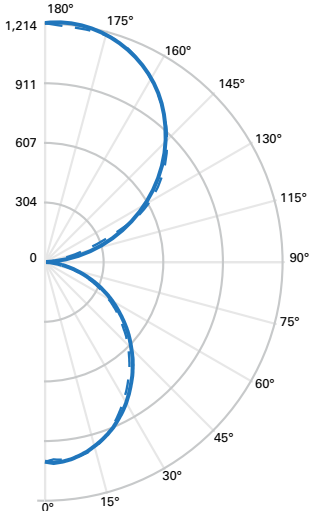
ORDERING INFORMATION

Sample Number: S123DIP-U1-235-SC120-ETG0048-1D-UDD-1-NA-W-SV

SERIES	LIGHT DISTRIBUTION	LIGHT LEVEL UP ¹	LIGHT LEVEL DOWN ¹	COLOR TEMP	MOUNTING CABLE LENGTH	CEILING TYPE ²	LENGTH ³ >>
S123 = Define 3	DIP = Direct / Indirect Pendant RDIP = Regressed Direct / Indirect Pendant	-ULO = Light Level ULO 457 Lm/Ft* -U1 = Light Level U1 887 Lm/Ft* -U2 = Light Level U2 1282 Lm/Ft* <small>See page 2 for lumen output *Tested with no lens up</small>	-LO = Light Level LO 338 Lm/Ft* -1 = Light Level 1 658 Lm/Ft* -2 = Light Level 2 944 Lm/Ft* <small>See page 2 for lumen output *Tested with satin lens down</small>	27 = 2700K 30 = 3000K 35 = 3500K 40 = 4000K	-SC48 = 48" (std) Adjustable Cable -SC120 = 120" Adjustable Cable -SC240 = 240" Adjustable Cable	-ETG = 15/16" Flat T-Grid -FTG = 9/16" Flat T-Grid -ITG = 9/16" Interlude T-Grid -STG = 9/16" Slot T-Grid -JB = Gypsum board -ST = Structure	0024 = 2' Individual ⁴ 0048 = 4' Individual 0072 = 6' Individual 0096 = 8' Individual 0144 = 12' Individual XXXX = Configurable Run ⁵
CIRCUITING	CIRCUIT TYPE	VOLTAGE	LED DRIVER	SHIELDING DOWN	SHIELDING UP	COLOR	OPTIONS ⁹
-1 = Single Circuit -2 = Dual Circuit	D = Dimming (std) C = Non-Dimming B = Battery Pack ⁸ E = Emergency G = Bodine GTD	-1 = 120V -2 = 277V -U = Universal 120V-277V -3 = 347V ⁶	ED = Non-Dimming DD = 0-10V Dimming (std) HCD = 1% 0-10V Dimming 5L = DALI Dimming ⁷	-1 = Satin White Diffuser -3 = Asymmetric Flush -4 = Satin Drop Diffuser	-NA = No Lens (standard) -5 = Satin White Diffuser	-W = Matte White -S = Silver -B = Black -C = Custom Color	SVPD1 = Integrated Sensor ¹³ LWIPD1 = Lumawatt Pro Wireless Integral Sensor ¹³ -90 = 90-CRI (Lower Lumens) -R = GLR Fast Fusing -F = GMR Slow Fusing

Notes:
* See page 4 for specific notes

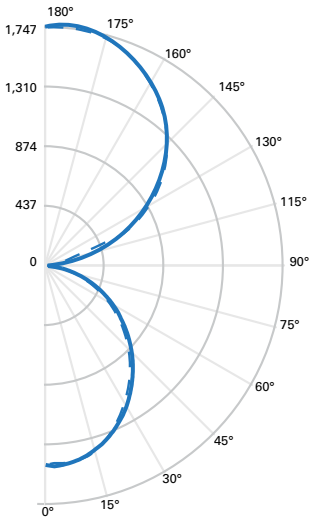
Photometric Data - All data certified to LM-79 standards in a NAVLAB approved testing facility



Filename: S123DIP-U1-135-SC48-SR0048-1D-UDD-1-NA-W
 Test Number: P27888
 Lumens: 6183.0 Lms
 Watts: 52 W
 LPW: 118.9 Lm/W
 CCT: 3500K

ZONAL LUMEN STUDY		
Zone	Lumens	% Fixture
0-30	768	12.4
0-40	1236	20.0
0-60	2118	34.3
0-90	2631	42.6
90-180	3552	57.4

LUMINANCE DATA (cd / sq.m)			
Angle	0-Deg	45-Deg	90-Deg
45	9156	3513	9066
55	8567	2592	8438
65	7834	1740	7610
75	6641	926	6152
85	4355	233	3750



Filename: S123DIP-U2-235-SC48-SR0048-1D-UDD-1-NA-W
 Test Number: P27889
 Lumens: 8902 Lms
 Watts: 80.9 W
 LPW: 110.0 Lm/W
 CCT: 3500K

ZONAL LUMEN STUDY		
Zone	Lumens	% Fixture
0-30	1103	12.4
0-40	1774	19.9
0-60	3064	34.1
0-90	3771	42.4
90-180	5131	57.6

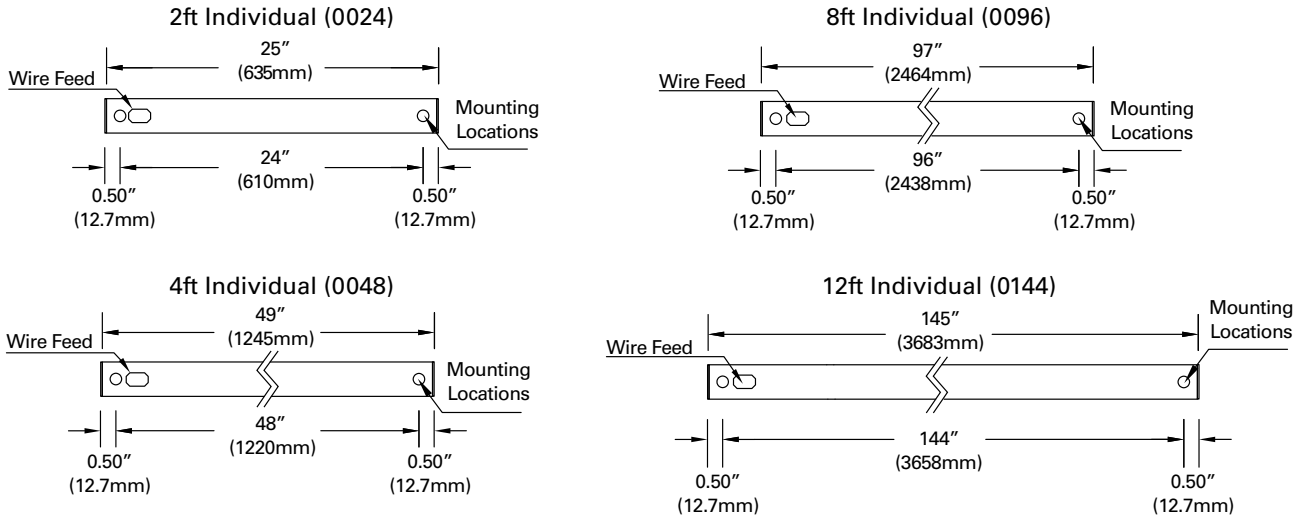
LUMINANCE DATA (cd / sq.m)			
Angle	0-Deg	45-Deg	90-Deg
45	13122	5046	12929
55	12225	3697	12023
65	11302	2479	10853
75	9533	1303	8841
85	6170	333	5444

LIGHT OUTPUT, 3500K, ≤85CRI Typical

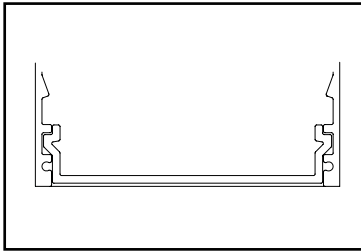
Light Level Up: U0							Light Level Up: U1							Light Level Up: U2									
Light Level	Down	Lm Total	% Dn	% Up	Lm/ft Down	Lm/ft Up	Total Watts	Light Level	Down	Lm Total	% Dn	% Up	Lm/ft Down	Lm/ft Up	Total Watts	Light Level	Down	Lm Total	% Dn	% Up	Lm/ft Down	Lm/ft Up	Total Watts
		0	3177	42.5%	57.5%	338				457	26.9	0	4899	27.6%				72.4%	338	887	38.8	0	
1	4461	59.0%	41.0%	658	457	40.1	1	6183	42.6%	57.4%	658	887	52.0	1	7761	33.9%	66.1%	658	1282	65.5			
2	5601	67.4%	32.6%	944	457	55.2	2	7323	51.5%	48.5%	944	887	67.0	2	8902	42.4%	57.6%	944	1282	80.5			

Correlation based on 4' luminaire S123DIP-U2-235-SC48-ST0048-1D-UDD-1-NA-W, Report: P27889

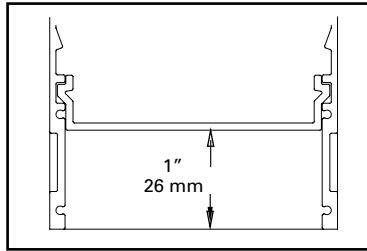
Mounting Information - Refer to installation instructions for detailed mounting information



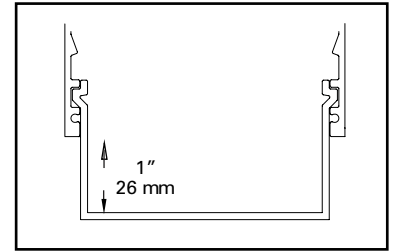
Lens Information - Direct (Downward) Lens Details



1 - Flush Satin Diffuser
Asymmetric Flush Diffuser

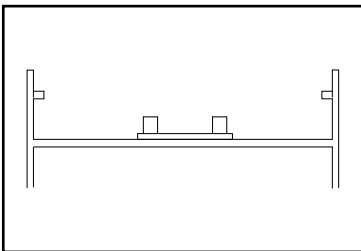


Regressed Satin Diffuser

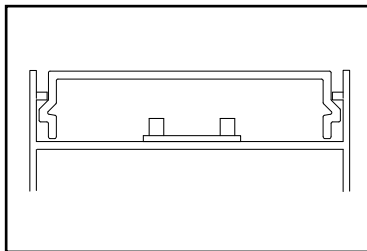


4 - Satin Drop Down Diffuser

Lens Information - Indirect (Upward) Lens Details






NA - No Diffuser (standard)



5 - Flush Satin Diffuser

INTEGRATED SENSOR DETAILS AND PLACEMENT¹³

		Sensor Series		Occupancy Technology		Sensing Technology		Coverage Pattern	
		SV	Integrated Sensor for Local Control	P	Passive Infrared	D	Dimming Daylight Harvesting (Closed Loop)	1	~144 ft ²
4ft Individual		LWI	Lumawatt Pro Wireless Integral						
8ft Individual									
12ft Individual									

NOTES

- Additional lower light levels available. Please consult factory for specific details.
- Not all ceiling types are shown; consult factory for specific ceiling types not listed.
- All lengths are nominal. Refer to submittal drawings for actual sizes.
- Not all dimming options available for every length; please consult factory for specific details.
- For configurable runs specify length to nearest foot. Standard runs ship in 12ft increments. Ensure to specify 8ft increments if 12ft are too large to receive. Additional charges may apply; please consult factory for details.
- 347V is achieved using remote transformer.
- FifthLight DALI is achieved using digital analog converter.
- Battery pack options are not available in every length; please consult factory for specific details. Battery pack is remote installation only.
- For all options; consult factory for specific requirements.
- Not available with 347V circuit.
- Asymmetric lens is not available as standard product on regressed housing RDR.
- Standard product is configured with snap-in lens end caps at the beginning and end of a run or individual fixture. End caps are provided for ease of installation and removal of the lens and eliminate light leak from the end of the fixture when flush satin lens is selected. Please contact factory if lens end-caps are not desired as alternate configurations are available.
- Integrated LumaWatt Pro Sensor available as a PDR in 4ft, 8ft, and 12ft configurations. Continuous runs and alternate lengths are also available. Please consult factory for details. One sensor for every 8ft of fixture length. Standard configurations include Universal voltage, single circuit and 'DD' driver selection. Not available with regressed housing or emergency options.