

DESCRIPTION

The Define series by Neo-Ray characterizes the ultimate in minimalist simplicity by providing clean, uniform lines of illumination in virtually any architectural environment. Powered by Eaton's most advanced linear LED technology, the Define series delivers outstanding efficacy in a variety of profile widths. 2", 3", 4" and 5" luminaire widths are all specifiable to the nearest foot as standard product and can be fitted with flush, regress and drop lensing. Custom corners and transitions are also available. Robust construction and adaptable, modular components make installation simple and ensure laser straight runs.

Catalog #		Type
Project		
Comments		Date
Prepared by		

SPECIFICATION FEATURES

Construction

Housing extruded from 6063 aluminum. Nominal 2' -12' illuminated sections. Used in run configuration and/or individual fixtures. All components are RoHS compliant.

Lens

Snap in lens available in flush and drop lens profiles. Lens end caps allow for ease of installation and eliminate light leak.

Finish

Fixture housings are high reflective white using electrostatically applied polyester powder coat paint.

Electrical

Long-life LED system coupled with electrical driver to deliver optimal performance. LED's are available in 2700K, 3000K, 3500K or 4000K with a typical CRI \leq 85. Projected life is 153,000 hours at >79% lumen output. Electronic drivers are available for 120-277V applications. Fixtures and electrical components certified to UL and CUL standards. Fixtures are damp location listed.

Controls

Equipped standard with a 0-10V continuous dimming driver compatible with most standard dimming devices (refer to

website for specific compatibility reference).

Combine with FifthLight DALI and other energy saving products like sensors, day-lighting controls and building management systems to maximize energy savings.

Mounting

Suspended.

Pendant with single aircraft cable and circular canopy. Standard length of canopy is 48".

Warranty

Five year warranty.



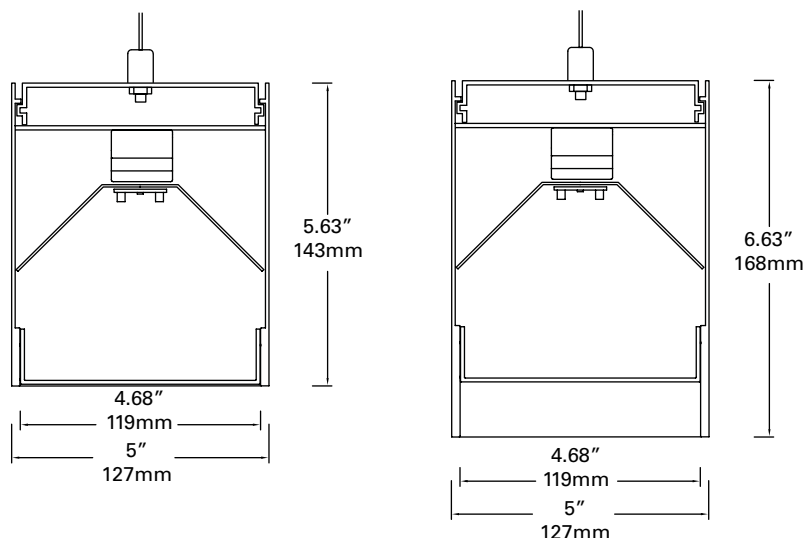
Define 5

Pendant

LED

Direct

CERTIFICATION DATA
cULus - 1598
Damp Location Listed
LM79/LM80 Compliant
RoHS Compliant
Lumawatt Pro Wireless

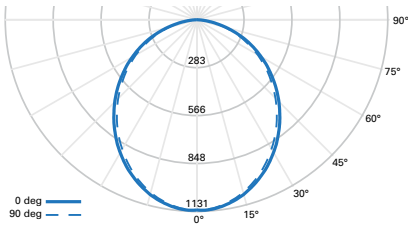


ORDERING INFORMATION

Sample Number: S125DP-235-SC48-ETG0048-1D-UDD-1-W

SERIES	LIGHT DISTRIBUTION	LIGHT LEVEL ¹	CCT	MOUNTING CABLE	CEILING TYPE ²	LENGTH ³
S125 = Define 5	DP = Direct Pendant RDP = Regressed Direct Pendant	-LO = Light Level LO (1400 Lms @ 13.6W) (350 Lumens per ft @ 3.4W) -1 = Light Level 1 (2843 Lms @ 28W) (711 Lumens per ft @ 7W) -2 = Light Level 2 (4029 Lms @ 42.6W) (1007 Lumens per ft @ 10.65W) -LC ___ = Custom Lm/Ft ¹	27 = 2700K 30 = 3000K 35 = 3500K 40 = 4000K	-SC48 = 48" (std) Adj -SC120 = 120" Adj -SC240 = 240" Adj	-ETG = 15/16" Flat T-Grid -FTG = 9/16" Flat T-Grid -ITG = 9/16" Interlude T-Grid -STG = 9/16" Slot T-Grid -JB = Junction Box -ST = Structure	0024 = 2' Individual ⁴ 0048 = 4' Individual 0096 = 8' Individual 0144 = 12' Individual XXXX = Configurable Run ⁵
CIRCUITING	CIRCUIT TYPE	VOLTAGE	LED DRIVER	SHIELDING DOWN	COLOR	OPTIONS ⁹
-1 = Single Circuit -2 = Dual Circuit	D = Dimming (std) B = Non-Dimming C = Battery Pack ^{8, 10} E = Emergency G = Bodine GTD ¹⁰	-1 = 120V -2 = 277V -U = Universal 120V-277V -3 = 347V ⁶	ED = Non-Dimming DD = 0-10 Volt Dimming, 10% HCD = 0-10 Volt Dimming, 1% 5L = DALI Dimming ^{7, 10} LUE = Lutron A-Series w/eco ¹⁴ LUL = Lutron A-Series w/3W ¹⁴	-1 = Satin White Diffuser -3 = Asymmetric Flush Optic ¹¹ -4 = Satin Drop Diffuser	-W = Matte White -S = Silver -B = Black -C = Custom Color	-SVPD1 = Integrated Sensor -LWIPD1 = Lumawatt Pro Wireless Integral Sensor ¹³ -VCR = Vertical Corner -HCR = Horizontal Corner -90 = 90-CRI (Lower Lumens) -R = GLR Fast Fusing -F = GMR Slow Fusing

Photometric Data - All data certified to LM-79 standards in a NAVLAB approved testing facility



FILE NAME: S125DP-135-X-X0048-1D-UDD-1-W

CCT: 3500K

LUMENS: 2843 Lms

WATTS: 27.8 W

LPW: 102 LPW

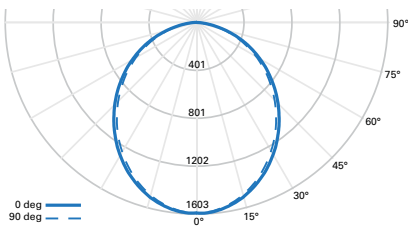
TEST NUMBER: P231705

ZONAL LUMENS SUMMARY

Zone	Lumens	% Fixture
0°-30°	840	29.5
0°-40°	1344	47.3
0°-60°	2287	80.4
0°-90°	2843	100.0

LUMINANCE DATA (cd/M²)

Vertical Angle	0°	45°	90°
45	6710	6501	6302
55	6284	6039	5842
65	5780	5497	5281
75	4842	4597	4434
85	3473	3393	3393



FILE NAME: S125DP-235-X-X0048-1D-UDD-1-W

CCT: 3500K

LUMENS: 4029 Lms

WATTS: 42.6 W

LPW: 94.5 LPW

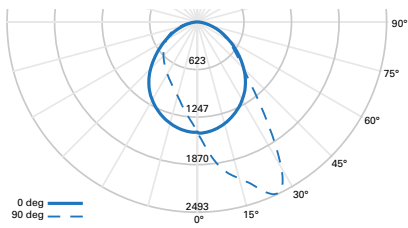
TEST NUMBER: P33923

ZONAL LUMENS SUMMARY

Zone	Lumens	% Fixture
0°-30°	1190	29.5
0°-40°	1904	47.3
0°-60°	3241	80.4
0°-90°	4029	100.0

LUMINANCE DATA (cd/M²)

Vertical Angle	0°	45°	90°
45	9509	9212	8931
55	8905	8557	8279
65	8191	7789	7483
75	6860	6515	6283
85	4919	4806	4806



FILE NAME: S125DP-235-X-X0048-1D-UDD-3-W

CCT: 3500K

LUMENS: 3938 Lms

WATTS: 38 W

LPW: 103.6 LPW

TEST NUMBER: G2-1612-022-3

ZONAL LUMENS SUMMARY

Zone	Lumens	% Fixture
0°-30°	1234	31.3
0°-40°	2006	50.9
0°-60°	3267	83.0
0°-90°	3938	100.0

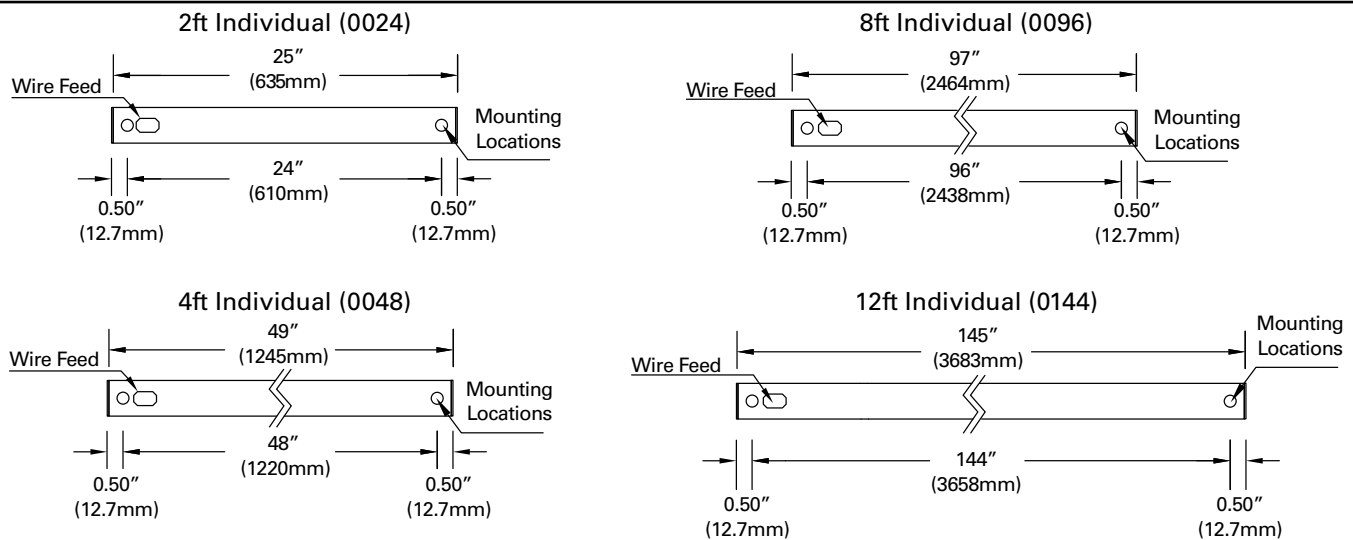
CANDELA DISTRIBUTION (cd)

Vertical Angle	0°	90°	180°	270°
0°	1449	1449	1449	1449
10°	1430	1973	1420	1121
20°	1332	2321	1325	917
25°	1264	2493	1259	846
30°	1185	2221	1181	787
40°	990	1139	986	677
50°	740	682	728	575
60°	490	454	478	466
70°	281	275	263	332
80°	104	275	93	151
90°	0	0	0	0

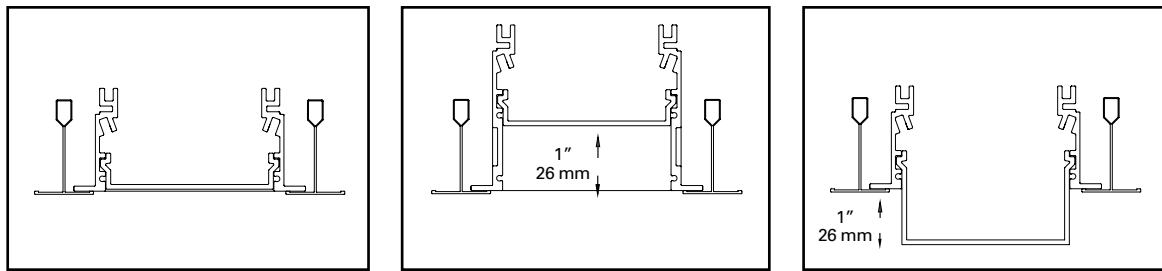
LUMEN MAINTENANCE

Ambient Temperature	TM-21 Lumen Maintenance (100,000 hours)	Theoretical L70 (Hours)
25°C	84.29%	131,000

Mounting Information - Refer to installation instructions for detailed mounting information



Lens Information - Lens Details



Satin Flush Diffuser
Asymmetric Flush Diffuser

Regressed Satin Diffuser

Satin Drop Down Diffuser

INTEGRATED SENSOR DETAILS AND PLACEMENT¹³

	Sensor Series	Occupancy Technology		Sensing Technology		Coverage Pattern	
		P	Passive Infrared	D	Dimming Daylight Harvesting (Closed Loop)	1	~144 ft ²
4ft Individual	SV	P	Passive Infrared	D	Dimming Daylight Harvesting (Closed Loop)	1	~144 ft ²
8ft Individual	LWI						
12ft Individual							

NOTES

- Additional lower light levels are available depending on fixture length. For the HCD driver, the requested output must be between 225 Lms/ft and 1030 Lms/ft. Additional drivers and light levels are available - please consult factory for details and lead-time.
- Not all ceiling types are shown; consult factory for specific ceiling types not listed.
- All lengths are nominal. Refer to submittal drawings for actual sizes.
- Not all dimming options available for every length; please consult factory for specific details.
- For configurable runs specify length to nearest foot. Standard runs ship in 12ft increments. Ensure to specify 8ft increments if 12ft are too large to receive. Additional charges may apply; please consult factory for details.
- 347V is achieved using remote transformer.
- FifthLight DALI is achieved using digital analog converter.
- Battery pack options are not available in every length; please consult factory for specific details. Battery pack is remote installation only.
- For all options; consult factory for specific requirements.
- Not available with 347V circuit.
- Asymmetric lens is not available as standard product on regressed housing RDR.
- Standard product is configured with snap-in lens end caps at the beginning and end of a run or individual fixture. End caps are provided for ease of installation and removal of the lens and eliminate light leak from the end of the fixture when flush satin lens is selected. Please contact factory if lens end-caps are not desired as alternate configurations are available.
- Integrated LumaWatt Pro Sensor available as a PDR in 4ft, 8ft, and 12ft configurations. Continuous runs and alternate lengths are also available. Please consult factory for details. One sensor for every 8ft of fixture length. Standard configurations include Universal voltage, single circuit and 'DD' driver selection. Not available with regressed housing or emergency options.
- Lutron A series drivers are available in light levels LO and 1. For Light level 2, a Lutron TVI is used in conjunction with a DD driver. When a TVI is used, the dimensions of the fixture will be slightly larger on the back side to accommodate the TVI.