

## DESCRIPTION

The Define series by Neo-Ray characterizes the ultimate in minimalist simplicity by providing clean, uniform lines of illumination in virtually any architectural environment. Powered by Eaton's most advanced linear LED technology, the Define series delivers outstanding efficacy in a variety of profile widths. 1", 2", 3", 4" and 5" luminaire widths are all specifiable to the nearest inch in length and can be fitted with standard flush, regress and drop lensing. In wall corners and wall to ceiling transitions can all be ordered as standard components and blend seamlessly into the most complex architectural spaces. Custom transitions are also available. Robust construction and adaptable, modular components make installation simple and ensure laser straight runs.

## SPECIFICATION FEATURES

### Construction

Housing trim extruded from 6063 aluminum. Nominal 2' -12' illuminated sections. Used in run configuration and/or individual fixtures. All components are RoHs compliant.

### Lens

Snap in lens available in flush and drop lens profiles. Lens end caps allow for ease of installation and eliminate light leak.

### Finish

Fixture housing trims are high reflective white using electrostatically applied polyester powder coat paint.

### Mounting

Recessed.

### Electrical

Long-life LED system coupled with electrical driver to deliver optimal performance. LED's are available in 2700K, 3000K, 3500K or 4000K with a typical CRI  $\leq$  85. Projected life is 131,000 hours at L70. Electronic drivers are available for 120-277V applications. Fixtures and electrical components certified to UL and CUL standards. Fixtures are damp location listed and IC rated. For Chicago plenum, specify CP in fixture options.

### Controls

Equipped standard with a 0-10V continuous dimming driver compatible

with most standard dimming devices (refer to website for specific compatibility reference). Combine with FifthLight DALI and other energy saving products like sensors, daylighting controls and building management systems to maximize energy savings.

### Warranty

Five year warranty.

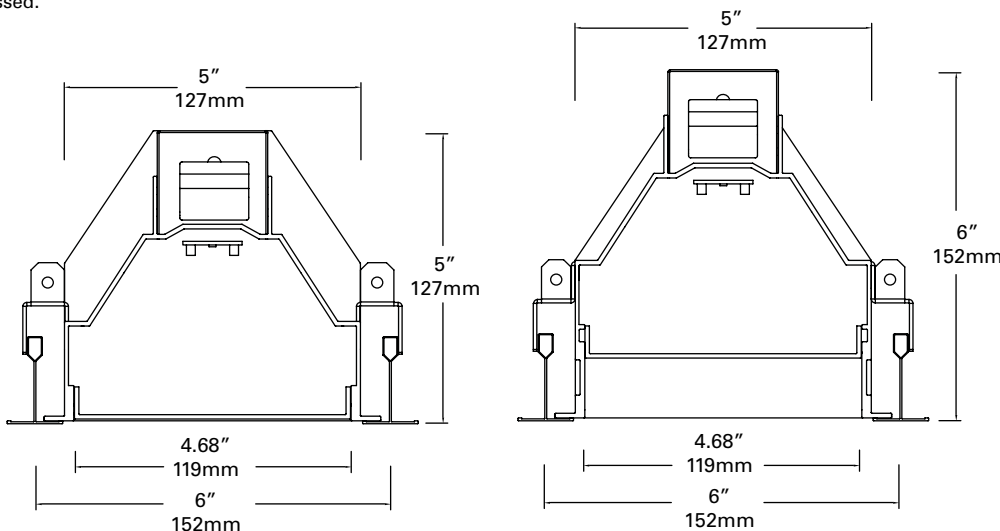


## DEFINE 5

LED

Recessed  
Direct

cULus - 1598  
Damp Location Listed  
LM79/LM80 Compliant  
ROHS Compliant  
Lumawatt Pro Wireless  
6" TechZone Compatible



## ORDERING INFORMATION

Sample Number: S125-DR-2-35-ETG-0048-1-U-DD-1-W

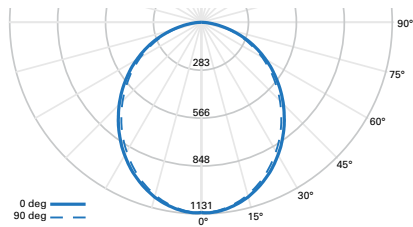
Series	Light Distribution	Light Level <sup>1</sup>	CCT	Ceiling Type <sup>2</sup>	Length <sup>3</sup>	
S125 = Define 5 QS-S125 = Define 5 Quick Ship	-DR = Direct Recessed -RDR = Regressed Direct Recessed	-LO = Light Level LO (1400 Lms @ 13.6W) (350 Lumens per ft @ 3.4W) -1 = Light Level 1 (2843 Lms @ 28W) (711 Lumens per ft @ 7W) -2 = Light Level 2 (4029 Lms @ 42.6W) (1007 Lumens per ft @ 10.65W) -LC = Custom Lm/Ft <sup>1</sup>	-27 = 2700K -30 = 3000K -35 = 3500K -40 = 4000K	-ETG = 15/16" T-Grid -FTG = 9/16" T-Grid -STG = 9/16" Slot T-Grid -ETT = 15/16" Tegular T-Grid -FTT = 9/16" Tegular T-Grid -GYP = Gypsum board -FSR = "Flangeless" Gypsum Board -FES = "Finished" Extruded Side	-0024 = 2' Individual <sup>4</sup> -0036 = 3' Individual <sup>4</sup> -0048 = 4' Individual -0072 = 6' Individual -0096 = 8' Individual -0144 = 12' Individual -XXXX = Configurable Run <sup>5</sup>	
Circuiting	Voltage	Integral LED Driver	Emergency Options	Options <sup>9</sup>	Shielding	Color
-1 = Single Circuit -2 = Dual Circuit	-1 = 120V -2 = 277V -U = Universal 120V-277V -3 = 347V <sup>6</sup>	-ED = Non-Dimming -DD = 0-10 Volt Dimming, 10% -HCD = 0-10 Volt Dimming, 1% -5L = DALI Dimming <sup>7</sup> -LUE = Lutron A-Series w/eco sys <sup>13</sup> -LUL = Lutron A-Series w/3W dim <sup>13</sup>	-B = Battery Pack <sup>8</sup> -E = Emergency -T = Transfer Switch	-CP = Chicago Plenum -SVPD1 = Integrated Sensor -LWIPD1 = Lumawatt Pro Wireless Integral Sensor <sup>12</sup>	-1 = Satin Flush Diffuser <sup>11</sup> -3 = Asymmetric Flush Optic <sup>10</sup> -4 = Satin Drop Diffuser	-W = Matte White -S = Silver -B = Black -C = Custom Color

Grey bar denotes available Quick ship options.



See page 5 for Technical Notes.  
Specifications and dimensions subject to change without notice.  
See additional information on the following pages.

All data certified to LM-79 standards in a NAVLAB approved testing facility



**FILE NAME: S125-DR-1-35-ETG-0048-1-U-DD-1-W**

**CCT: 3500K**

**LUMENS: 2843 Lms**

**WATTS: 27.8 W**

**LPW: 102 LPW**

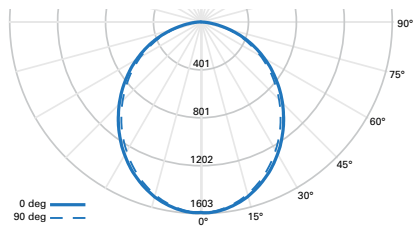
**TEST NUMBER: P231705**

**ZONAL LUMENS SUMMARY**

Zone	Lumens	% Fixture
0°-30°	840	29.5
0°-40°	1344	47.3
0°-60°	2287	80.4
0°-90°	2843	100.0

**LUMINANCE DATA (cd/M<sup>2</sup>)**

Vertical Angle	0°	45°	90°
45	6710	6501	6302
55	6284	6039	5842
65	5780	5497	5281
75	4842	4597	4434
85	3473	3393	3393



**FILE NAME: S125-DR-2-35-ETG-0048-1-U-DD-1-W**

**CCT: 3500K**

**LUMENS: 4029 Lms**

**WATTS: 42.6 W**

**LPW: 95 LPW**

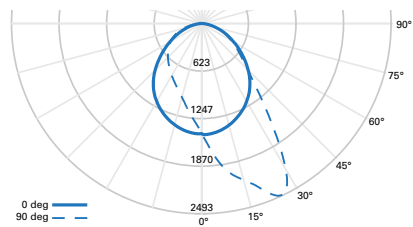
**TEST NUMBER: P231709**

**ZONAL LUMENS SUMMARY**

Zone	Lumens	% Fixture
0°-30°	1190	29.5
0°-40°	1904	47.3
0°-60°	3241	80.4
0°-90°	4029	100.0

**LUMINANCE DATA (cd/M<sup>2</sup>)**

Vertical Angle	0°	45°	90°
45	9509	9212	8931
55	8905	8557	8279
65	8191	7789	7483
75	6860	6515	6283
85	4919	4806	4806



**FILE NAME: S125-DR-2-35-ETG-0048-1-U-DD-3-W**

**CCT: 3500K**

**LUMENS: 3938 Lms**

**WATTS: 38 W**

**LPW: 103.6 LPW**

**TEST NUMBER: G2-1612-022-3**

**ZONAL LUMENS SUMMARY**

Zone	Lumens	% Fixture
0°-30°	1234	31.3
0°-40°	2006	50.9
0°-60°	3267	83.0
0°-90°	3938	100.0

**CANDELA DISTRIBUTION (cd)**

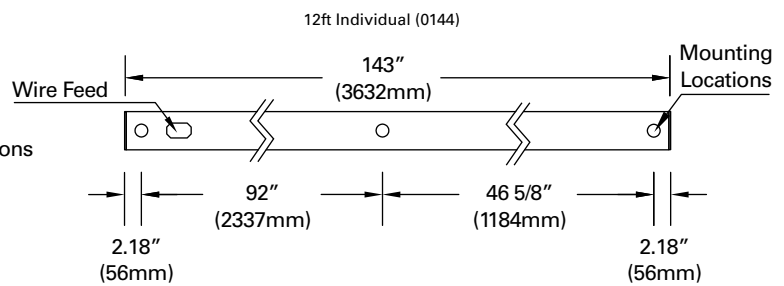
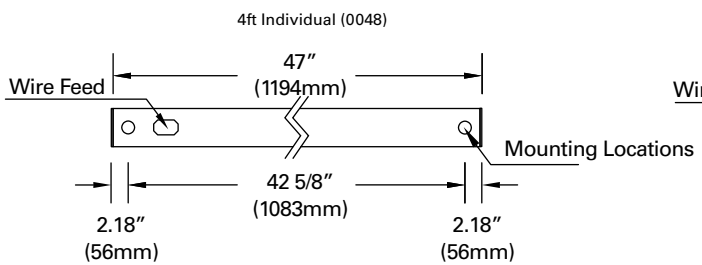
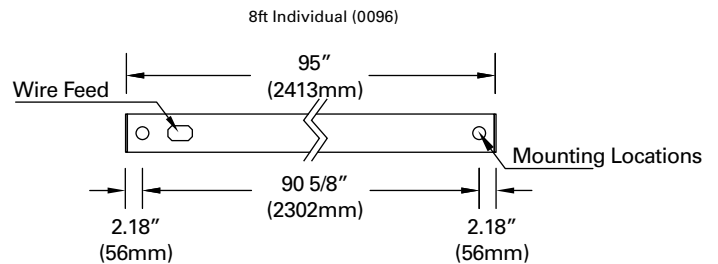
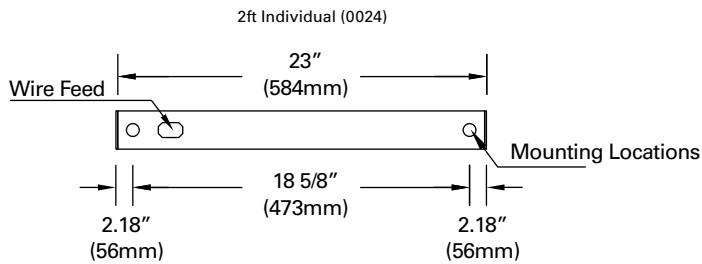
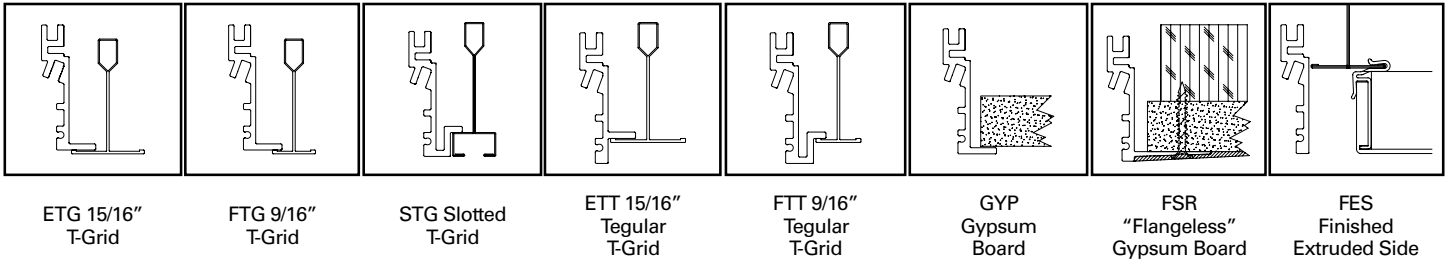
Vertical Angle	0°	90°	180°	270°
0°	1449	1449	1449	1449
10°	1430	1973	1420	1121
20°	1332	2321	1325	917
25°	1264	2493	1259	846
30°	1185	2221	1181	787
40°	990	1139	986	677
50°	740	682	728	575
60°	490	454	478	466
70°	281	275	263	332
80°	104	275	93	151
90°	0	0	0	0

**LUMEN MAINTENANCE**

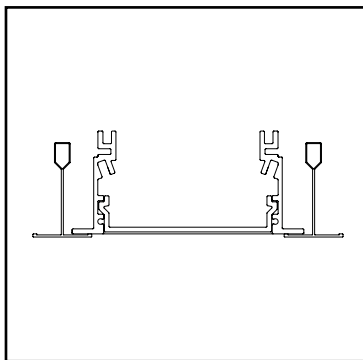
Ambient Temperature	TM-21 Lumen Maintenance (100,000 hours)	Theoretical L70 (Hours)
25°C	84.29%	131,000

**MOUNTING**

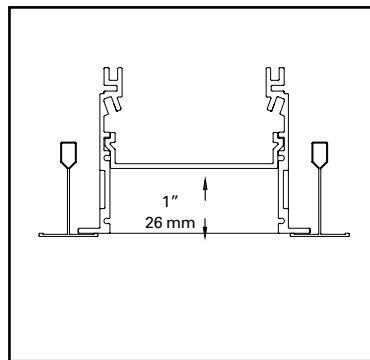
Extruded Trim Flange Details - Refer to submittal drawings for detailed flange information - for additional options consult factory.



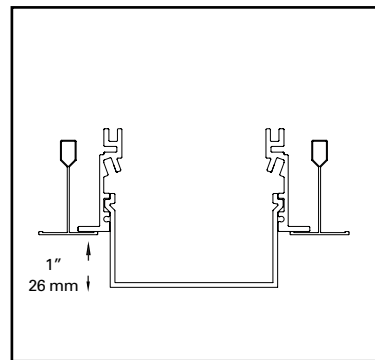
**LENS DETAIL**



Satin Flush Diffuser  
Asymmetric Flush Diffuser

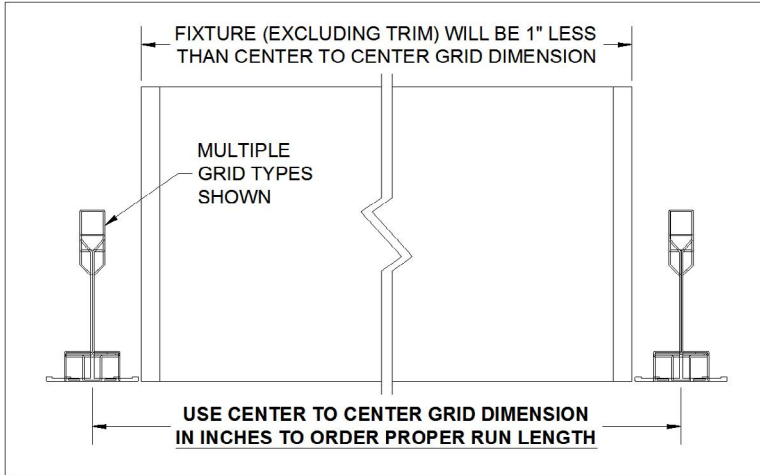


Regressed Satin Diffuser

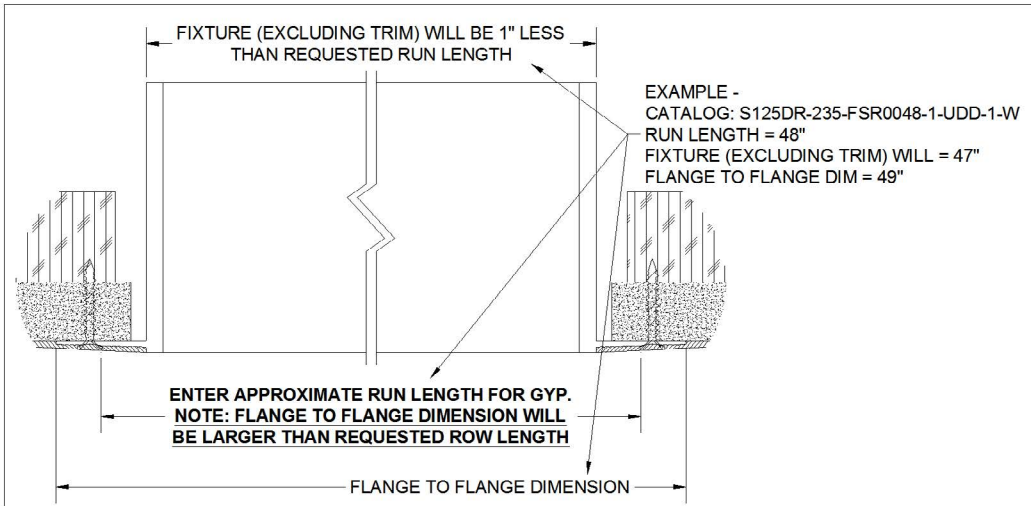


Satin Drop Down Diffuser

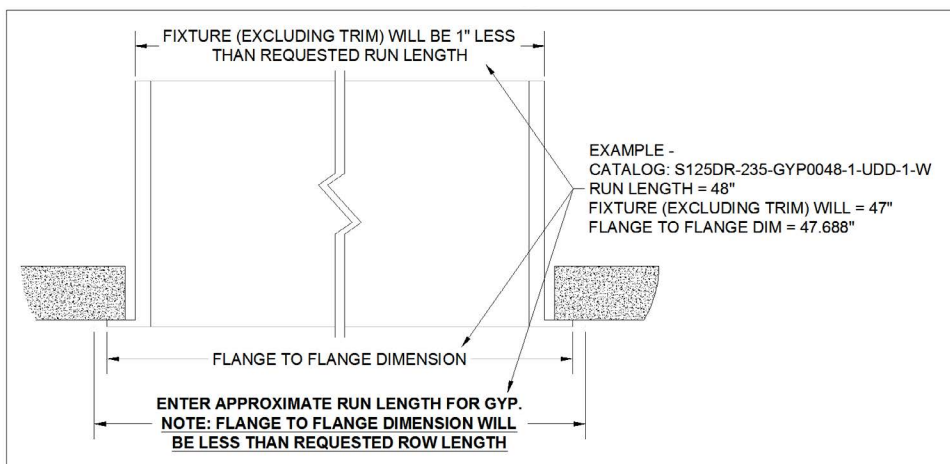
ALL GRID TYPES SHOWN



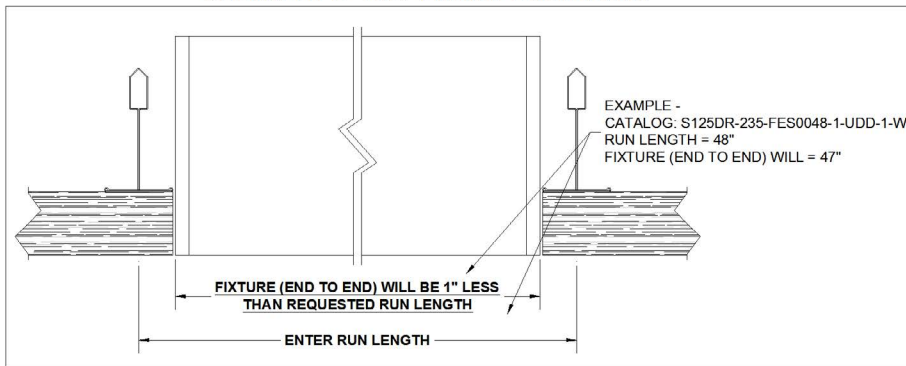
FSR: "FLANGELESS" GYPSUM BOARD



GYP: GYPSUM BOARD

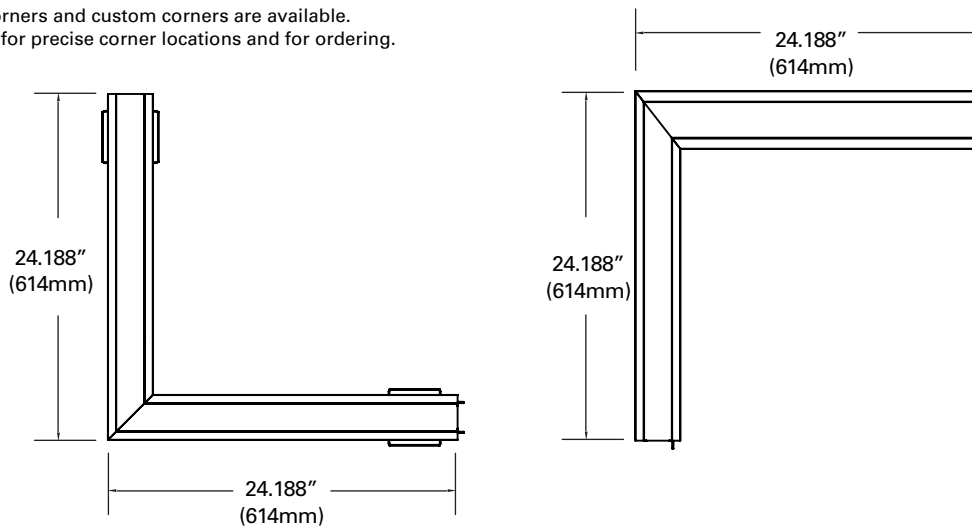


FES: "Finished" Extruded Sides



**CORNER TRANSITIONS**

Standard 90 degree corners and custom corners are available. Please consult factory for precise corner locations and for ordering.



**INTEGRATED SENSOR DETAILS AND PLACEMENT<sup>12</sup>**

	Sensor Series	Occupancy Technology		Sensing Technology		Coverage Pattern	
		P	Passive Infrared	D	Dimming Daylight Harvesting (Closed Loop)	1	~144 ft <sup>2</sup>
4ft Individual	SV	Integrated Sensor for Local Control					
8ft Individual	LWI	Lumawatt Pro Wireless Integral					
12ft Individual							

**TECHNICAL NOTES**

- Additional lower light levels are available depending on fixture length. For the HCD driver, the requested output must be between 225 Lms/ft and 1030 Lms/ft. Additional drivers and light levels are available - please consult factory for details and lead-time.
- Not all ceiling types are shown; consult factory for specific ceiling types not listed.
- All lengths are nominal. Actual sizes are one inch shorter than nominal to allow easy in-grid installation. For Gypsum or Flangeless installations add 1 inch to overall fixture length. Refer to submittal drawings for actual sizes. See "Mounting" details for example.
- Not all dimming options available for every length; please consult factory for specific details.
- For configurable runs specify length to nearest inch. Standard runs ship in 12ft increments. Specify 8ft increments if 12ft are too large to receive. Additional charges may apply; please consult factory for details.
- 347V is achieved using remote transformer.
- FifthLight DALI is achieved using digital analog converter.
- Battery pack options are not available in every length; please consult factory for specific details. Battery pack is remote installation only.
- For all options; consult factory for specific requirements.
- Asymmetric lens is not available as standard product on regressed housing RDR.
- Standard product is configured with snap-in lens end caps at the beginning and end of a run or individual fixture. End caps are provided for ease of installation and removal of the lens and eliminate light leak from the end of the fixture when flush satin lens is selected. Please contact factory if lens end-caps are not desired as alternate configurations are available.
- Integrated LumaWatt Pro Sensor available as standard product in 4ft, 8ft, and 12ft configurations. Continuous runs and alternate lengths are available. Please consult factory for details. One sensor for every 8ft of fixture length. Standard configurations include Universal voltage, single circuit and 'DD' driver selection. Not available with regressed housing or emergency options.
- Lutron A series drivers are available in light levels LO and 1. For Light level 2, a Lutron TVI is used in conjunction with a DD driver. When a TVI is used, the dimensions of the fixture will be slightly larger on the back side to accommodate the TVI.