

DESCRIPTION

The Corelite R6 small aperture linear fixture is the ultimate solution to numerous design requirements. Utilizing the Corelite engineered linear optical system the R6 delivers lumens both to the task surface yet maintains a soft luminous glow for high visual comfort. The low profile housing can be installed in most grid types including Techzone™. To further realize the design potential of the R6 series, it is available with a complete palette of lamp options, including T5, T8, & LED, and maintains dedication to shallow plenum applications with a minimal 3-3/4 in. deep housing. The R6 is perfectly suited for open offices, corridors, perimeters, or any space with stringent design or energy requirements.

SPECIFICATION FEATURES

A ... Construction

Low profile housing constructed of die-formed 20 gauge cold rolled steel with integral 20 gauge gear tray.

B ... Reflectors

Precision tooled, high reflectance sheet metal which allows for easy access to ballast compartment.

C ... Shielding

Extruded acrylic center optic with linear prisms.

D ... Electrical

Fixture equipped with proprietary Cooper LED modules rated at 3500K. Removable module features aluminum extrusion providing exceptional thermal management. Modules are driven using universal voltage switch-mode LED drivers. Fixture and modules certified to UL and CUL standards.

E ... Finish

Fixture housings are high reflectance white using electrostatically applied polyester powder coat paint.

Mounting

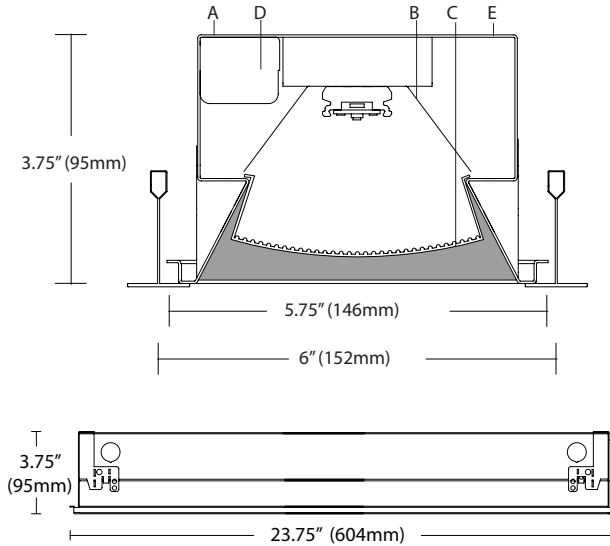
Standard flange design works with most lay-in ceiling types including Techzone™. Integral pryout tabs secure luminaire to ceiling grid from above. Fixture offers tie-in locations for tie-wire on all corners, consult local code for appropriate tie-wire recommendations.



CLASS R6 Linear Prismatic Lens

LED

6 in. x 2 ft. Recessed
3-3/4 in. Depth



ORDERING INFORMATION

Sample Number: R6-WL-2L35-1C-120V-2-T1

Series R6: Class R6 LED	Shielding L: Frosted_Prismatic	Color Temperature L30: LED, 3000K (subtract 10% from 3500K light levels) L35: LED, 3500K L40: LED, 4000K (add 10% to 3500K light levels)	Wiring ¹ C: Standard Circuit D: Dimming E: Emergency T: Nightlight Y: Daylight	Voltage ¹ 120: 120V 277: 277V 347: 347V UNV: Universal (120V-277V)	Ceiling Type T1: 1" Grid, Slot-Grid, 9/16" Tegular T9: 9/16" Grid
Reflector W: White	Light Level 1: Light Level 1 1500mA 2: Light Level 2 2000mA	Number of Circuits 1: 1 Circuit	Size 2: 6" x 2'		

Notes: 1 Not all options available. Please consult your Cooper Lighting Representative for availability.