

SPECIFICATION SHEET

JOB NAME: _____
 LOCATION: _____
 QUOTE/REF#: _____



LNT45 is a high performance flexible LED fixture designed as a neon replacement. Suitable for indoor and outdoor applications, the **LNT45** easily bends around contours and tight curves without being damaged. It allows for easy installation with its factory sealed terminators and self-locking male and female barrel connectors.

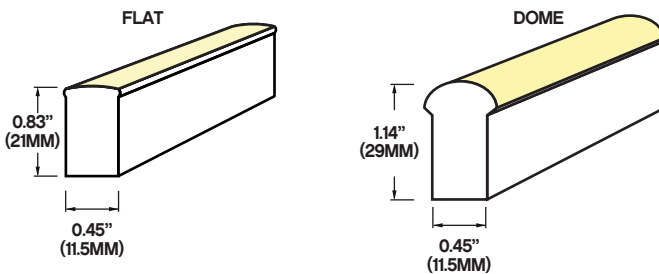
FEATURES

- High color consistency and smooth illumination
- Multiple CCT options available
- Waterproof/underwater submersible
- Available in 3 power feed options:
 Bottom, Side and End

SPECIFICATIONS

INPUT VOLTAGE	24V DC Constant Voltage
POWER CONSUMPTION	4.4W per ft.
LUMEN OUTPUT	Flat: 140Lm/ft. ; Dome: 105Lm/ft.
BEAM ANGLE	Flat: 160° ; Dome: 120°
CRI	88+
DIMMING	MLV, ELV, 0-10 and TRIAC
MAXIMUM RUN LENGTH	32 ft.
IP RATING	IP65
LUMEN MAINTENANCE	50,000 Hours
POWER FACTOR	≤ 1
OPERATING TEMPERATURE	-4°F ~ 76°F (-20°C ~ 60°C)
STORAGE TEMPERATURE	-4°F ~ 45°F (-40°C ~ 49°C)
HUMIDITY	0-95% Non Condensing
CERTIFICATIONS	UL Listed
DIMENSIONS	Width x Depth: 0.63" x 0.67"

	COLOR TEMP	CRI	LUMENS (FLAT)	LUMENS (DOME)
	2700K	88+	140	105
	3000K	88+	140	105
	3500K	88+	140	105
	4000K	88+	140	105
	5000K	88+	140	105



Standard lead wire - 36 inches
 Optional lead wire lengths available: 1ft., 3ft., 10ft., 16ft., 32ft., 50ft.

ORDERING GUIDE

EXAMPLE: LNT45-IP65EF-F-30K-24-60

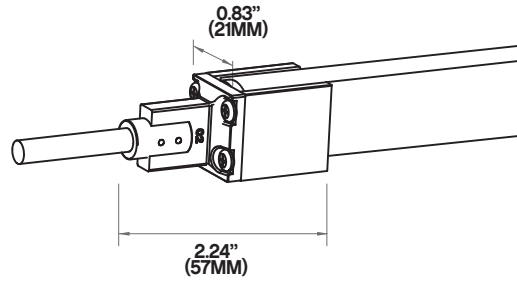
LNT45					
MODEL	POWER FEED	LENS	COLOR TEMPERATURE	VOLTAGE	LENGTH (CODE)
	HW36 - 36" Power Feed HW120 - 120" Power Feed	F - Flat D - Dome	27K - 2700K 30K - 3000K 35K - 3500K 40K - 4000K 50K - 5000K RED - RED PK - PINK GN - GREEN BL - BLUE AM - AMBER YW - YELLOW	24 - 24VDC	PLEASE REFER TO PP 4-5 FOR EXACT LENGTHS

POWER FEED OPTIONS (FLAT)

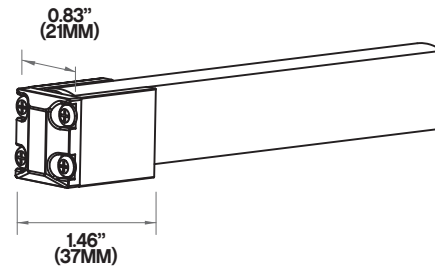
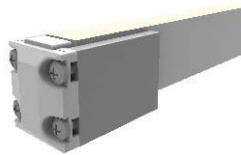
IP65EF - END FEED

IP65EF36 - 36" POWER FEED

IP65EF120 - 120" POWER FEED



IP65EC - END CAP

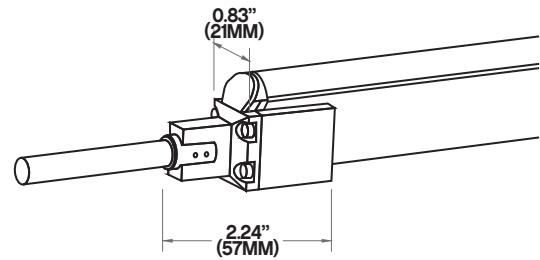
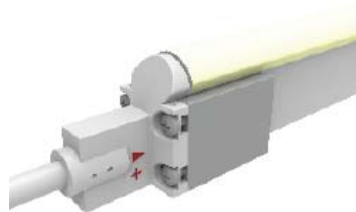


POWER FEED OPTIONS (DOME)

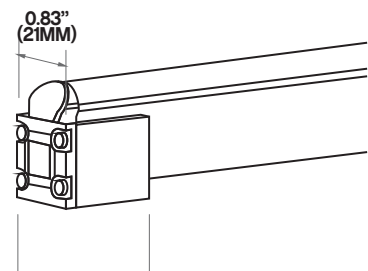
IP65EF - END FEED

IP65EF36 - 36" POWER FEED

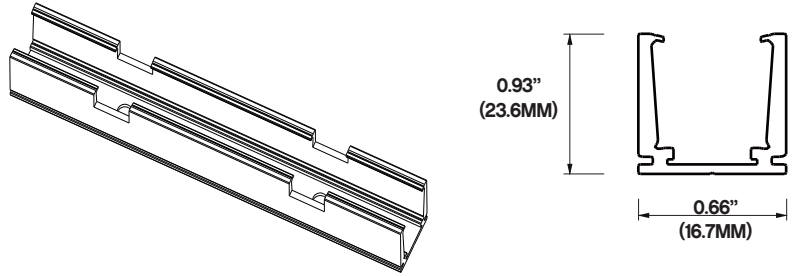
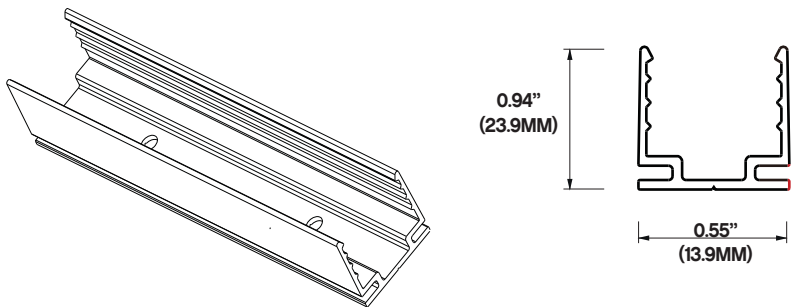
IP65EF120 - 120" POWER FEED



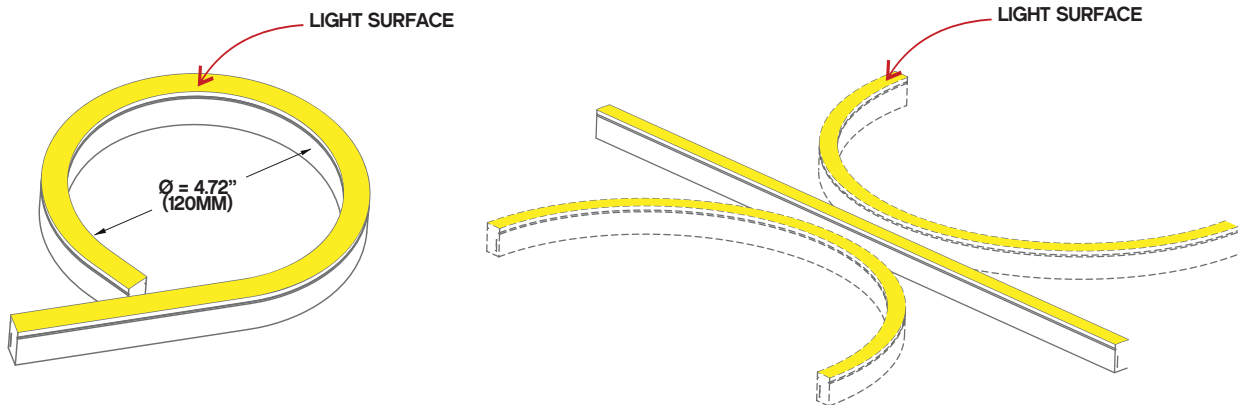
EC - END CAP



ACCESSORIES

<p>SELF LOCKING ALUMINUM PROFILE</p> <p>LNT45-AC2 2" PROFILE LNT45-AC39 39" PROFILE</p>	
<p>PLASTIC PROFILE</p> <p>LNT45-PC39 39" PROFILE</p>	

BEND RADIUS



NOTE:

Light only bends **SIDEWAYS**, along horizontal axis.
 Bending the LED strip sideways (perpendicular) to the light surface risks damage to the LED strip.
 Do **NOT** bend the LED strip more than the indicated bend radius (shown above). Doing so will damage the LED strip.

LNT-45 4.4W IP65 NEON SERIES LED STRIP



LNT45 Series is cuttable every **3.94" (10CM)**. Please refer to chart below to determine actual lengths once LED is cut versus actual lengths required or specified.

Total Length Calculation = **order code length + end feed option length**
 example: **60.8"** total length = **order code 60 (59.05" + 1.97" - End Feed Option)**

Optional lead wire lengths available: **3ft., 10ft., 16ft., 32ft., 50ft.**

POWER FEED OPTION	LENGTH
END FEED	1.97"
BOTTOM FEED	1.65"
SIDE FEED	1.65"

CUTTING LENGTH INCREMENT TABLE

CODE	LENGTH IN CM	LENGTH IN INCHES	CODE	LENGTH IN CM	LENGTH IN INCHES
4	10	3.94	136	340	133.86
8	20	7.87	140	350	137.79
12	30	11.81	144	360	141.73
16	40	15.75	148	370	145.67
20	50	19.68	152	380	149.61
24	60	23.62	156	390	153.54
28	70	27.56	160	400	157.48
32	80	31.50	164	410	161.42
36	90	35.43	168	420	165.35
40	100	39.37	172	430	169.29
44	110	43.31	176	440	173.23
48	120	47.24	180	450	177.16
52	130	51.18	184	460	181.10
56	140	55.12	188	470	185.04
60	150	59.05	192	480	188.98
64	160	63.00	196	490	192.91
68	170	66.93	200	500	196.85
72	180	70.87	204	510	200.79
76	190	74.80	208	520	204.72
80	200	78.74	212	530	208.66
84	210	82.68	216	540	212.60
88	220	86.61	220	550	216.53
92	230	90.55	224	560	220.47
96	240	94.49	228	570	224.41
100	250	98.43	232	580	228.35
104	260	102.36	236	590	232.28
108	270	106.29	240	600	236.22
112	280	110.24	244	610	240.16
116	290	114.17	248	620	244.10
120	300	118.11	252	630	248.03
124	310	122.05	256	640	251.97
128	320	125.98	260	650	255.91
132	330	129.92	264	660	259.84

CUTTING LENGTH INCREMENT TABLE

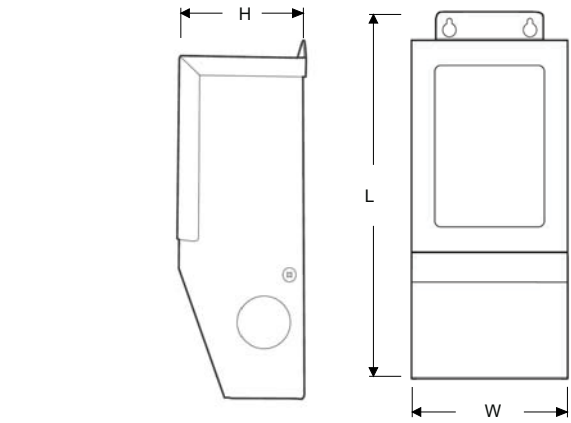
CODE	LENGTH IN CM	LENGTH IN INCHES
268	670	263.78
272	680	267.72
276	690	271.65
280	700	275.59
284	710	279.53
288	720	283.46
292	730	287.40
296	740	291.34
300	750	295.28
304	760	299.21
308	770	303.15
312	780	307.09
316	790	311.02
320	800	314.96
324	810	318.90
328	820	322.83
332	830	326.77
336	840	330.71
340	850	334.65
344	860	338.58
348	870	342.52
352	880	346.46
356	890	350.39
360	900	354.33
364	910	358.27
368	920	362.20
372	930	366.14
376	940	370.08
380	950	374.02
384	960	377.95
388	970	381.89
392	980	385.83
396	990	389.76
400	1000	393.70

LNT-45 4.4W IP65 NEON SERIES LED STRIP

COMPATIBLE DIMMABLE TRANSFORMERS

MAGNETIC LOW VOLTAGE (MLV)

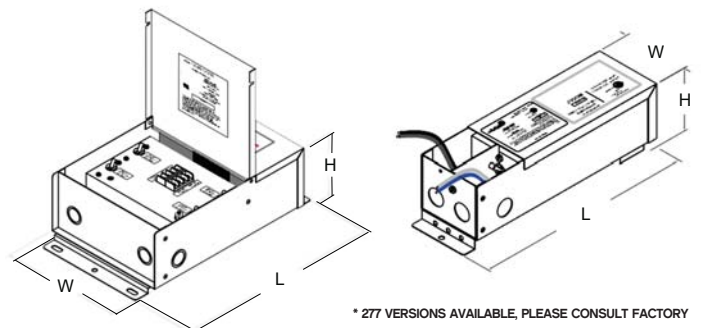
		CLASS 2	L X W X H
PSDM SERIES	PSDM-20W-12V	YES	5.6" X 2" X 2.14"
	PSDM-40W-12V	YES	5.6" X 2" X 2.14"
	PSDM-60W-12V	YES	6.5" X 2.3" X 2.5"
	PSDM-100W-12V	NO	9.8" X 3" X 3"
	PSDM-150W-12V	NO	9.8" X 3" X 3"
	PSDM-180W-12V-CL2	YES	9.8" X 3" X 3"
	PSDM-200W-12V	NO	9.8" X 3" X 3"
	PSDM-300W-12V	NO	9.8" X 4.2" X 3.5"
PSDM-300W-12V-CL2	YES	7.0" X 7.0" X 3.2"	
PSDM SERIES	PSDM-20W-24V	YES	5.6" X 2" X 2.14"
	PSDM-40W-24V	YES	5.6" X 2" X 2.14"
	PSDM-60W-24V	YES	6.5" X 2.2" X 2.5"
	PSDM-100W-24V-CL2	YES	6.5" X 2.2" X 2.5"
	PSDM-150W-24V	NO	9.8" X 3" X 3"
	PSDM-192W-24V-CL2	YES	7.0" X 7.0" X 3.2"
	PSDM-200W-24V	NO	9.8" X 3" X 3"
	PSDM-300W-24V	NO	9.8" X 4.2" X 3.5"
PSDM-288W-24V-CL2	YES	7.0" X 7.0" X 3.2"	



* 277 VERSIONS AVAILABLE, PLEASE CONSULT FACTORY

HIGH PERFORMANCE MLV

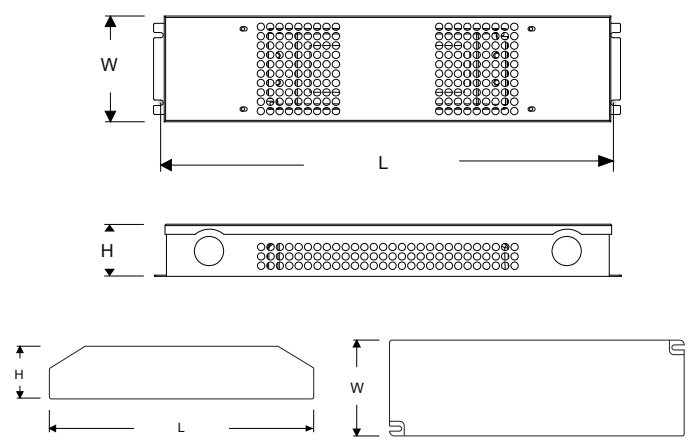
		CLASS 2	L X W X H
PSDH SERIES	PSDH-48W-24V	YES	11.25" X 3.37" X 3.25"
	PSDH-96W-24V	YES	11.25" X 3.37" X 3.25"
	PSDH-288W-24V	YES	14.25" X 8.43" X 4.43"



* 277 VERSIONS AVAILABLE, PLEASE CONSULT FACTORY

TRIAC DIMMING ELECTRONIC

		CLASS 2	L X W X H
PSDT SERIES	PSDT-20W-12V	YES	6.1" X 2.12" X 0.79"
	PSDT-20W-24V	YES	6.1" X 2.12" X 0.79"
	PSDT-40W-12V	YES	7.0" X 2.4" X 0.95"
	PSDT-40W-24V	YES	7.0" X 2.4" X 0.95"
	PSDT-60W-12V	YES	7.1" X 2.36" X 1.38"
	PSDT-60W-24V	YES	7.1" X 2.36" X 1.38"
	PSDT-96W-24V-JB	YES	9.06" X 2.76" X 1.82"
	PSDT-120W-12V-JB	NO	8.92" X 3.0" X 1.85"
	PSDT-150W-24V-JB	NO	8.92" X 3.0" X 1.85"
	PSDT-200W-24V-JB	NO	8.92" X 3.0" X 1.85"

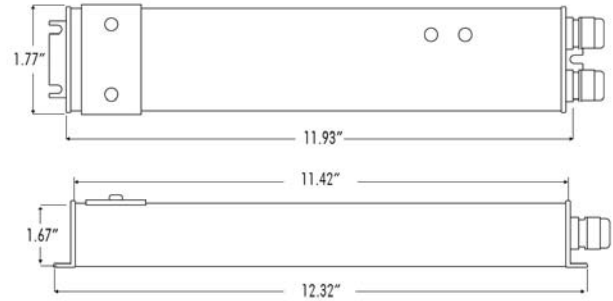


LNT-45 4.4W IP65 NEON SERIES LED STRIP

COMPATIBLE DIMMABLE TRANSFORMERS

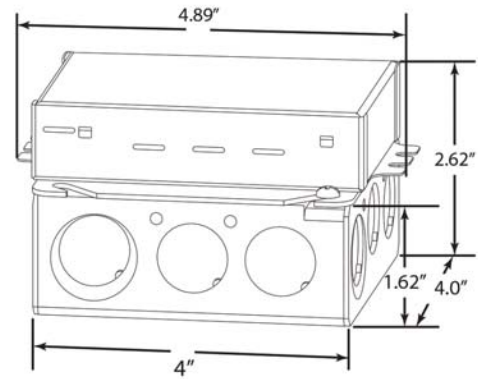
0-10 DIMMING WITH JUNCTION BOX

		CLASS 2	L X W X H
PSDE SERIES	<u>PSDE-100W-24V-010-JB</u>	YES	12.32" X 1.77" X 1.67"



LUTRON 1% DIMMING

		CLASS 2	L X W X H
2-WIRE	<u>LTEA4U1UKL-CV240</u>	YES	4.0" X 1.5" X 4.0"
3-WIRE	<u>L3DA4U1UKL-CV240</u>	YES	4.0" X 1.5" X 4.0"



LUTRON .1% DIMMING

		CLASS 2	L X W X H
PSDE SERIES	<u>PSDE-96W-24V-ECO</u>	YES	10.5" X 3.0" X 2.0"

