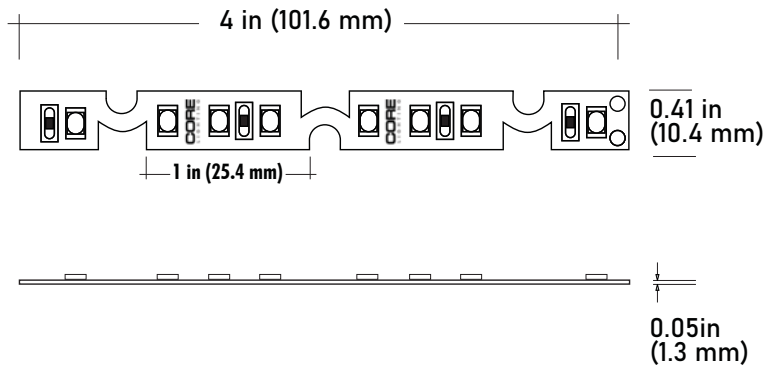


LSM-25FX 2.2 W indoor Bendable LED Strip

JOB NAME: _____
LOCATION: _____
QUOTE/REF#: _____



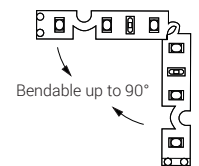
LSM-25FX series is a bendable LED strip offered in a low profile design. At 2.2 watts per foot, this LED strip delivers 185 Lumens, dimmable and field cuttable. Suitable for cove lighting, display cases, under cabinets and signage. Rated to last 50,000 hrs, this indoor LED strip is ideal for most residential and commercial application.

SPECIFICATIONS

| | |
|------------------------------|------------------------------|
| INPUT VOLTAGE | 24V DC |
| POWER CONSUMPTION | 2.2W per foot |
| LUMEN OUTPUT | 185 Lumens per foot |
| NO. OF LEDs | 27 LEDs per foot |
| BEAM ANGLE | 120° |
| CRI | 90+ |
| DIMMING | MLV, ELV, 0-10 and TRIAC |
| MAXIMUM RUN LENGTH | 30 Feet |
| FIELD CUTTABLE | Every 4 in |
| IP RATING | IP45 dry location (indoor) |
| LUMEN MAINTENANCE | 50,000 hrs. |
| OPERATING TEMPERATURE | -40°F(-40°C)~+140°F(+60°C) |
| BINNING | 1.5 Step Macadam Elipse |
| CERTIFICATIONS | UL listed, TITLE 24 JA8 |
| DIMENSIONS | 0.4" x 0.08 (width x height) |

FEATURES

- 2.2W per Foot
- 185 Lumens
- 95+ CRI
- California TITLE 24 JA8 compliant
- Field cuttable
- Suitable for accent or ambient lighting
- Multiple CCT options available
- Superior COLOR RENDERING INDEX (CRI)
- Available in 24V
- UL Listed
- Dimmable with CORE Lighting dimmable drivers



| | COLOR TEMP | CRI | LUMEN/FT |
|--|------------|-----|----------|
| | 2700K | 94 | 176 |
| | 3000K | 94 | 178 |
| | 3500K | 94 | 180 |
| | 4000K | 94 | 182 |
| | 5000K | 96 | 184 |
| | 6000K | 97 | 185 |

LSM-25FX 2.2 W indoor Bendable LED Strip

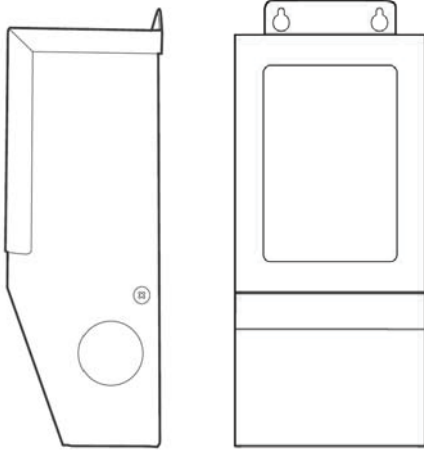
STANDARD ORDERING CODE

| Model | Color Temp | Length | Voltage |
|----------|---------------------|-----------------------|-----------------------|
| LSM-25FX | 27K 2700K | 16 16.4 Ft. | 24 24 Volts |
| | 30K 3000K | 100 100 Ft. | |
| | 35K 3500K | 1XX per Ft. | |
| | 40K 4000K | | |
| | 50K 5000K | | |
| | 60K 6000K | | |

NOTE:

- 1 =** Custom length per Ft.
12V strip cuttable every 2"
24V strip cuttable every 4"
- 2 =** Custom color finishes require powder coating. Allow 7 days lead time.

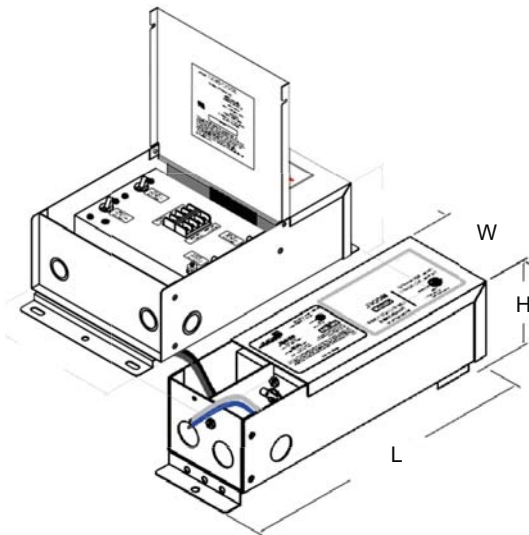
COMPATIBLE TRANSFORMERS



PSDM 24V SERIES | DIMMABLE MAGNETIC LOW VOLTAGE (MLV)

| | | |
|----------------------|---------|--------------------|
| PSDM-20W-12V | CLASS 2 | 5.6" x 2" x 2.14" |
| PSDM-40W-12V | CLASS 2 | 5.6" x 2" x 2.14" |
| PSDM-60W-12V | CLASS 2 | 6.5" x 2.3" x 2.5" |
| PSDM-100W-12V | CLASS 2 | 9.8" x 3" x 3" |
| PSDM-150W-12V | | 9.8" x 3" x 3" |
| PSDM-180W-12V | | 9.8" x 3" x 3" |
| PSDM-200W-12V | | 9.8" x 3" x 3" |
| PSDM-300W-12V | | 9.8" x 4.2" x 3.5" |
| PSDM-300W-12V | | 7.0" x 7.0" x 3.2" |

| | | |
|----------------------|---------|--------------------|
| PSDM-20W-24V | CLASS 2 | 5.6" x 2" x 2.14" |
| PSDM-40W-24V | CLASS 2 | 5.6" x 2" x 2.14" |
| PSDM-60W-24V | CLASS 2 | 6.5" x 2.3" x 2.5" |
| PSDM-100W-24V | CLASS 2 | 6.5" x 2.3" x 2.5" |
| PSDM-150W-24V | | 9.8" x 3" x 3" |
| PSDM-192W-24V | CLASS 2 | 7.0" x 7.0" x 3.2" |
| PSDM-200W-24V | | 9.8" x 3" x 3" |
| PSDM-288W-24V | CLASS 2 | 9.8" x 4.2" x 3.5" |
| PSDM-300W-24V | | 7.0" x 7.0" x 3.2" |

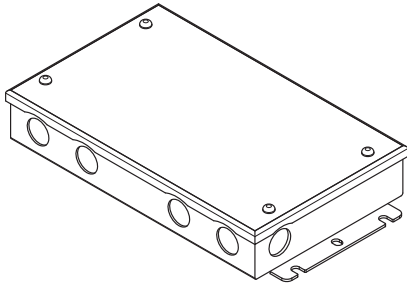


PSDH SERIES | HIGH PERFORMANCE MAGNETIC LOW VOLTAGE (MLV)

| | | |
|----------------------|---------|------------------------|
| PSDH-48W-24V | CLASS 2 | 11.25" x 3.37" x 3.25" |
| PSDH-96W-24V | CLASS 2 | 11.25" x 3.37" x 3.25" |
| PSDH-288W-24V | CLASS 2 | 14.25" x 8.43" x 4.43" |

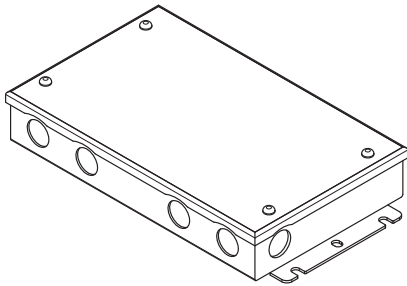
LSM-25FX 2.2 W indoor Bendable LED Strip

COMPATIBLE TRANSFORMERS



PSDL SERIES | TRIAC DIMMABLE

| | | |
|----------------------|---------|----------------------|
| PSDL-30W-24V | CLASS 2 | 6.5"x 3.63"x 1.03" |
| PSDL-60W-24V | CLASS 2 | 7.4"x 3.63"x 1.03" |
| PSDL-96W-24V | CLASS 2 | 8.67"x 3.67"x 1.62" |
| PSDL-150W-24V | CLASS 2 | 8.67"x 3.67"x 1.62" |
| PSDL-192W-24V | CLASS 2 | 10.25"x 4.06"x 1.82" |
| PSDL-200W-24V | CLASS 2 | 10.25"x 4.06"x 1.82" |
| PSDL-288W-24V | CLASS 2 | 10.25"x 4.06"x 1.82" |
| PSDL-300W-24V | CLASS 2 | 10.25"x 4.06"x 1.82" |



PSHK SERIES | NON-DIMMING W/ JUNCTION BOX

| | | |
|--------------------------|---------|------------------------|
| PSHK-30W-24V-UNV | CLASS 2 | 6.5" X 3.6" X 1.02" |
| PSHK-60W-24V-UNV | CLASS 2 | 7.4" X 3.62" X 1.02" |
| PSHK-96W-24V-UNV | CLASS 2 | 8.66" X 3.66" X 1.61" |
| PSHK-150W-24V-UNV | CLASS 2 | 10.24" X 4.06" X 1.81" |
| PSHK-200W-24V-UNV | CLASS 2 | 10.24" X 4.06" X 1.81" |
| PSHK-300W-24V-UNV | CLASS 2 | 10.94" X 4.25" X 1.81" |