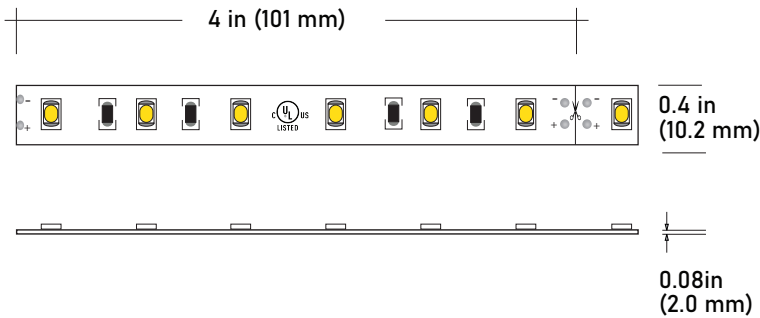


LSM-25 2.2W Indoor Flexible LED Strip

JOB NAME: _____
LOCATION: _____
QUOTE/REF#: _____



LSM-25 is a dimmable flexible LED strip capable of delivering 185 Lumens of light output per Ft. This 24V LED strip is rated to last 50,000 hours making it an excellent replacement for halogen lighting. Its innovative low profile design makes it suitable for cove lighting, under cabinets, architectural and aesthetic enhancements. Its high lumen output, excellent color rendering, and color temperature options make perfect for most commercial or residential lighting applications.

SPECIFICATIONS

INPUT VOLTAGE	24V DC
POWER CONSUMPTION	2.2W per foot
LUMEN OUTPUT	185 Lumens per foot
NO. OF LEDs	18 LEDs per foot
BEAM ANGLE	120°
CRI	90+
DIMMING	MLV, ELV, 0-10 and TRIAC
MAXIMUM RUN LENGTH	30 Feet
FIELD CUTTABLE	Every 4 in (24V)
IP RATING	IP45 dry location (indoor)
LUMEN MAINTENANCE	50,000 hrs.
OPERATING TEMPERATURE	-40°F(-40°C)~+140°F(+60°C)
BINNING	1.5 Step Macadam Elipse
CERTIFICATIONS	UL listed, TITLE 24 JA8
DIMENSIONS	0.4" x 0.08 (width x height)

FEATURES

- 2.2W per Foot
- 185 Lumens
- 90+ CRI
- California TITLE 24 JA8 compliant
- Field cuttable
- Suitable for accent or ambient lighting
- Multiple CCT options available
- Superior COLOR RENDERING INDEX (CRI)
- UL Listed
- Dimmable with CORE Lighting dimmable drivers

	COLOR TEMP	CRI	LUMEN/FT
	2700K	94	176
	3000K	94	178
	3500K	94	180
	4000K	94	182
	5000K	96	184
	6000K	97	185



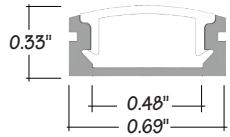
STANDARD ORDERING CODE

Model	Color Temp	Length	Voltage
LSM-25	27K 2700K	16 16.4 Ft.	24 24 Volts
	30K 3000K	100 100 Ft.	
	35K 3500K	PF per Ft.	
	40K 4000K		
	50K 5000K		
	60K 6000K		

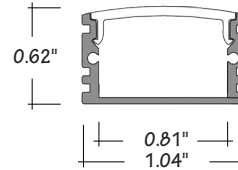
CUSTOMIZED LENGTH ORDERING CODE

Model	Color Temp	Length	Voltage	Profile
LSM-25	27K 2700K	XX Custom Length per Ft.	24 24 Volts	See pp3-4
	30K 3000K			
	35K 3500K			
	40K 4000K			
	50K 5000K			
	60K 6000K			

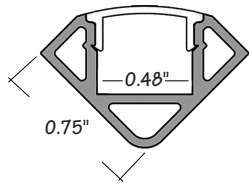
COMPATIBLE ALUMINUM PROFILES



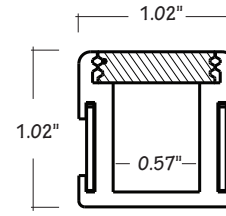
ALU-SF SURFACE MOUNT
LENGTHS 39^{3/8"}, 78^{7/8"}, 98"
LENS Clear, Frosted
FINISH Anodized Aluminum, Black



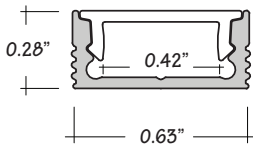
ALU-DS100 SURFACE MOUNT
LENGTHS 39^{3/8"}, 78^{7/8"}, 96"
LENS Clear and Frosted
FINISH Anodized Aluminum



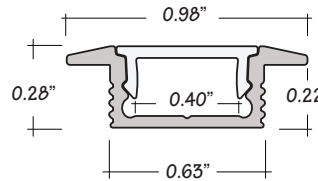
ALU-CN SURFACE / CORNER
LENGTHS 39^{3/8"}, 78^{7/8"}, 96"
LENS Clear, Frosted
FINISH Anodized Aluminum, Black



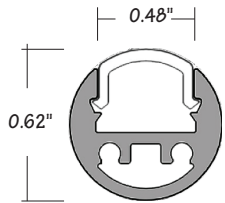
ALP-24 IN-GROUND
LENGTHS 39^{3/8"}, 78^{7/8"}
LENS Frosted
FINISH Anodized Aluminum



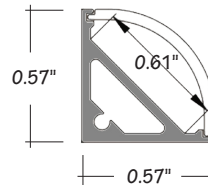
ALP-20 SURFACE MOUNT
LENGTHS 49.25", 98.5"
LENS Frosted
FINISH White | Black | Silver



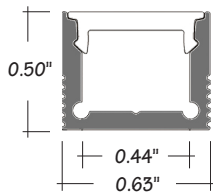
ALP-20R RECESSED MOUNT
LENGTHS 49.25", 98.5"
LENS Frosted
FINISH White | Black | Silver



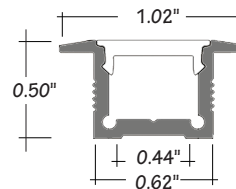
ALP-35 SURFACE MOUNT
LENGTHS 48", 96"
LENS Frosted
FINISH Anodized Aluminum



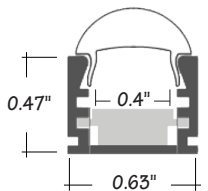
ALP-50C SURFACE / CORNER
LENGTHS 49.25", 98.5"
LENS Frosted
FINISH White | Black | Silver



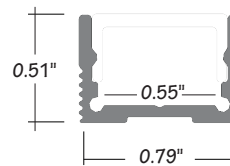
ALP-60 SURFACE MOUNT
LENGTHS 49.25", 98.5"
LENS Frosted
FINISH White | Black | Silver



ALP-60R RECESSED MOUNT
LENGTHS 49.25", 98.5"
LENS Frosted
FINISH White | Black | Silver

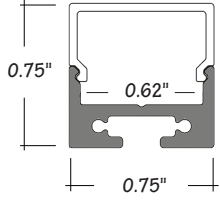


ALP-65 SURFACE MOUNT
LENGTHS 49.25", 98.5"
LENS Frosted
FINISH Anodized Aluminum
OPTICS 10°, 30° and 60°

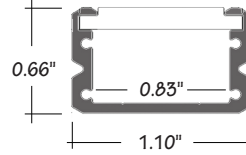


ALP-70 SURFACE MOUNT
LENGTHS 49.25", 98.5"
LENS Frosted
FINISH White | Black | Silver

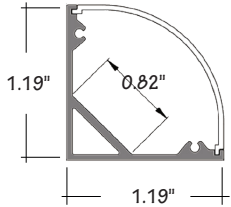
COMPATIBLE ALUMINUM PROFILES



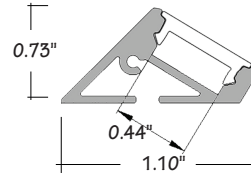
ALP-80 **SURFACE OR SUSPENDED**
LENGTHS 49.25" , 98.5"
LENS Frosted
FINISH Anodized Aluminum



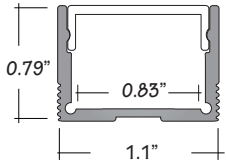
ALP-90 **SURFACE MOUNT**
LENGTHS 48" and 96"
LENS Frosted
FINISH Anodized Aluminum



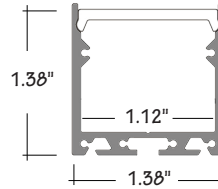
ALP-100C **SURFACE / CORNER**
LENGTHS 49.25" , 98.5"
LENS Frosted
FINISH Anodized Aluminum



ALP-110 **SURFACE MOUNT**
LENGTHS 49.25" , 98.5"
LENS Frosted
FINISH Anodized Aluminum

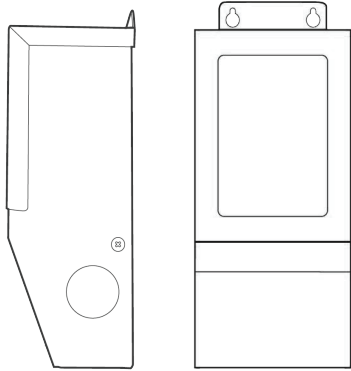


ALP-130 **SURFACE / SUSPENSION**
LENGTHS 49.25" , 98.5"
LENS Frosted
FINISH Anodized Aluminum



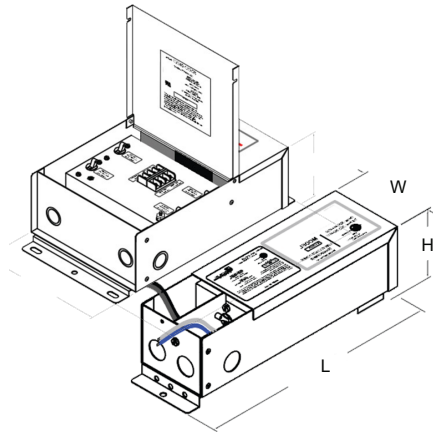
ALP-140 **SURFACE / SUSPENSION**
LENGTHS 49.25" , 98.5"
LENS Frosted
FINISH Anodized Aluminum

COMPATIBLE TRANSFORMERS



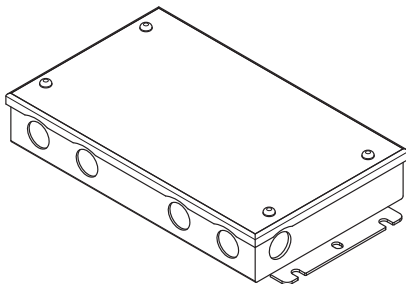
PSDM 24V SERIES | DIMMABLE MAGNETIC LOW VOLTAGE (MLV)

PSDM-20W-24V	CLASS 2	5.6" x 2" x 2.14"
PSDM-40W-24V	CLASS 2	5.6" x 2" x 2.14"
PSDM-60W-24V	CLASS 2	6.5" x 2.3" x 2.5"
PSDM-100W-24V	CLASS 2	6.5" x 2.3" x 2.5"
PSDM-150W-24V		9.8" x 3" x 3"
PSDM-192W-24V	CLASS 2	7.0" x 7.0" x 3.2"
PSDM-200W-24V		9.8" x 3" x 3"
PSDM-288W-24V	CLASS 2	9.8" x 4.2" x 3.5"
PSDM-300W-24V		7.0" x 7.0" x 3.2"



PSDH SERIES | HIGH PERFORMANCE MAGNETIC LOW VOLTAGE (MLV)

PSDH-48W-24V	CLASS 2	11.25" x 3.37" x 3.25"
PSDH-96W-24V	CLASS 2	11.25" x 3.37" x 3.25"
PSDH-288W-24V	CLASS 2	14.25" x 8.43" x 4.43"

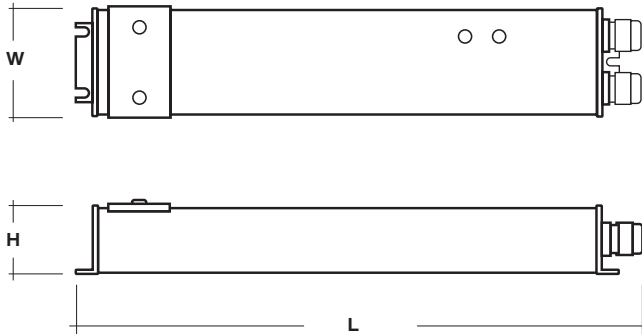


PSDL 24V SERIES | TRIAC DIMMABLE

PSDL-30W-24V	CLASS 2	6.5" x 3.63" x 1.03"
PSDL-60W-24V	CLASS 2	7.4" x 3.63" x 1.03"
PSDL-96W-24V	CLASS 2	8.67" x 3.67" x 1.62"
PSDL-150W-24V	CLASS 2	8.67" x 3.67" x 1.62"
PSDL-192W-24V	CLASS 2	10.25" x 4.06" x 1.82"
PSDL-200W-24V		10.25" x 4.06" x 1.82"
PSDL-288W-24V		10.25" x 4.06" x 1.82"
PSDL-300W-24V		10.25" x 4.06" x 1.82"

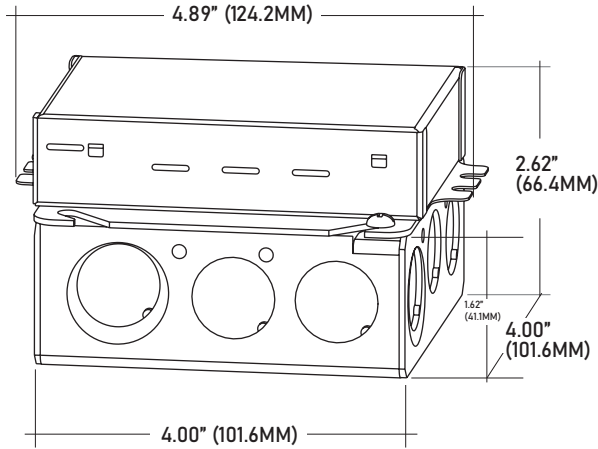
LSM-25 2.2W Indoor Flexible LED Strip

COMPATIBLE TRANSFORMERS



PSDE SERIES | 0-10V DIMMING WITH JUNCTION BOX

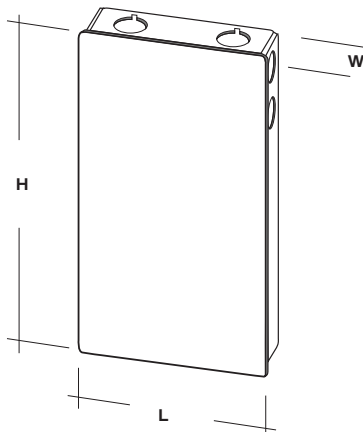
PSDE-100W-24V-010-JB | CLASS 2 | 12.32" x 1.77" x 1.67"



LUTRON 1% | 2 OR 3 WIRE DIMMING

LTEA4U1UKL-CV240 | CLASS 2 | 4.0" x 1.5" x 4.0"

L3DA4U1UKL-CV240 | CLASS 2 | 4.0" x 1.5" x 4.0"



LUTRON 1%

PSDE-96W-24V-ECO | CLASS 2 | 10.5" x 3.0" x 2.0"