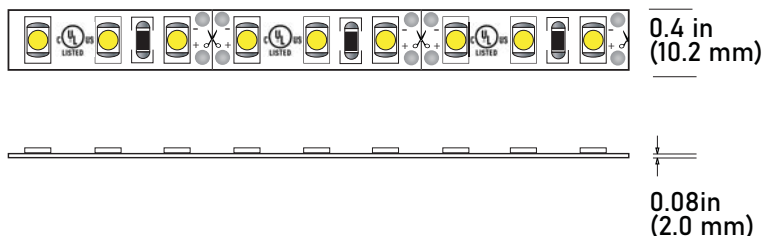


# LSM-30 3.0W Indoor Flexible LED Strip

JOB NAME: \_\_\_\_\_  
LOCATION: \_\_\_\_\_  
QUOTE/REF#: \_\_\_\_\_

1 in (25.4 mm) - 12V  
2 in (50.8 mm) - 24V



LSM-30 is a dimmable flexible LED strip capable of delivering 250 lumens of light output per ft. Suitable for use in cove lighting, under cabinets, architectural and aesthetic enhancements. It features superior CRI and different color temperature options.

## SPECIFICATIONS

<b>INPUT VOLTAGE</b>	12V and 24V DC
<b>POWER CONSUMPTION</b>	3.0 per foot
<b>LUMEN OUTPUT</b>	250 Lumens per foot
<b>NO. OF LEDs</b>	36 LEDs per foot
<b>BEAM ANGLE</b>	120°
<b>CRI</b>	95+
<b>DIMMING</b>	MLV, ELV, 0-10 and TRIAC
<b>MAXIMUM RUN LENGTH</b>	16.4 Feet (12V strip) 24 Feet (24V strip)
<b>FIELD CUTTABLE</b>	Every 1 in (12V) Every 2 in (24V)
<b>IP RATING</b>	IP54 dry location (indoor)
<b>LUMEN MAINTENANCE</b>	50,000 hrs.
<b>OPERATING TEMPERATURE</b>	-40°F(-40°C)~+140°F(+60°C)
<b>BINNING</b>	1.5 Step Macadam Ellipse
<b>CERTIFICATIONS</b>	UL listed, TITLE 24 JA8
<b>DIMENSIONS</b>	0.4" x 0.08 (width x height)

## FEATURES

- 3.0W per Foot
- 250 Lumens
- 95+ CRI
- California TITLE 24 JA8 compliant
- Field cuttable
- Suitable for accent or ambient lighting
- Multiple CCT options available
- Superior COLOR RENDERING INDEX (CRI)
- Available in 12V and 24V
- UL Listed
- Dimmable with CORE Lighting dimmable drivers

	COLOR TEMP	CRI	LUMEN/FT
	2200K	94	205
	2400K	95	225
	2700K	98	232
	3000K	98	240
	3500K	97	244
	4000K	96	250
	5000K	95	258
6000K	95	265	



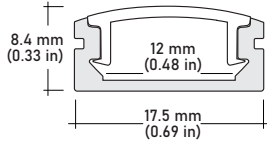
## STANDARD ORDERING CODE

Model	Color Temp	Length	Voltage	Profile
LSM-30	<b>22K</b> 2200K	<b>16</b> 16.4 Ft.	<b>12</b> 12 Volts	<sup>2</sup> See p3 for options
	<b>24K</b> 2400K	<b>100</b> 100 Ft.	<b>24</b> 24 Volts	
	<b>27K</b> 2700K	<b>1XX</b> per Ft.		
	<b>30K</b> 3000K			
	<b>35K</b> 3500K			
	<b>40K</b> 4000K			
	<b>50K</b> 5000K			
	<b>60K</b> 6000K			
	<b>RD</b> Red			
	<b>BL</b> Blue			
	<b>GR</b> Green			
	<b>PK</b> Pink			
	<b>PR</b> Purple			
<b>AM</b> Amber				
<b>OR</b> Orange				

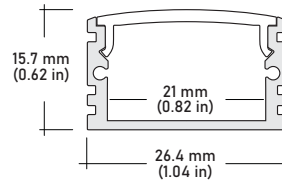
**NOTE:**

- 1** = Custom length per Ft.  
12V strip cuttable every 1"  
24V strip cuttable every 2"
- 2** = Custom color finishes require powder coating. Allow 7 days lead time.

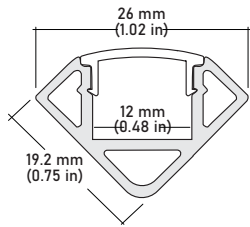
## COMPATIBLE ALUMINUM PROFILES



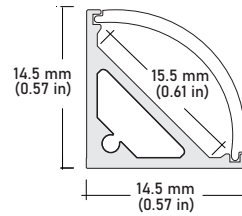
**ALU-SF** Surface  
**LENGTHS** 39<sup>3/8"</sup> | 78<sup>7/8"</sup> | 98"  
**LENS** Clear, Frosted  
**FINISH** Silver | Black



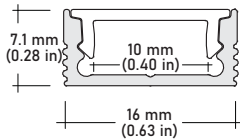
**ALU-DS100** Surface Wide  
**LENGTHS** 39<sup>3/8"</sup> | 78<sup>7/8"</sup> | 96"  
**LENS** Clear, Frosted  
**FINISH** Silver



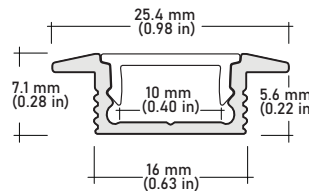
**ALU-CN** Surface, Corner  
**LENGTHS** 39<sup>3/8"</sup> | 78<sup>7/8"</sup> | 96"  
**LENS** Clear, Frosted  
**FINISH** Silver | Black



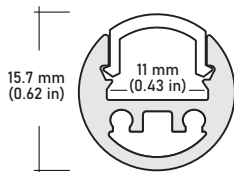
**ALU-50C** Surface, Corner  
**LENGTHS** 49.25" | 98.5"  
**LENS** Frosted  
**FINISH** White | Black | Silver



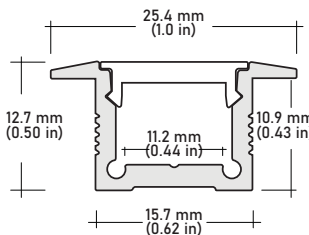
**ALP-20** Surface  
**LENGTHS** 49.25" | 98.5"  
**LENS** Frosted  
**FINISH** White | Black | Silver



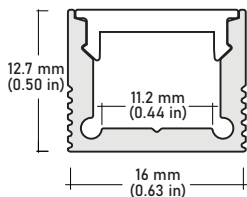
**ALP-20R** Recessed  
**LENGTHS** 49.25" | 98.5"  
**LENS** Frosted  
**FINISH** White | Black | Silver



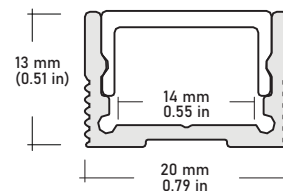
**ALP-35** Surface  
**LENGTHS** 48" | 96"  
**LENS** Frosted  
**FINISH** Silver



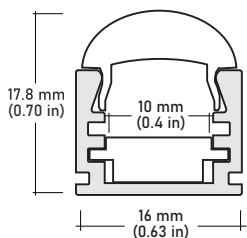
**ALP-60R** Recessed  
**LENGTHS** 49.25" | 98.5"  
**LENS** Frosted  
**FINISH** White | Black | Silver



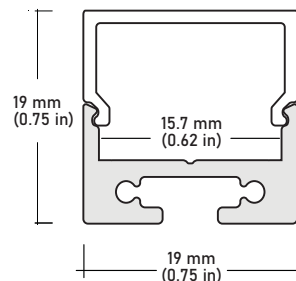
**ALP-60** Surface  
**LENGTHS** 49.25" | 98.5"  
**LENS** Frosted  
**FINISH** White | Black | Silver



**ALP-70** Surface  
**LENGTHS** 49.25" | 98.5"  
**LENS** Frosted  
**FINISH** White | Black | Silver

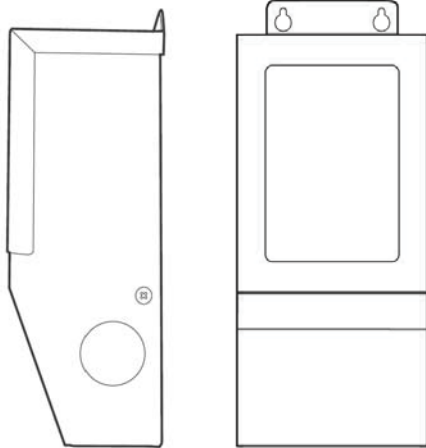


**ALP-65** Surface  
**LENGTHS** 49.25" | 98.5"  
**LENS** Frosted  
**FINISH** Silver  
**OPTICS** 10° | 30° | 60°



**ALP-80** Surface, Suspended  
**LENGTHS** 49.25" | 98.5"  
**LENS** Frosted  
**FINISH** Silver

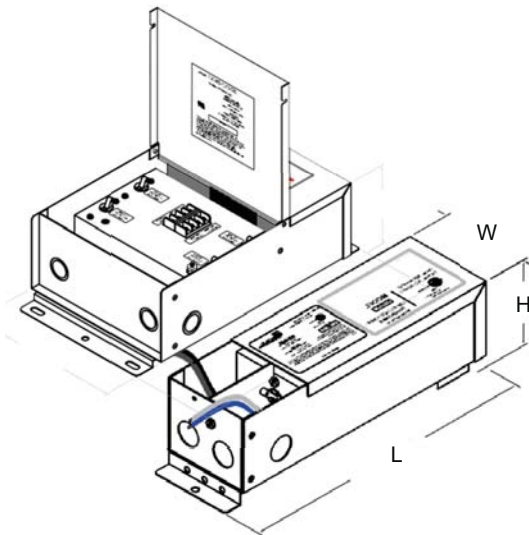
## COMPATIBLE TRANSFORMERS



### PSDM 24V SERIES | DIMMABLE MAGNETIC LOW VOLTAGE (MLV)

<b>PSDM-20W-12V</b>	CLASS 2	5.6" x 2" x 2.14"
<b>PSDM-40W-12V</b>	CLASS 2	5.6" x 2" x 2.14"
<b>PSDM-60W-12V</b>	CLASS 2	6.5" x 2.3" x 2.5"
<b>PSDM-100W-12V</b>	CLASS 2	9.8" x 3" x 3"
<b>PSDM-150W-12V</b>		9.8" x 3" x 3"
<b>PSDM-180W-12V</b>		9.8" x 3" x 3"
<b>PSDM-200W-12V</b>		9.8" x 3" x 3"
<b>PSDM-300W-12V</b>		9.8" x 4.2" x 3.5"
<b>PSDM-300W-12V</b>		7.0" x 7.0" x 3.2"

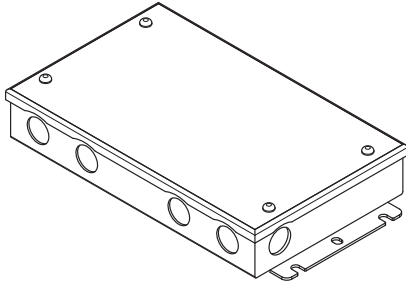
<b>PSDM-20W-24V</b>	CLASS 2	5.6" x 2" x 2.14"
<b>PSDM-40W-24V</b>	CLASS 2	5.6" x 2" x 2.14"
<b>PSDM-60W-24V</b>	CLASS 2	6.5" x 2.3" x 2.5"
<b>PSDM-100W-24V</b>	CLASS 2	6.5" x 2.3" x 2.5"
<b>PSDM-150W-24V</b>		9.8" x 3" x 3"
<b>PSDM-192W-24V</b>	CLASS 2	7.0" x 7.0" x 3.2"
<b>PSDM-200W-24V</b>		9.8" x 3" x 3"
<b>PSDM-288W-24V</b>	CLASS 2	9.8" x 4.2" x 3.5"
<b>PSDM-300W-24V</b>		7.0" x 7.0" x 3.2"



### PSDH SERIES | HIGH PERFORMANCE MAGNETIC LOW VOLTAGE (MLV)

<b>PSDH-48W-24V</b>	CLASS 2	11.25" x 3.37" x 3.25"
<b>PSDH-96W-24V</b>	CLASS 2	11.25" x 3.37" x 3.25"
<b>PSDH-288W-24V</b>	CLASS 2	14.25" x 8.43" x 4.43"

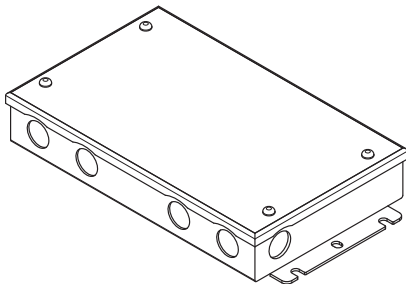
## COMPATIBLE TRANSFORMERS



### PSDL SERIES | TRIAC DIMMABLE

<b>PSDL-30W-12V</b>	CLASS 2	6.5"x 3.63"x 1.03"
<b>PSDL-60W-12V</b>	CLASS 2	7.4"x 3.63"x 1.03"
<b>PSDL-100W-12V</b>	CLASS 2	8.67"x 3.67"x 1.62"
<b>PSDL-120W-12V</b>		8.67"x 3.67"x 1.62"
<b>PSDL-150W-12V</b>		10.25"x 4.06"x 1.82"
<b>PSDL-200W-12V</b>		10.25"x 4.06"x 1.82"
<b>PSDL-300W-12V</b>		10.25"x 4.06"x 1.82"

<b>PSDL-30W-24V</b>	CLASS 2	6.5"x 3.63"x 1.03"
<b>PSDL-60W-24V</b>	CLASS 2	7.4"x 3.63"x 1.03"
<b>PSDL-96W-24V</b>	CLASS 2	8.67"x 3.67"x 1.62"
<b>PSDL-150W-24V</b>	CLASS 2	8.67"x 3.67"x 1.62"
<b>PSDL-192W-24V</b>	CLASS 2	10.25"x 4.06"x 1.82"
<b>PSDL-200W-24V</b>		10.25"x 4.06"x 1.82"
<b>PSDL-288W-24V</b>		10.25"x 4.06"x 1.82"
<b>PSDL-300W-24V</b>		10.25"x 4.06"x 1.82"

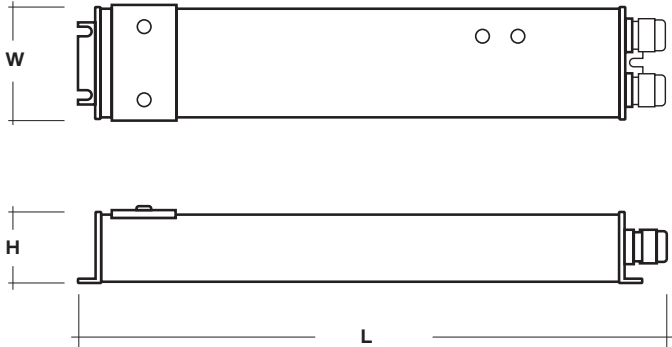


### PSHK SERIES | NON-DIMMING W/ JUNCTION BOX

<b>PSHK-30W-24V-UNV</b>	CLASS 2	6.5" X 3.6" X 1.02"
<b>PSHK-60W-24V-UNV</b>	CLASS 2	7.4" X 3.62" X 1.02"
<b>PSHK-96W-24V-UNV</b>	CLASS 2	8.66" X 3.66" X 1.61"
<b>PSHK-150W-24V-UNV</b>		10.24" X 4.06" X 1.81"
<b>PSHK-200W-24V-UNV</b>		10.24" X 4.06" X 1.81"
<b>PSHK-300W-24V-UNV</b>		10.94" X 4.25" X 1.81"

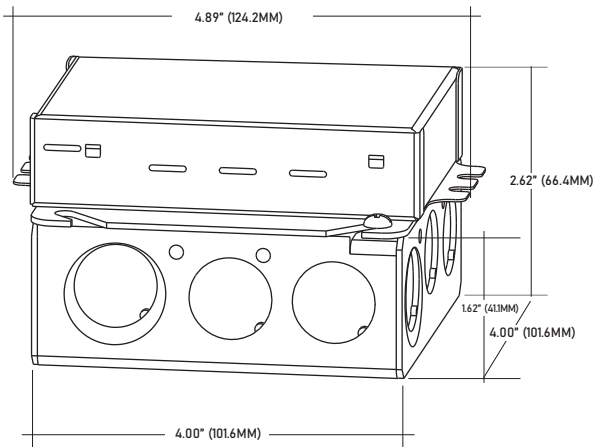
# LSM-30 3.0W Indoor Flexible LED Strip

## COMPATIBLE TRANSFORMERS



### PSDE SERIES | 0-10V DIMMING W/ JUNCTION BOX

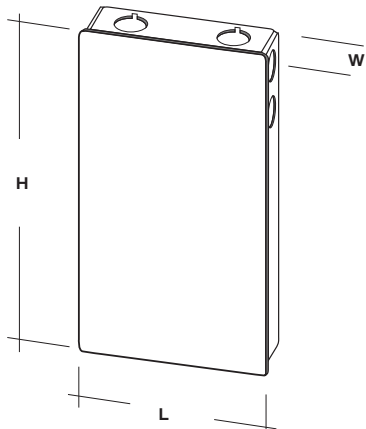
**PSDE-100W-24V-010-JB** CLASS 2 12.32" x 1.77" x 1.67"



### LUTRON 1% | 2 OR 3-WIRE DIMMING

**LTEA4U1UKL-CV240** CLASS 2 4.0" x 1.5" x 4.0"

**L3DA4U1UKL-CV240** CLASS 2 4.0" x 1.5" x 4.0"



### LUTRON 1%

**PSDE-96W-24V-ECO** CLASS 2 10.5" x 3.0" x 2.0"