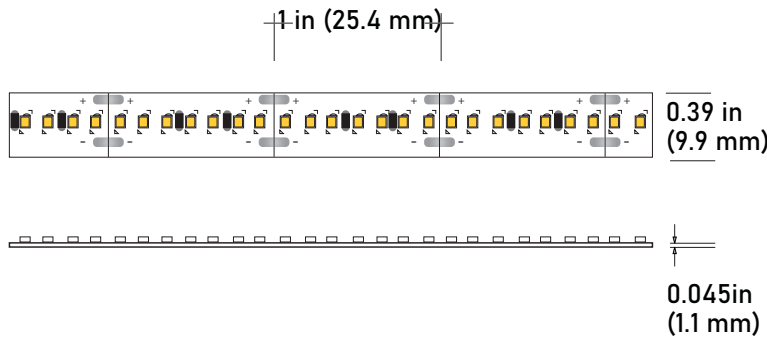


# LSM-55 5.5W Indoor Flexible LED Strip

JOB NAME: \_\_\_\_\_  
LOCATION: \_\_\_\_\_  
QUOTE/REF#: \_\_\_\_\_



LSM-55 is a dimmable, flexible LED strip capable of delivering 500 lumens of light output per ft. rated to last 50,000 hours making it an excellent replacement for halogen lighting. Its high lumen, excellent CRI and color temperature options make it the perfect choice for almost any commercial or residential lighting application.

## SPECIFICATIONS

<b>INPUT VOLTAGE</b>	24V DC
<b>POWER CONSUMPTION</b>	5.5W per foot
<b>LUMEN OUTPUT</b>	500+ Lumens per foot
<b>NO. OF LEDs</b>	81 LEDs per foot
<b>BEAM ANGLE</b>	120°
<b>CRI</b>	90+
<b>DIMMING</b>	MLV, ELV, 0-10 and TRIAC
<b>MAXIMUM RUN LENGTH</b>	12 Feet
<b>FIELD CUTTABLE</b>	Every 1 in
<b>IP RATING</b>	IP45 dry location (indoor)
<b>LUMEN MAINTENANCE</b>	50,000 hrs.
<b>OPERATING TEMPERATURE</b>	-40°F(-40°C)~+140°F(+60°C)
<b>BINNING</b>	1.5 Step Macadam Ellipse
<b>CERTIFICATIONS</b>	UL listed, TITLE 24 JA8
<b>DIMENSIONS</b>	0.39" x 0.045 (width x height)

## FEATURES

- 5.5W per Foot
- 500+ Lumens
- 90+ CRI
- California TITLE 24 JA8 compliant
- Field cuttable
- Suitable for accent or ambient lighting
- Multiple CCT options available
- Superior COLOR RENDERING INDEX (CRI)
- Available in 24V
- UL Listed
- Dimmable with CORE Lighting dimmable drivers



	COLOR TEMP	CRI	LUMEN/FT
	2400K	95	500+
	2700K	95	500+
	3000K	95	500+
	3500K	95	500+
	4000K	95	500+
	5000K	95	500+

# LSM-55 5.5W Indoor Flexible LED Strip

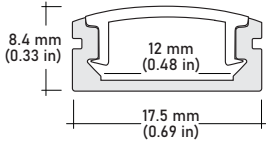
## STANDARD ORDERING CODE

Model	Color Temp	Length	Voltage	Profile
LSM-55	<b>24K</b> 2400K	<b>16</b> 16.4 Ft.	<b>24</b> 24 Volts	<sup>2</sup> See p3 for options
	<b>27K</b> 2700K	<b>100</b> 100 Ft.		
	<b>30K</b> 3000K	<b>1XX</b> per Ft.		
	<b>35K</b> 3500K			
	<b>40K</b> 4000K			
	<b>50K</b> 5000K			
	<b>60K</b> 6000K			

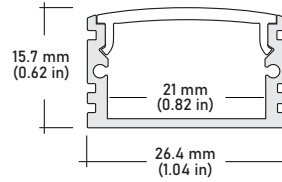
### NOTE:

- 1** = Custom length per Ft. cuttable every 1"
- 2** = Custom color finishes require powder coating. Allow 7 days lead time.

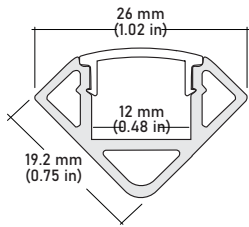
## COMPATIBLE ALUMINUM PROFILES



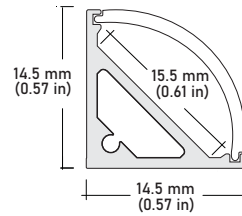
**ALU-SF** Surface  
**LENGTHS** 39<sup>3/8"</sup> | 78<sup>7/8"</sup> | 98"  
**LENS** Clear, Frosted  
**FINISH** Silver | Black



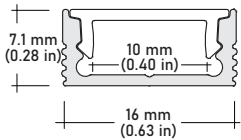
**ALU-DS100** Surface Wide  
**LENGTHS** 39<sup>3/8"</sup> | 78<sup>7/8"</sup> | 96"  
**LENS** Clear, Frosted  
**FINISH** Silver



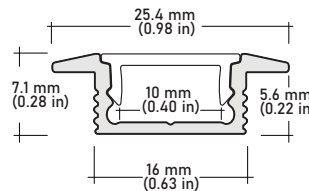
**ALU-CN** Surface, Corner  
**LENGTHS** 39<sup>3/8"</sup> | 78<sup>7/8"</sup> | 96"  
**LENS** Clear, Frosted  
**FINISH** Silver | Black



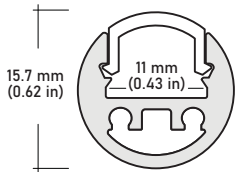
**ALP-50C** Surface, Corner  
**LENGTHS** 49.25" | 98.5"  
**LENS** Frosted  
**FINISH** White | Black | Silver



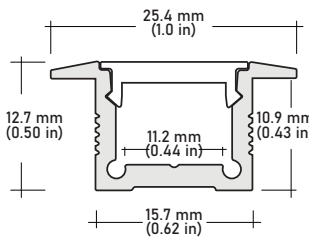
**ALP-20** Surface  
**LENGTHS** 49.25" | 98.5"  
**LENS** Frosted  
**FINISH** White | Black | Silver



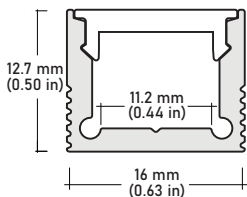
**ALP-20R** Recessed  
**LENGTHS** 49.25" | 98.5"  
**LENS** Frosted  
**FINISH** White | Black | Silver



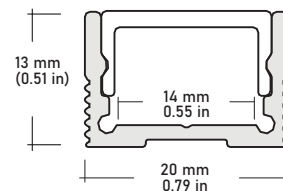
**ALP-35** Surface  
**LENGTHS** 48" | 96"  
**LENS** Frosted  
**FINISH** Silver



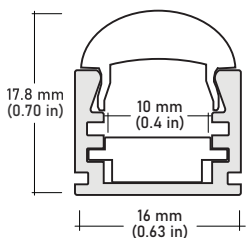
**ALP-60R** Recessed  
**LENGTHS** 49.25" | 98.5"  
**LENS** Frosted  
**FINISH** White | Black | Silver



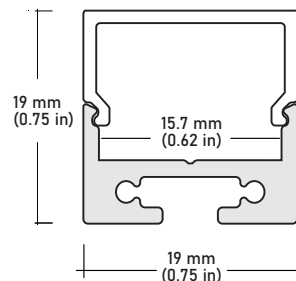
**ALP-60** Surface  
**LENGTHS** 49.25" | 98.5"  
**LENS** Frosted  
**FINISH** White | Black | Silver



**ALP-70** Surface  
**LENGTHS** 49.25" | 98.5"  
**LENS** Frosted  
**FINISH** White | Black | Silver

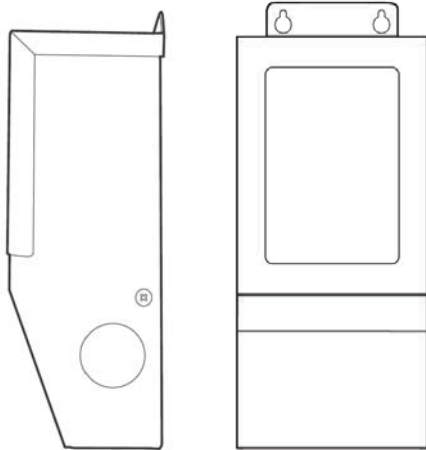


**ALP-65** Surface  
**LENGTHS** 49.25" | 98.5"  
**LENS** Frosted  
**FINISH** Silver  
**OPTICS** 10° | 30° | 60°



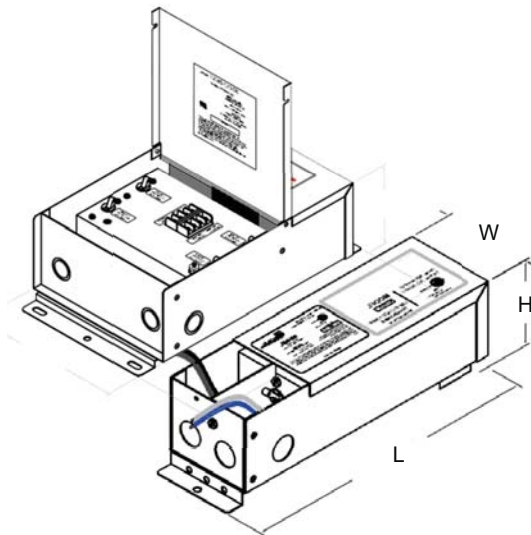
**ALP-80** Surface, Suspended  
**LENGTHS** 49.25" | 98.5"  
**LENS** Frosted  
**FINISH** Silver

## COMPATIBLE TRANSFORMERS



### PSDM 24V SERIES | DIMMABLE MAGNETIC LOW VOLTAGE (MLV)

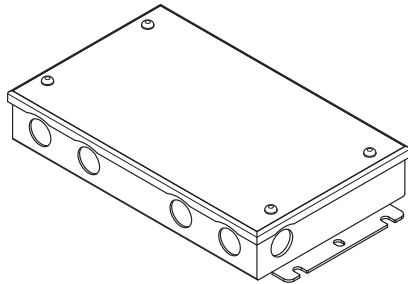
<b>PSDM-20W-24V</b>	CLASS 2	5.6" x 2" x 2.14"
<b>PSDM-40W-24V</b>	CLASS 2	5.6" x 2" x 2.14"
<b>PSDM-60W-24V</b>	CLASS 2	6.5" x 2.3" x 2.5"
<b>PSDM-100W-24V</b>	CLASS 2	6.5" x 2.3" x 2.5"
<b>PSDM-150W-24V</b>		9.8" x 3" x 3"
<b>PSDM-192W-24V</b>	CLASS 2	7.0" x 7.0" x 3.2"
<b>PSDM-200W-24V</b>		9.8" x 3" x 3"
<b>PSDM-288W-24V</b>	CLASS 2	9.8" x 4.2" x 3.5"
<b>PSDM-300W-24V</b>		7.0" x 7.0" x 3.2"



### PSDH SERIES | HIGH PERFORMANCE MAGNETIC LOW VOLTAGE (MLV)

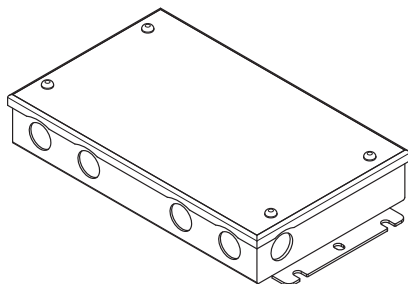
<b>PSDH-48W-24V</b>	CLASS 2	11.25" x 3.37" x 3.25"
<b>PSDH-96W-24V</b>	CLASS 2	11.25" x 3.37" x 3.25"
<b>PSDH-288W-24V</b>	CLASS 2	14.25" x 8.43" x 4.43"

## COMPATIBLE TRANSFORMERS



### PSDL SERIES | TRIAC DIMMABLE

<b>PSDL-30W-24V</b>	CLASS 2	6.5"x 3.63"x 1.03"
<b>PSDL-60W-24V</b>	CLASS 2	7.4"x 3.63"x 1.03"
<b>PSDL-96W-24V</b>	CLASS 2	8.67"x 3.67"x 1.62"
<b>PSDL-150W-24V</b>	CLASS 2	8.67"x 3.67"x 1.62"
<b>PSDL-192W-24V</b>	CLASS 2	10.25"x 4.06"x 1.82"
<b>PSDL-200W-24V</b>	CLASS 2	10.25"x 4.06"x 1.82"
<b>PSDL-288W-24V</b>	CLASS 2	10.25"x 4.06"x 1.82"
<b>PSDL-300W-24V</b>	CLASS 2	10.25"x 4.06"x 1.82"

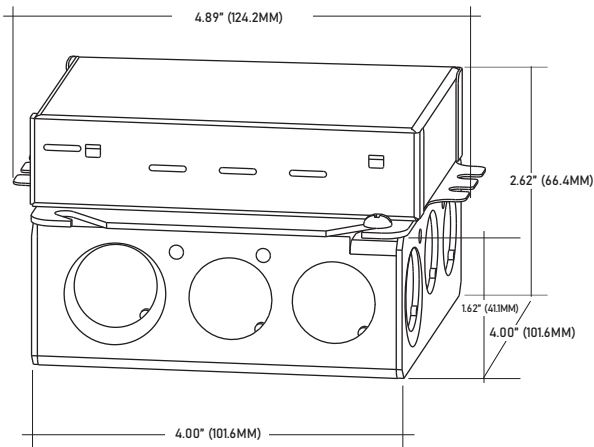
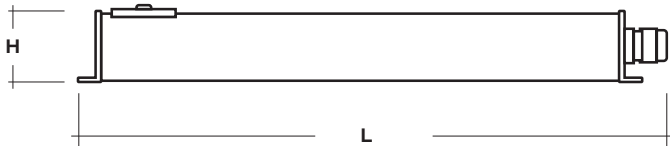


### PSHK SERIES | NON-DIMMING W/ JUNCTION BOX

<b>PSHK-30W-24V-UNV</b>	CLASS 2	6.5" X 3.6" X 1.02"
<b>PSHK-60W-24V-UNV</b>	CLASS 2	7.4" X 3.62" X 1.02"
<b>PSHK-96W-24V-UNV</b>	CLASS 2	8.66" X 3.66" X 1.61"
<b>PSHK-150W-24V-UNV</b>	CLASS 2	10.24" X 4.06" X 1.81"
<b>PSHK-200W-24V-UNV</b>	CLASS 2	10.24" X 4.06" X 1.81"
<b>PSHK-300W-24V-UNV</b>	CLASS 2	10.94" X 4.25" X 1.81"

# LSM-55 5.5W Indoor Flexible LED Strip

## COMPATIBLE TRANSFORMERS



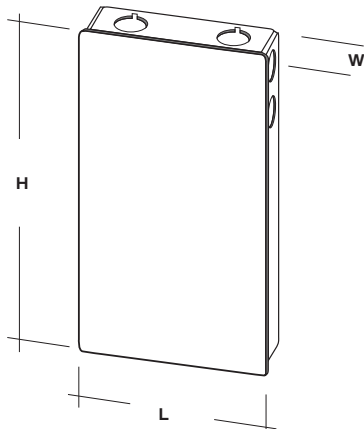
### PSDE SERIES | 0-10V DIMMING W/ JUNCTION BOX

**PSDE-100W-24V-010-JB** CLASS 2 12.32" x 1.77" x 1.67"

### LUTRON 1% | 2 OR 3-WIRE DIMMING

**LTEA4U1UKL-CV240** CLASS 2 4.0" x 1.5" x 4.0"

**L3DA4U1UKL-CV240** CLASS 2 4.0" x 1.5" x 4.0"



### LUTRON 1%

**PSDE-96W-24V-ECO** CLASS 2 10.5" x 3.0" x 2.0"