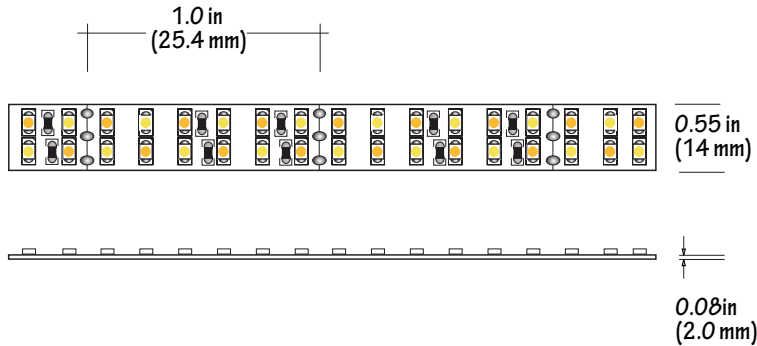


# LSM-60MX 6.0W Indoor Color-Tuning LED Strip

## SPECIFICATION SHEET

JOB NAME: \_\_\_\_\_  
LOCATION: \_\_\_\_\_  
QUOTE/REF#: \_\_\_\_\_



### SPECIFICATIONS

<b>INPUT VOLTAGE</b>	24V DC
<b>POWER CONSUMPTION</b>	6W per foot
<b>LUMEN OUTPUT</b>	500+ Lumens per foot
<b>NO. OF LEDs</b>	72 LEDs per foot
<b>BEAM ANGLE</b>	120°
<b>CRI</b>	90+
<b>DIMMING</b>	MLV, ELV, 0-10V and TRIAC
<b>MAXIMUM RUN LENGTH</b>	16 Feet
<b>FIELD CUTTABLE</b>	Every 1.0 in (25.4MM)
<b>IP RATING</b>	IP45 dry location (indoor)
<b>LUMEN MAINTENANCE</b>	50,000 hrs.
<b>OPERATING TEMPERATURE</b>	-40°F(-40°C)~+140°F(+60°C)
<b>BINNING</b>	1.5 Step Macadam Elipse
<b>CERTIFICATIONS</b>	UL listed
<b>DIMENSIONS</b>	0.55" x 0.08 (width x height)

LSM60-MX is a hybrid version of our popular LSM-60 series. It features combined CCTs in one LED strip ranging from warm 2200K to cool 6000K. Rated to last 50,000 hours, making it an excellent replacement for halogen lighting. Ideal for most common indoor applications.

### FEATURES

- 6.0W per Foot
- 2 Channel Color-Tuning
- 500+ Lumens
- 90+ CRI
- California TITLE 24, JA8 compliant
- 16 Feet Maximum Run Length
- Field cuttable
- Ideal for accent and ambient lighting
- Multiple CCT options available
- UL Listed
- Dimmable with CORE dimmable drivers

	COLOR TEMP	CRI	LUMEN/FT
	2200K	94	410
	2500K	95	450
	2700K	98	465
	3000K	98	480
	3500K	97	485
	4000K	96	500
	5000K	95	515
	6000K	95	530



# LSM-60MX 6.0W Indoor Color-Tuning LED Strip

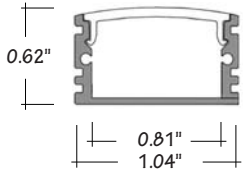
## STANDARD ORDERING CODE

Model	Color Temp A	Color Temp B	Length	Voltage
LSM-60MX	22K - 2200K 27K - 2700K 30K - 3000K	30K - 3000K 40K - 4000K 50K - 5000K 60K - 6000K	16 - 16.4 Ft. 100 - 100 Ft. PF - Per foot	24V - 24V DC

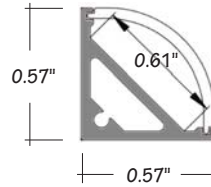
## CUSTOMIZED LENGTH ORDERING CODE

Model	Color Temp A	Color Temp B	Length	Voltage	Profile
LSM-60	22K - 2200K 27K - 2700K 30K - 3000K	30K - 3000K 40K - 4000K 50K - 5000K 60K - 6000K	XX - Custom Length	24V - 24V DC	See p3 for options

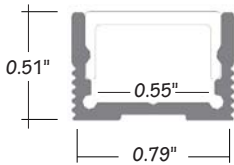
## COMPATIBLE ALUMINUM PROFILES



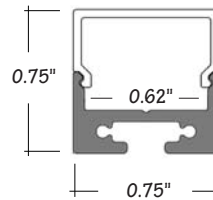
**ALU-DS100** **SURFACE MOUNT**  
**LENGTHS** 39<sup>3/8</sup>" 78<sup>7/8</sup>" 96"  
**LENS** Clear and Frosted  
**FINISH** Anodized Aluminum



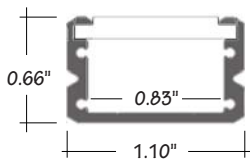
**ALP-50C** **SURFACE / CORNER**  
**LENGTHS** 49.25" , 98.5"  
**LENS** Frosted  
**FINISH** Anodized Aluminum



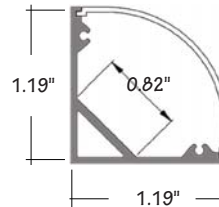
**ALP-70** **SURFACE MOUNT**  
**LENGTHS** 49.25" , 98.5"  
**LENS** Frosted  
**FINISH** Anodized Aluminum



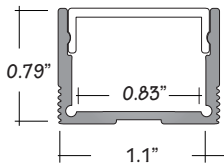
**ALP-80** **SURFACE OR SUSPENDED**  
**LENGTHS** 49.25" , 98.5"  
**LENS** Frosted  
**FINISH** Anodized Aluminum



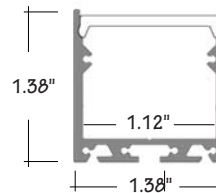
**ALP-90** **SURFACE MOUNT**  
**LENGTHS** 48" and 96"  
**LENS** Frosted  
**FINISH** Anodized Aluminum



**ALP-100C** **SURFACE / CORNER**  
**LENGTHS** 49.25" , 98.5"  
**LENS** Frosted  
**FINISH** Anodized Aluminum

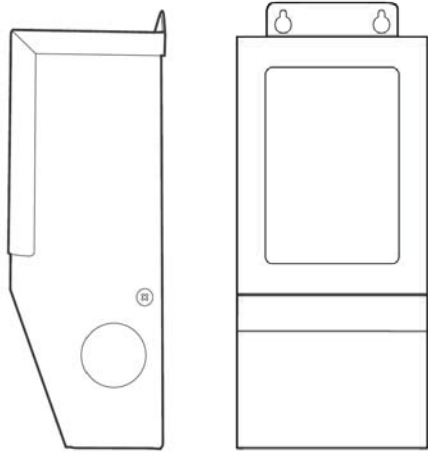


**ALP-130** **SURFACE / SUSPENSION**  
**LENGTHS** 49.25" , 98.5"  
**LENS** Frosted  
**FINISH** Anodized Aluminum



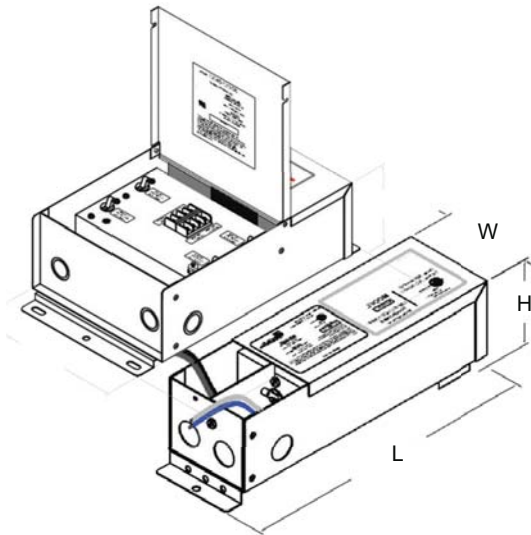
**ALP-140** **SURFACE / SUSPENSION**  
**LENGTHS** 49.25" , 98.5"  
**LENS** Frosted  
**FINISH** Anodized Aluminum

## COMPATIBLE TRANSFORMERS



### PSDM SERIES DIMMABLE MAGNETIC LOW VOLTAGE (MLV)

<b>PSDM-20W-24V</b>	CLASS 2	5.6" x 2" x 2.14"
<b>PSDM-40W-24V</b>	CLASS 2	5.6" x 2" x 2.14"
<b>PSDM-60W-24V</b>	CLASS 2	6.5" x 2.3" x 2.5"
<b>PSDM-100W-24V</b>	CLASS 2	6.5" x 2.3" x 2.5"
<b>PSDM-150W-24V</b>		9.8" x 3" x 3"
<b>PSDM-192W-24V</b>	CLASS 2	7.0" x 7.0" x 3.2"
<b>PSDM-200W-24V</b>		9.8" x 3" x 3"
<b>PSDM-288W-24V</b>	CLASS 2	9.8" x 4.2" x 3.5"
<b>PSDM-300W-24V</b>		7.0" x 7.0" x 3.2"



### PSDH SERIES HIGH PERFORMANCE MLV

<b>PSDH-48W-24V</b>	CLASS 2	11.25" x 3.37" x 3.25"
<b>PSDH-96W-24V</b>	CLASS 2	11.25" x 3.37" x 3.25"
<b>PSDH-288W-24V</b>	CLASS 2	14.25" x 8.43" x 4.43"

# LSM-60MX 6.0W Indoor Color-Tuning LED Strip

## COMPATIBLE TRANSFORMERS



### PSDL SERIES TRIAC DIMMABLE

<b>PSDL-30W-24V</b>	CLASS 2	6.5"x 3.63"x 1.03"
<b>PSDL-60W-24V</b>	CLASS 2	7.4"x 3.63"x 1.03"
<b>PSDL-96W-24V</b>	CLASS 2	8.67"x 3.67"x 1.62"
<b>PSDL-150W-24V</b>		8.67"x 3.67"x 1.62"
<b>PSDL-192W-24V</b>		10.25"x 4.06"x 1.82"
<b>PSDL-200W-24V</b>		10.25"x 4.06"x 1.82"
<b>PSDL-288W-24V</b>		10.25"x 4.06"x 1.82"
<b>PSDL-300W-24V</b>		10.25"x 4.06"x 1.82"

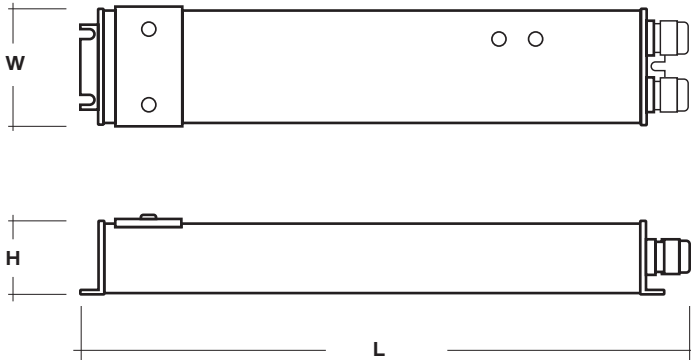


### PSHK SERIES NON-DIMMING WITH JUNCTION BOX

<b>PSHK-30W-24V-UNV</b>	CLASS 2	6.5" X 3.6" X 1.02"
<b>PSHK-60W-24V-UNV</b>	CLASS 2	7.4" X 3.62" X 1.02"
<b>PSHK-96W-24V-UNV</b>	CLASS 2	8.66" X 3.66" X 1.61"
<b>PSHK-150W-24V-UNV</b>		10.24" X 4.06" X 1.81"
<b>PSHK-200W-24V-UNV</b>		10.24" X 4.06" X 1.81"
<b>PSHK-300W-24V-UNV</b>		10.94" X 4.25" X 1.81"

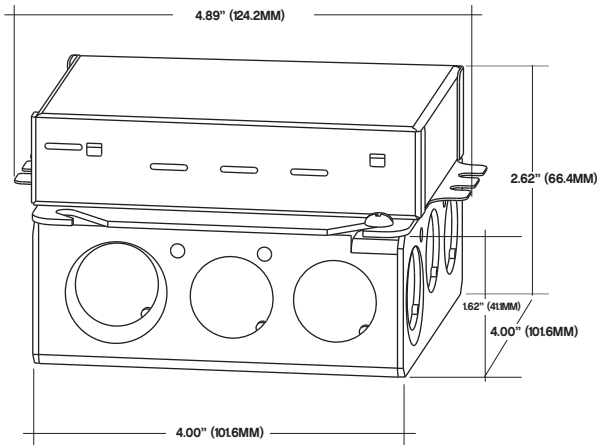
# LSM-60MX 6.0W Indoor Color-Tuning LED Strip

## COMPATIBLE TRANSFORMERS



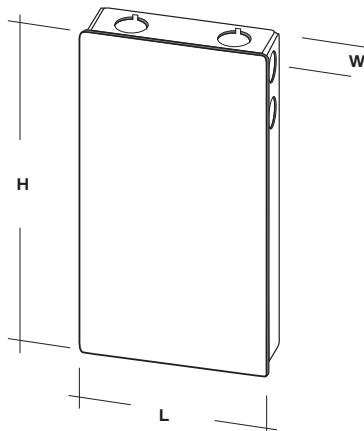
### PSDE SERIES 0-10V DIMMING WITH JUNCTION BOX

**PSDE-100W-24V-010-JB** CLASS 2 12.32" x 1.77" x 1.67"



### LUTRON 1% 2 OR 3-WIRE DIMMING

**LTEA4U1UKL-CV240** CLASS 2 4.0" x 1.5" x 4.0"  
**L3DA4U1UKL-CV240** CLASS 2 4.0" x 1.5" x 4.0"



### LUTRON 1%

**PSDE-96W-24V-ECO** CLASS 2 10.5" x 3.0" x 2.0"