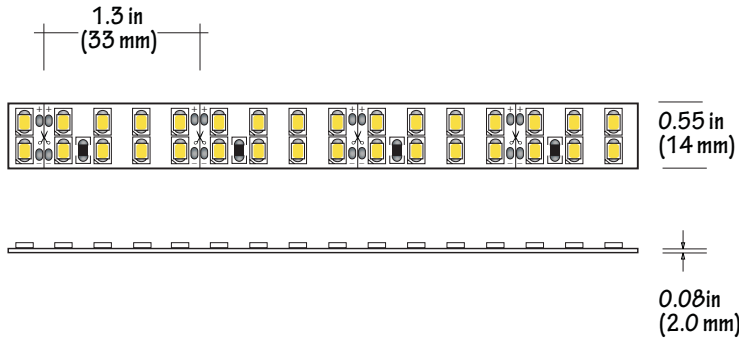


# LSM-70HF 6.6W Indoor Flexible LED Strip

## SPECIFICATION SHEET

JOB NAME: \_\_\_\_\_  
LOCATION: \_\_\_\_\_  
QUOTE/REF#: \_\_\_\_\_



LSM70HF Super High Output strip is designed to produce up to 698 Lumens at 6.6 Watts per foot. This field cuttable LED strip features a low profile design that allows it to be attached almost anywhere. Installation is quick and easy. It produces a 120° light beam spread and is available in different color temperatures to fit your specific needs.

## SPECIFICATIONS

<b>INPUT VOLTAGE</b>	24V DC
<b>POWER CONSUMPTION</b>	6.6W per foot
<b>LUMEN OUTPUT</b>	698 Lumens per foot
<b>NO. OF LEDs</b>	72 LEDs per foot
<b>BEAM ANGLE</b>	120°
<b>CRI</b>	90+
<b>DIMMING</b>	MLV, ELV, 0-10V and TRIAC
<b>MAXIMUM RUN LENGTH</b>	20 Feet
<b>FIELD CUTTABLE</b>	Every 1.0 in (25.4MM)
<b>IP RATING</b>	IP45 dry location (indoor)
<b>LUMEN MAINTENANCE</b>	50,000 hrs.
<b>OPERATING TEMPERATURE</b>	-40°F(-40°C)~+140°F(+60°C)
<b>BINNING</b>	1.5 Step Macadam Elipse
<b>CERTIFICATIONS</b>	UL listed
<b>DIMENSIONS</b>	0.55" x 0.08 (width x height)

## FEATURES

- 6.6W per Foot
- 130 Lumens per Watt
- 698 Lumens per Foot
- 90+ CRI
- Two rows of powerful high output diodes
- 20 Feet Maximum Run Length
- Field cuttable
- Ideal for accent and ambient lighting
- Multiple CCT options available
- UL Listed
- Dimmable with CORE dimmable drivers

	COLOR TEMP	CRI	LUMEN/FT
--	------------	-----	----------



2700K	98	698
3000K	98	698
3500K	97	698
4000K	96	698
5000K	95	698



# LSM-70HF 6.6W Indoor Flexible LED Strip

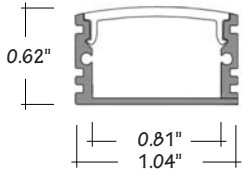
## STANDARD ORDERING CODE

Model	Color Temp	Length	Voltage
LSM-70HF	27K - 2700K 30K - 3000K 35K - 3500K 40K - 4000K 50K - 5000K	16 - 16.4 Ft. 100 - 100 Ft. PF - Per foot	24V - 24V DC

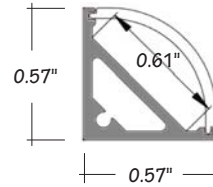
## CUSTOMIZED LENGTH ORDERING CODE

Model	Color Temp	Length	Voltage	Profile
LSM-70HF	27K - 2700K 30K - 3000K 35K - 3500K 40K - 4000K 50K - 5000K	XX - Custom Length	24V - 24V DC	See p3 for options

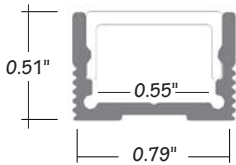
## COMPATIBLE ALUMINUM PROFILES



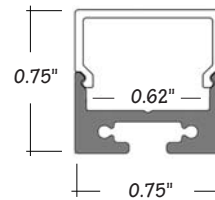
**ALU-DS100** **SURFACE MOUNT**  
**LENGTHS** 39<sup>3/8</sup>" 78<sup>7/8</sup>" 96"  
**LENS** Clear and Frosted  
**FINISH** Anodized Aluminum



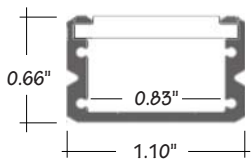
**ALP-50C** **SURFACE / CORNER**  
**LENGTHS** 49.25" , 98.5"  
**LENS** Frosted  
**FINISH** Anodized Aluminum



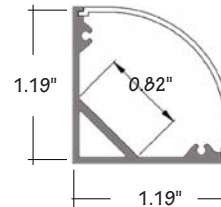
**ALP-70** **SURFACE MOUNT**  
**LENGTHS** 49.25" , 98.5"  
**LENS** Frosted  
**FINISH** Anodized Aluminum



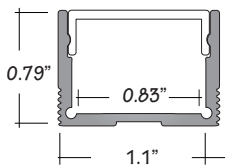
**ALP-80** **SURFACE OR SUSPENDED**  
**LENGTHS** 49.25" , 98.5"  
**LENS** Frosted  
**FINISH** Anodized Aluminum



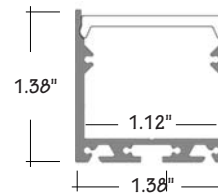
**ALP-90** **SURFACE MOUNT**  
**LENGTHS** 48" and 96"  
**LENS** Frosted  
**FINISH** Anodized Aluminum



**ALP-100C** **SURFACE / CORNER**  
**LENGTHS** 49.25" , 98.5"  
**LENS** Frosted  
**FINISH** Anodized Aluminum



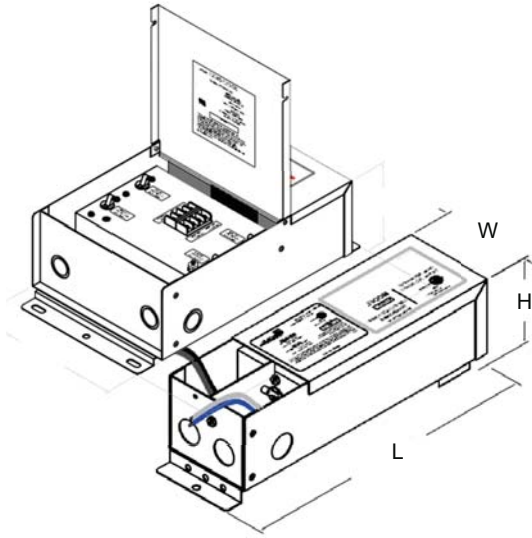
**ALP-130** **SURFACE / SUSPENSION**  
**LENGTHS** 49.25" , 98.5"  
**LENS** Frosted  
**FINISH** Anodized Aluminum



**ALP-140** **SURFACE / SUSPENSION**  
**LENGTHS** 49.25" , 98.5"  
**LENS** Frosted  
**FINISH** Anodized Aluminum

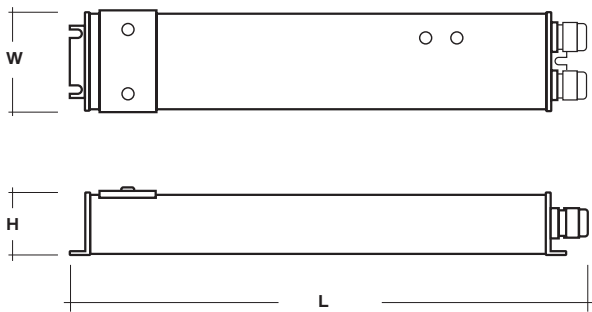
# LSM-70HF 6.6W Indoor Flexible LED Strip

## COMPATIBLE TRANSFORMERS



### PSDH SERIES HIGH PERFORMANCE MLV

<b>PSDH-48W-24V</b>	CLASS 2	11.25" x 3.37" x 3.25"
<b>PSDH-96W-24V</b>	CLASS 2	11.25" x 3.37" x 3.25"
<b>PSDH-288W-24V</b>	CLASS 2	14.25" x 8.43" x 4.43"



### PSDE SERIES 0-10V DIMMING WITH JUNCTION BOX

<b>PSDE-100W-24V-010-JB</b>	CLASS 2	12.32" x 1.77" x 1.67"
-----------------------------	---------	------------------------

# LSM-70HF 6.6W Indoor Flexible LED Strip

## COMPATIBLE TRANSFORMERS



### PSDL SERIES TRIAC DIMMABLE

---

<b>PSDL-30W-24V</b>	CLASS 2	6.5" x 3.63" x 1.03"
<b>PSDL-60W-24V</b>	CLASS 2	7.4" x 3.63" x 1.03"
<b>PSDL-96W-24V</b>	CLASS 2	8.67" x 3.67" x 1.62"
<b>PSDL-150W-24V</b>		8.67" x 3.67" x 1.62"
<b>PSDL-192W-24V</b>		10.25" x 4.06" x 1.82"
<b>PSDL-200W-24V</b>		10.25" x 4.06" x 1.82"
<b>PSDL-288W-24V</b>		10.25" x 4.06" x 1.82"
<b>PSDL-300W-24V</b>		10.25" x 4.06" x 1.82"



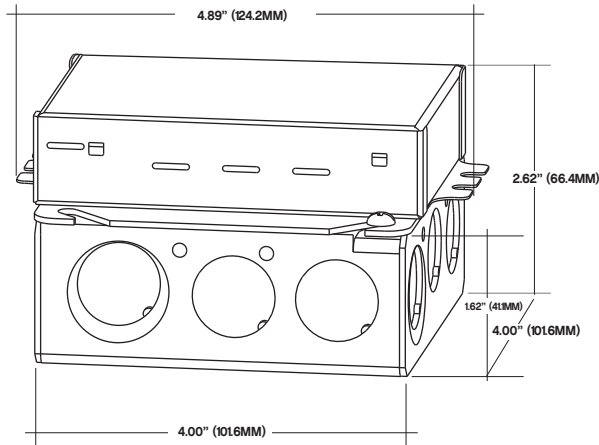
### PSHK SERIES NON-DIMMING WITH JUNCTION BOX

---

<b>PSHK-30W-24V-UNV</b>	CLASS 2	6.5" X 3.6" X 1.02"
<b>PSHK-60W-24V-UNV</b>	CLASS 2	7.4" X 3.62" X 1.02"
<b>PSHK-96W-24V-UNV</b>	CLASS 2	8.66" X 3.66" X 1.61"
<b>PSHK-150W-24V-UNV</b>		10.24" X 4.06" X 1.81"
<b>PSHK-200W-24V-UNV</b>		10.24" X 4.06" X 1.81"
<b>PSHK-300W-24V-UNV</b>		10.94" X 4.25" X 1.81"

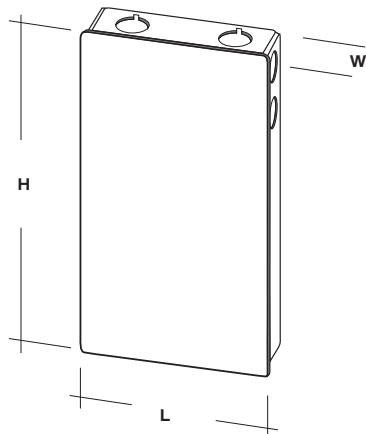
# LSM-70HF 6.6W Indoor Flexible LED Strip

## COMPATIBLE TRANSFORMERS



### LUTRON 1% 2 OR 3-WIRE DIMMING

<b>LTEA4U1UKL-CV240</b>	CLASS 2	4.0" x 1.5" x 4.0"
<b>L3DA4U1UKL-CV240</b>	CLASS 2	4.0" x 1.5" x 4.0"



### LUTRON 1%

<b>PSDE-96W-24V-ECO</b>	CLASS 2	10.5" x 3.0" x 2.0"
-------------------------	---------	---------------------