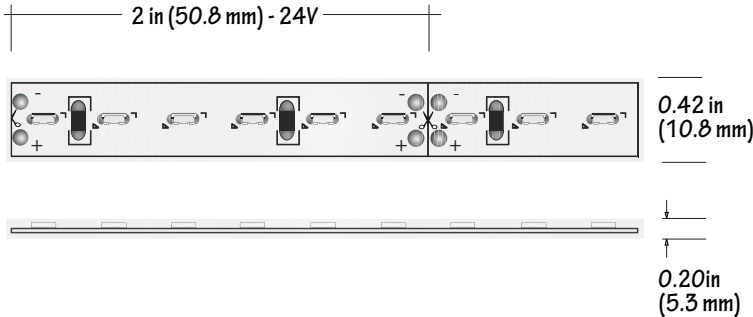


LSMW-30SE 3.0W Outdoor Side-Emitting LED Strip

SPECIFICATION SHEET

JOB NAME: _____
LOCATION: _____
QUOTE/REF#: _____








LSMW-30SE is an outdoor flexible LED strip that features a light projection that shines parallel (90°) to the application surface. It is specifically designed as a hidden light source that provides reveal lighting or as a grazing effect on a surface. Perfect for coves, curved applications, domes, counters and tight spaces.

SPECIFICATIONS

INPUT VOLTAGE	24V DC
POWER CONSUMPTION	3.0W per foot
LUMEN OUTPUT	226 Lumens per foot
NO. OF LEDs	36 LEDs per foot
BEAM ANGLE	120°
CRI	95+
DIMMING	MLV, ELV, 0-10 and TRIAC
MAXIMUM RUN LENGTH	24 Feet
FIELD CUTTABLE	Every 2"
IP RATING	IP65 wet location (outdoor)
LUMEN MAINTENANCE	50,000 hrs.
OPERATING TEMPERATURE	-40°F(-40°C)~+140°F(+60°C)
BINNING	1.5 Step Macadam Elipse
CERTIFICATIONS	UL listed, TITLE 24 JA8
DIMENSIONS	0.42" x 0.20 (width x height)

FEATURES

- 3.0W per Foot
- 226 Lumens per foot
- 95+ CRI
- California TITLE 24 JA8 compliant
- Field cuttable
- Suitable for accent or ambient lighting
- Multiple CCT options available
- Superior COLOR RENDERING INDEX (CRI)
- Available in 12V and 24V
- UL Listed
- Dimmable with CORE Lighting dimmable drivers

	COLOR TEMP	CRI	LUMEN/FT
	2700K	90	195
	3000K	90	195
	4000K	90	226
	5000K	90	226
	6000K	90	226



LSMW-30SE 3.0W Outdoor Side-Emitting LED Strip

STANDARD ORDERING CODE

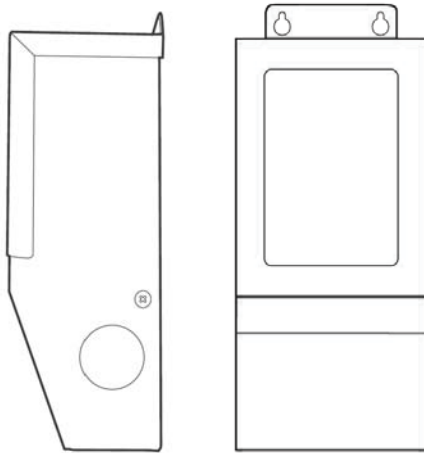
Model	Color Temp	Length	Voltage
LSMW-30SE	27K - 2700K 30K - 3000K 40K - 4000K 50K - 5000K 60K - 6000K	16 - 16.4 Ft. 100 - 100 Ft. PF - Per foot	24V - 24V DC

CUSTOMIZED LENGTH ORDERING CODE

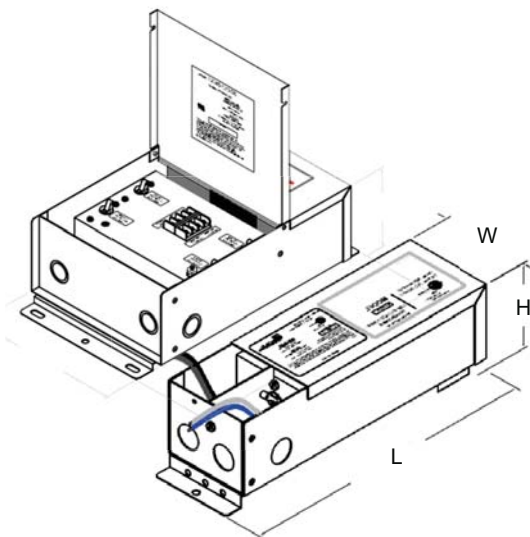
Model	Color Temp	Length	Voltage
LSMW-30SE	27K - 2700K 30K - 3000K 40K - 4000K 50K - 5000K 60K - 6000K	XX - Custom Length	24V - 24V DC

COMPATIBLE TRANSFORMERS

PSDM SERIES DIMMABLE MAGNETIC LOW VOLTAGE (MLV)



PSDM-20W-24V	CLASS 2	5.6" x 2" x 2.14"
PSDM-40W-24V	CLASS 2	5.6" x 2" x 2.14"
PSDM-60W-24V	CLASS 2	6.5" x 2.3" x 2.5"
PSDM-100W-24V	CLASS 2	6.5" x 2.3" x 2.5"
PSDM-150W-24V		9.8" x 3" x 3"
PSDM-192W-24V	CLASS 2	7.0" x 7.0" x 3.2"
PSDM-200W-24V		9.8" x 3" x 3"
PSDM-288W-24V	CLASS 2	9.8" x 4.2" x 3.5"
PSDM-300W-24V		7.0" x 7.0" x 3.2"



PSDH SERIES HIGH PERFORMANCE MLV

PSDH-48W-24V	CLASS 2	11.25" x 3.37" x 3.25"
PSDH-96W-24V	CLASS 2	11.25" x 3.37" x 3.25"
PSDH-288W-24V	CLASS 2	14.25" x 8.43" x 4.43"

LSMW-30SE 3.0W Outdoor Side-Emitting LED Strip

COMPATIBLE TRANSFORMERS

PSDL SERIES TRIAC DIMMABLE



PSDL-30W-24V	CLASS 2	6.5"x 3.63"x 1.03"
PSDL-60W-24V	CLASS 2	7.4"x 3.63"x 1.03"
PSDL-96W-24V	CLASS 2	8.67"x 3.67"x 1.62"
PSDL-150W-24V		8.67"x 3.67"x 1.62"
PSDL-192W-24V		10.25"x 4.06"x 1.82"
PSDL-200W-24V		10.25"x 4.06"x 1.82"
PSDL-288W-24V		10.25"x 4.06"x 1.82"
PSDL-300W-24V		10.25"x 4.06"x 1.82"

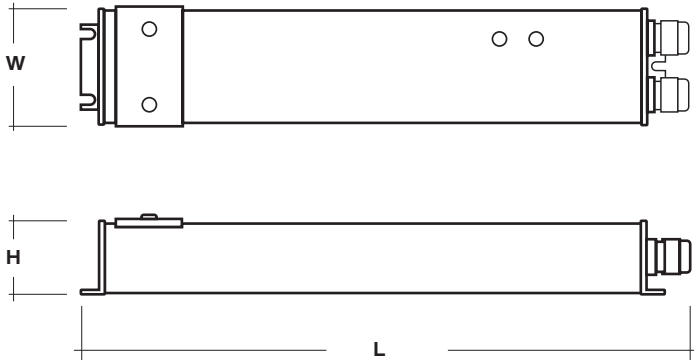


PSHK SERIES NON-DIMMING WITH JUNCTION BOX

PSHK-30W-24V-UNV	CLASS 2	6.5" X 3.6" X 1.02"
PSHK-60W-24V-UNV	CLASS 2	7.4" X 3.62" X 1.02"
PSHK-96W-24V-UNV	CLASS 2	8.66" X 3.66" X 1.61"
PSHK-150W-24V-UNV		10.24" X 4.06" X 1.81"
PSHK-200W-24V-UNV		10.24" X 4.06" X 1.81"
PSHK-300W-24V-UNV		10.94" X 4.25" X 1.81"

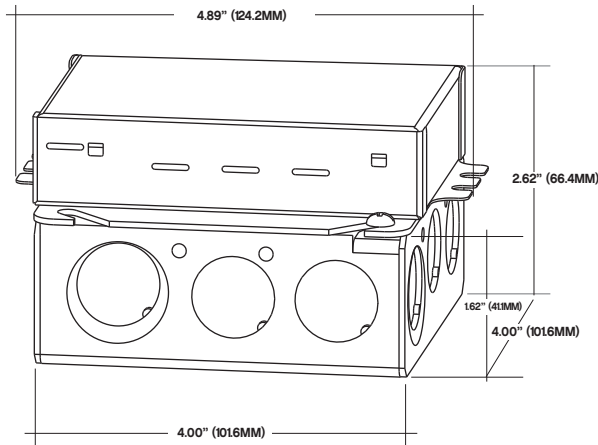
LSMW-30SE 3.0W Outdoor Side-Emitting LED Strip

COMPATIBLE TRANSFORMERS



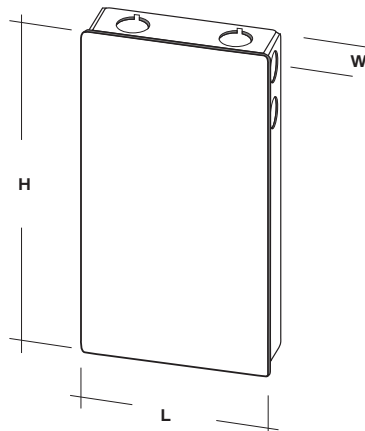
PSDE SERIES 0-10V DIMMING WITH JUNCTION BOX

PSDE-100W-24V-010-JB CLASS 2 12.32" x 1.77" x 1.67"



LUTRON 1% 2 OR 3-WIRE DIMMING

LTEA4U1UKL-CV240 CLASS 2 4.0" x 1.5" x 4.0"
L3DA4U1UKL-CV240 CLASS 2 4.0" x 1.5" x 4.0"



LUTRON 1%

PSDE-96W-24V-ECO CLASS 2 10.5" x 3.0" x 2.0"