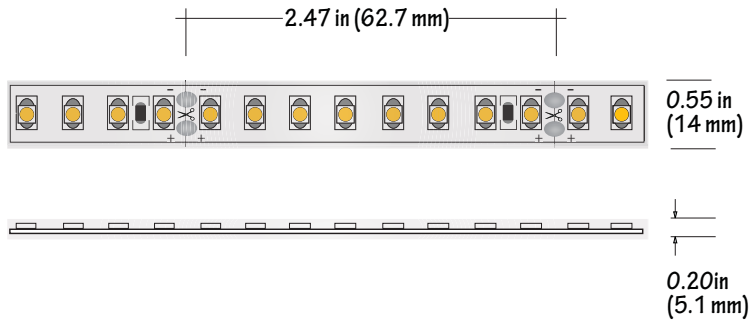


LSMW-40HF 4.0W Outdoor Flexible LED Strip

SPECIFICATION SHEET

JOB NAME: _____
LOCATION: _____
QUOTE/REF#: _____



LSMW-40HF is an outdoor, wet-rated and dimmable flexible LED strip capable of delivering 440 lumens of light output per ft. Rated to last 50,000 hours making it an excellent replacement for traditional halogen lighting. Its low profile design makes it suitable for use in cove lighting, under cabinets, displays, showcases and architectural and aesthetic projects.

SPECIFICATIONS

INPUT VOLTAGE	24V DC
POWER CONSUMPTION	4.0W per foot
LUMEN OUTPUT	440 Lumens per foot
NO. OF LEDs	40 LEDs per foot
BEAM ANGLE	120°
CRI	95+
DIMMING	MLV, ELV, 0-10 and TRIAC
MAXIMUM RUN LENGTH	16 Feet
FIELD CUTTABLE	Every 2 in (12V)
IP RATING	IP65 wet location (outdoor)
LUMEN MAINTENANCE	50,000 hrs.
OPERATING TEMPERATURE	-40°F(-40°C)~+140°F(+60°C)
BINNING	1.5 Step Macadam Elipse
CERTIFICATIONS	UL listed, TITLE 24 JA8
DIMENSIONS	0.55" x 0.20 (width x height)

FEATURES

- 4.0W per Foot
- 440 Lumens per foot
- 95+ CRI
- California TITLE 24 JA8 compliant
- 110 lumens per watt
- Suitable for accent or ambient lighting
- Multiple CCT options available
- Superior COLOR RENDERING INDEX (CRI)
- UL Listed
- Dimmable with CORE Lighting dimmable drivers



	COLOR TEMP	CRI	LUMEN/FT
	2700K	94	400
	3000K	94	400
	3500K	94	400
	4000K	94	440
	5000K	95	440
	6000K	97	440

LSMW-40HF 4.0W Outdoor Flexible LED Strip

STANDARD ORDERING CODE

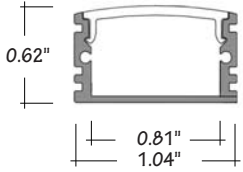
Model	Color Temp	Length	Voltage
LSMW-40HF	27K - 2700K	16 - 16.4 Ft.	24V - 24V DC
	30K - 3000K	25 - 25 Ft.	
	35K - 3500K	32 - 32 Ft.	
	40K - 4000K	PF - Per foot	
	50K - 5000K		
	60K - 6000K		

CUSTOMIZED LENGTH ORDERING CODE

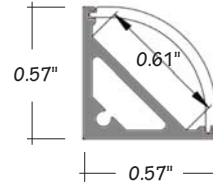
Model	Color Temp	Length	Voltage	Profile
LSMW-40HF	27K - 2700K	XX - Custom Length	24V - 24V DC	See p3
	30K - 3000K			
	35K - 3500K			
	40K - 4000K			
	50K - 5000K			
	60K - 6000K			

LSMW-40HF 4.0W Outdoor Flexible LED Strip

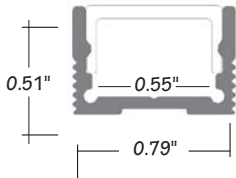
COMPATIBLE ALUMINUM PROFILES



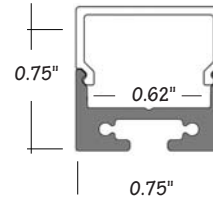
ALU-DS100 **SURFACE MOUNT**
LENGTHS 39³/₈" 78"
LENS Clear and Frosted
FINISH Anodized Aluminum



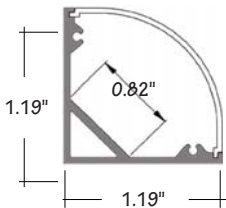
ALP-50C **SURFACE / CORNER**
LENGTHS 49.25" , 98.5"
LENS Frosted
FINISH Anodized Aluminum



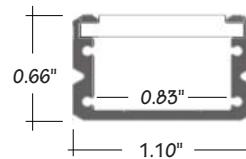
ALP-70 **SURFACE MOUNT**
LENGTHS 49.25" , 98.5"
LENS Frosted
FINISH Anodized Aluminum



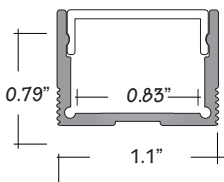
ALP-80 **SURFACE / SUSPENDED**
LENGTHS 49.25" , 98.5"
LENS Frosted
FINISH Anodized Aluminum



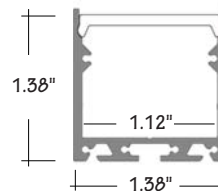
ALP-100C **SURFACE / CORNER**
LENGTHS 49.25" and 98.5"
LENS Frosted
FINISH Anodized Aluminum



ALP-90 **SURFACE MOUNT**
LENGTHS 48" and 96"
LENS Frosted
FINISH Anodized Aluminum



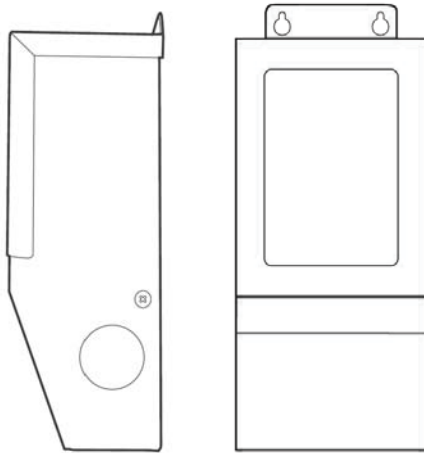
ALP-130 **SURFACE / SUSPENDED**
LENGTHS 49.25" and 98.5"
LENS Frosted
FINISH Anodized Aluminum



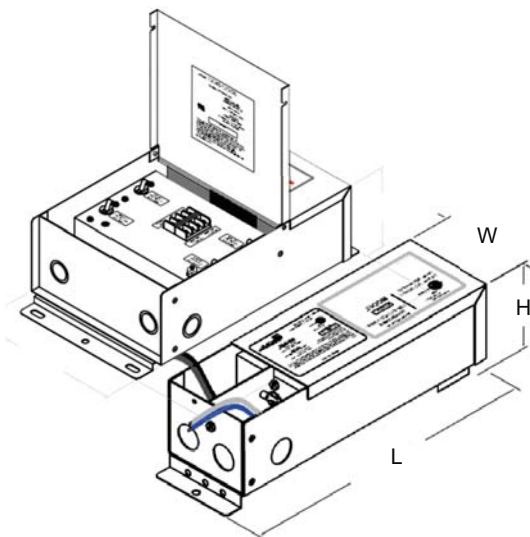
ALP-140 **SURFACE / SUSPENDED**
LENGTHS 49.25" and 98.5"
LENS Frosted
FINISH Anodized Aluminum

COMPATIBLE TRANSFORMERS

PSDM SERIES DIMMABLE MAGNETIC LOW VOLTAGE (MLV)



PSDM-20W-24V	CLASS 2	5.6" x 2" x 2.14"
PSDM-40W-24V	CLASS 2	5.6" x 2" x 2.14"
PSDM-60W-24V	CLASS 2	6.5" x 2.3" x 2.5"
PSDM-100W-24V	CLASS 2	6.5" x 2.3" x 2.5"
PSDM-150W-24V		9.8" x 3" x 3"
PSDM-192W-24V	CLASS 2	7.0" x 7.0" x 3.2"
PSDM-200W-24V		9.8" x 3" x 3"
PSDM-288W-24V	CLASS 2	9.8" x 4.2" x 3.5"
PSDM-300W-24V		7.0" x 7.0" x 3.2"



PSDH SERIES HIGH PERFORMANCE MLV

PSDH-48W-24V	CLASS 2	11.25" x 3.37" x 3.25"
PSDH-96W-24V	CLASS 2	11.25" x 3.37" x 3.25"
PSDH-288W-24V	CLASS 2	14.25" x 8.43" x 4.43"

COMPATIBLE TRANSFORMERS

PSDL SERIES TRIAC DIMMABLE



PSDL-30W-24V	CLASS 2	6.5"x 3.63"x 1.03"
PSDL-60W-24V	CLASS 2	7.4"x 3.63"x 1.03"
PSDL-96W-24V	CLASS 2	8.67"x 3.67"x 1.62"
PSDL-150W-24V		8.67"x 3.67"x 1.62"
PSDL-192W-24V		10.25"x 4.06"x 1.82"
PSDL-200W-24V		10.25"x 4.06"x 1.82"
PSDL-288W-24V		10.25"x 4.06"x 1.82"
PSDL-300W-24V		10.25"x 4.06"x 1.82"

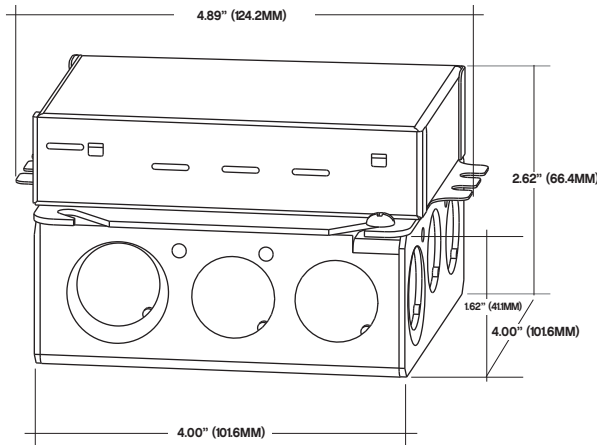
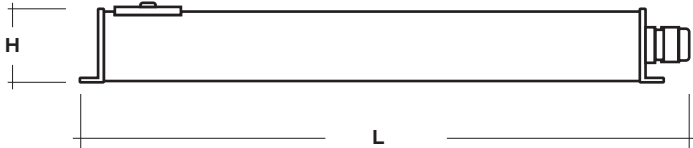


PSHK SERIES NON-DIMMING WITH JUNCTION BOX

PSHK-30W-24V-UNV	CLASS 2	6.5" X 3.6" X 1.02"
PSHK-60W-24V-UNV	CLASS 2	7.4" X 3.62" X 1.02"
PSHK-96W-24V-UNV	CLASS 2	8.66" X 3.66" X 1.61"
PSHK-150W-24V-UNV		10.24" X 4.06" X 1.81"
PSHK-200W-24V-UNV		10.24" X 4.06" X 1.81"
PSHK-300W-24V-UNV		10.94" X 4.25" X 1.81"

LSMW-40HF 4.0W Outdoor Flexible LED Strip

COMPATIBLE TRANSFORMERS

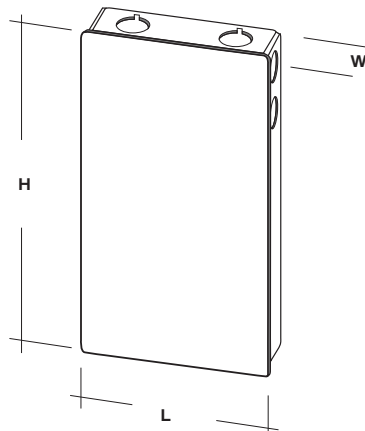


PSDE SERIES 0-10V DIMMING WITH JUNCTION BOX

PSDE-100W-24V-010-JB CLASS 2 12.32" x 1.77" x 1.67"

LUTRON 1% 2 OR 3-WIRE DIMMING

LTEA4U1UKL-CV240 CLASS 2 4.0" x 1.5" x 4.0"
L3DA4U1UKL-CV240 CLASS 2 4.0" x 1.5" x 4.0"



LUTRON 1%

PSDE-96W-24V-ECO CLASS 2 10.5" x 3.0" x 2.0"