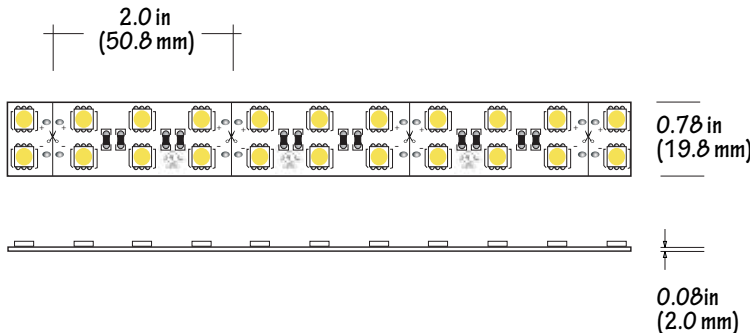


## SPECIFICATION SHEET

JOB NAME: \_\_\_\_\_  
 LOCATION: \_\_\_\_\_  
 QUOTE/REF#: \_\_\_\_\_



LSP80 Super High Output strip is designed to produce more than 720 lumens at 8.8 Watts per foot. These field cuttable LED strips are offered in a low profile design that can be attached almost anywhere and are great for many common lighting applications, such as cove lighting or cabinets. LSP-80 series produces a 160° light beam spread and is offered in different color temperatures to fit your specific needs. UL listed.

## SPECIFICATIONS

<b>INPUT VOLTAGE</b>	24V DC
<b>POWER CONSUMPTION</b>	8.8W per foot
<b>LUMEN OUTPUT</b>	720 Lumens per foot
<b>NO. OF LEDs</b>	36 LEDs per foot
<b>BEAM ANGLE</b>	120°
<b>CRI</b>	90+
<b>DIMMING</b>	MLV, ELV, 0-10V and TRIAC
<b>MAXIMUM RUN LENGTH</b>	24 Feet
<b>FIELD CUTTABLE</b>	Every 2.0 in (50.8MM)
<b>IP RATING</b>	IP45 dry location (indoor)
<b>LUMEN MAINTENANCE</b>	50,000 hrs.
<b>OPERATING TEMPERATURE</b>	-40°F(-40°C)~+140°F(+60°C)
<b>BINNING</b>	1.5 Step Macadam Elipse
<b>CERTIFICATIONS</b>	UL listed
<b>DIMENSIONS</b>	0.78" x 0.08 (width x height)

## FEATURES

- 8.8W per Foot
- 720 Lumens
- 90+ CRI
- Two rows of high-output diodes
- 24 Feet Maximum Run Length
- Ideal for accent and ambient lighting
- Multiple CCT options available
- UL Listed, Title 24 JA8 compliant
- Dimmable with CORE dimmable drivers

	COLOR TEMP	CRI	LUMEN/FT
--	------------	-----	----------



2500K	95	678
2700K	95	678
3000K	95	685
3500K	95	698
4000K	95	705
5000K	95	712
6000K	97	720



# LSP-80 8.8W Indoor Flexible LED Strip

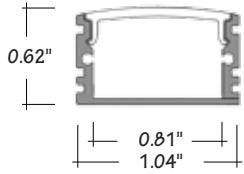
## STANDARD ORDERING CODE

Model	Color Temp	Length	Voltage
LSP-80	25K - 2500K 27K - 2700K 30K - 3000K 35K - 3500K 40K - 4000K 50K - 5000K 60K - 6000K	16 - 16.4 Ft. 100 - 100 Ft. PF - Per foot	24V - 24V DC

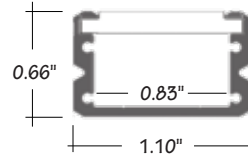
## CUSTOMIZED LENGTH ORDERING CODE

Model	Color Temp	Length	Voltage	Profile
LSP-80	25K - 2500K 27K - 2700K 30K - 3000K 35K - 3500K 40K - 4000K 50K - 5000K 60K - 6000K	XX - Custom Length	24V - 24V DC	See p3 for options

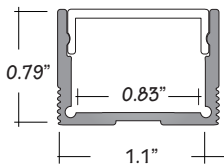
## COMPATIBLE ALUMINUM PROFILES



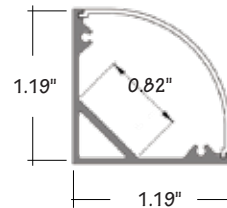
**ALU-DS100** **SURFACE MOUNT**  
**LENGTHS** 39<sup>3/8</sup>" 78<sup>7/8</sup>" 96"  
**LENS** Clear and Frosted  
**FINISH** Anodized Aluminum



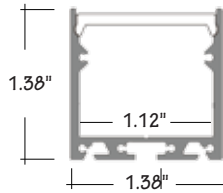
**ALP-90** **SURFACE MOUNT**  
**LENGTHS** 48" and 96"  
**LENS** Frosted  
**FINISH** Anodized Aluminum



**ALP-130** **SURFACE / SUSPENSION**  
**LENGTHS** 49.25" , 98.5"  
**LENS** Frosted  
**FINISH** Anodized Aluminum

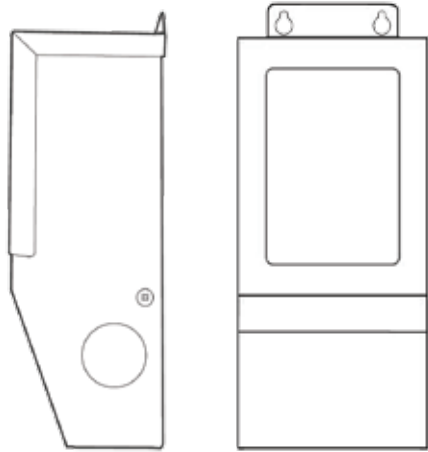


**ALP-100C** **SURFACE / CORNER**  
**LENGTHS** 49.25" , 98.5"  
**LENS** Frosted  
**FINISH** Anodized Aluminum



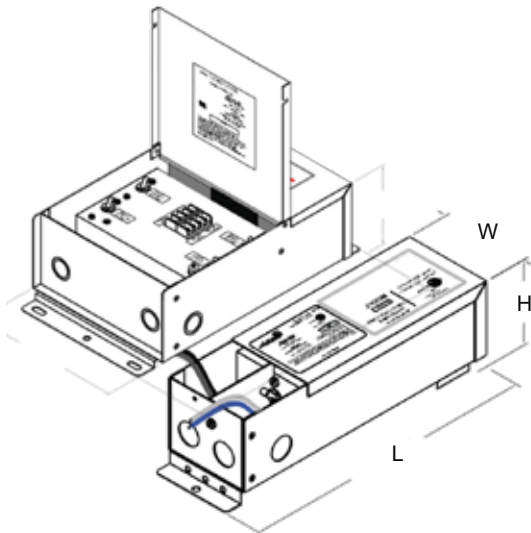
**ALP-140** **SURFACE / SUSPENSION**  
**LENGTHS** 49.25" , 98.5"  
**LENS** Frosted  
**FINISH** Anodized Aluminum

## COMPATIBLE TRANSFORMERS



### PSDM SERIES DIMMABLE MAGNETIC LOW VOLTAGE (MLV)

<b>PSDM-20W-24V</b>	CLASS 2	5.6" x 2" x 2.14"
<b>PSDM-40W-24V</b>	CLASS 2	5.6" x 2" x 2.14"
<b>PSDM-60W-24V</b>	CLASS 2	6.5" x 2.3" x 2.5"
<b>PSDM-100W-24V</b>	CLASS 2	6.5" x 2.3" x 2.5"
<b>PSDM-150W-24V</b>		9.8" x 3" x 3"
<b>PSDM-192W-24V</b>	CLASS 2	7.0" x 7.0" x 3.2"
<b>PSDM-200W-24V</b>		9.8" x 3" x 3"
<b>PSDM-288W-24V</b>	CLASS 2	9.8" x 4.2" x 3.5"
<b>PSDM-300W-24V</b>		7.0" x 7.0" x 3.2"



### PSDH SERIES HIGH PERFORMANCE MLV

<b>PSDH-48W-24V</b>	CLASS 2	11.25" x 3.37" x 3.25"
<b>PSDH-96W-24V</b>	CLASS 2	11.25" x 3.37" x 3.25"
<b>PSDH-288W-24V</b>	CLASS 2	14.25" x 8.43" x 4.43"

## COMPATIBLE TRANSFORMERS



### PSDL SERIES TRIAC DIMMABLE

PSDL-30W-24V	CLASS 2	6.5"x 3.63"x 1.03"
PSDL-60W-24V	CLASS 2	7.4"x 3.63"x 1.03"
PSDL-96W-24V	CLASS 2	8.67"x 3.67"x 1.62"
PSDL-150W-24V		8.67"x 3.67"x 1.62"
PSDL-192W-24V		10.25"x 4.06"x 1.82"
PSDL-200W-24V		10.25"x 4.06"x 1.82"
PSDL-288W-24V		10.25"x 4.06"x 1.82"
PSDL-300W-24V		10.25"x 4.06"x 1.82"

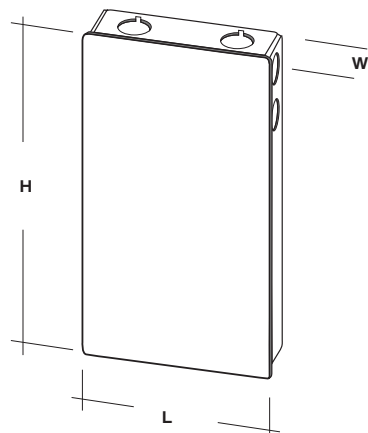
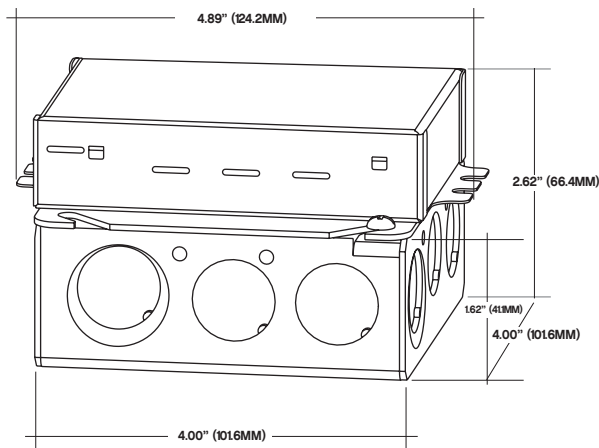
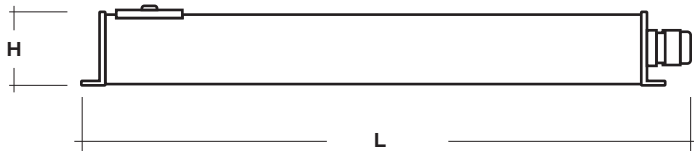
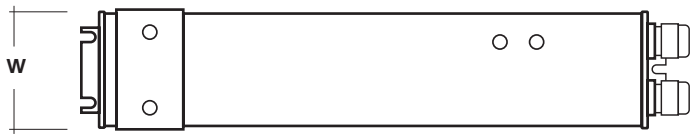


### PSHK SERIES NON-DIMMING WITH JUNCTION BOX

PSHK-30W-24V-UNV	CLASS 2	6.5" X 3.6" X 1.02"
PSHK-60W-24V-UNV	CLASS 2	7.4" X 3.62" X 1.02"
PSHK-96W-24V-UNV	CLASS 2	8.66" X 3.66" X 1.61"
PSHK-150W-24V-UNV		10.24" X 4.06" X 1.81"
PSHK-200W-24V-UNV		10.24" X 4.06" X 1.81"
PSHK-300W-24V-UNV		10.94" X 4.25" X 1.81"

# LSP-80 8.8W Indoor Flexible LED Strip

## COMPATIBLE TRANSFORMERS



### PSDE SERIES 0-10V DIMMING WITH JUNCTION BOX

**PSDE-100W-24V-010-JB** CLASS 2 12.32" x 1.77" x 1.67"

### LUTRON 1% 2 OR 3-WIRE DIMMING

**LTEA4U1UKL-CV240** CLASS 2 4.0" x 1.5" x 4.0"

**L3DA4U1UKL-CV240** CLASS 2 4.0" x 1.5" x 4.0"

### LUTRON 1%

**PSDE-96W-24V-ECO** CLASS 2 10.5" x 3.0" x 2.0"